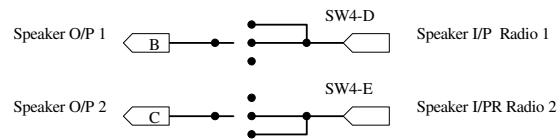


Radio 1 PTT
Radio 2 PTT

Optional Circuit to transmit on two radios at once or select one at a time. Headphone mixer follows microphone. Left Radio 1, right radio 2. Uses a multi bank lever switch.



D

D

C

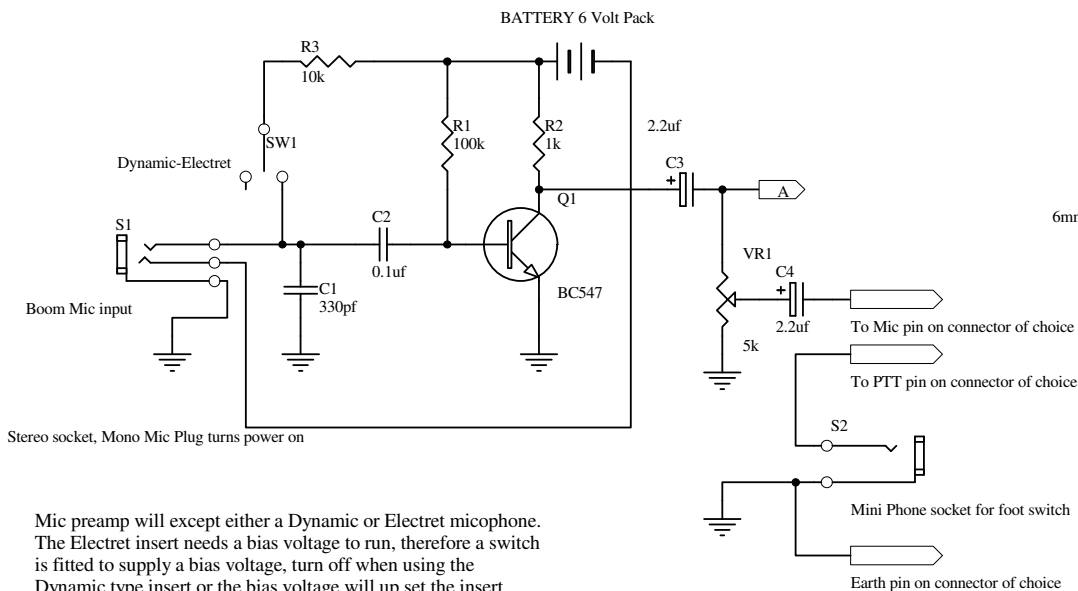
C

B

B

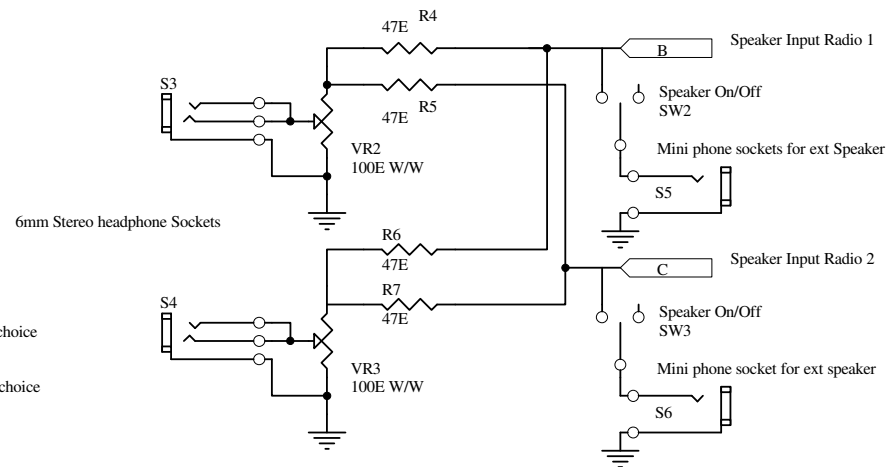
A

A



Mic preamp will accept either a Dynamic or Electret microphone. The Electret insert needs a bias voltage to run, therefore a switch is fitted to supply a bias voltage, turn off when using the Dynamic type insert or the bias voltage will up set the insert. Electret inserts will have much more gain than the Dynamic, so markers should be marked on the panel as to general operating areas for both inserts.

To set the preamp levels:
Use the standard microphone with the radio and monitor the transmitted output with another radio. Replace this with the preamp and set the output level to sound the same, be aware of overdriving the mic input as it will sound distorted when transmitting through a repeater with narrow bandwidth.



Value of R4-R7 may vary depending on headphone impedances and also speaker impedances. Set these so as the speaker level when switched on is the desired level when the headphones are also being used.

Title		
Boom Mic Preamp and Headphone Mixer		
Size	Number	Revision
A4	Richard Gamble ZLIBNQ	
Date:	11-Dec-2008	Sheet of
File:	C:\DOCUME~1\GAMBLER\MYDOCU~1\PCBFILES\BOOMMIC.SCH	