



## Western Suburbs Radio Club Inc.

### February 2007 Newsletter

ZL1AC, Branch 03 NZART 3000 Great North Road New Lynn, PO Box 15-122, New Lynn.

President: Andrew Barnett ZL2ALW, Secretary: Ross Reddell ZL1VRR

Newsletter Editor – John Neill ZL1NE

VHF Club Net Wednesday 07:30pm 146.525 MHz, HF Club Net Fridays 07:30pm 3.623 MHz

Website <http://www.qsl.net/zl1ac>

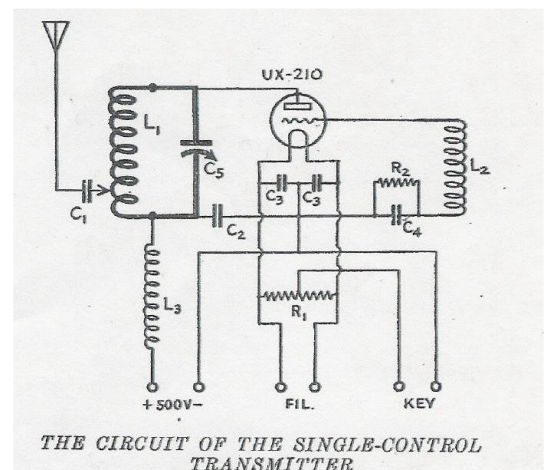
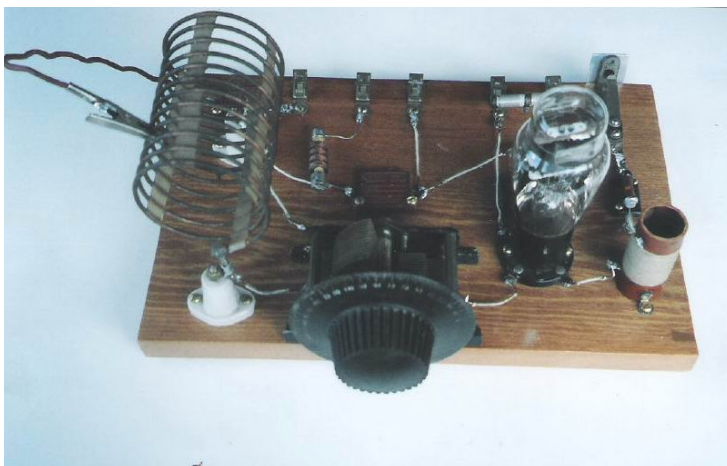


### Club Calendar

Monday	12 <sup>th</sup>	February	WSRC Monthly Club Night -
Saturday	24 <sup>th</sup>	February	National HF Field Day
Sunday	25 <sup>th</sup>		
Saturday	3 <sup>rd</sup>	March	Te Puke Used Equipment Sale – See below for details

### February Club Meeting

The guest speaker for the next meeting, February 12<sup>th</sup> is Barry ZL1ACZ. The talk and demonstration will be about the Windom antenna and a replica one valve transmitter based on that in the 1931 ARRL Handbook. The working replica is constructed with authentic parts from the early 1930's. Come and see it in operation, see how a bright emitter valve really glows and for a bit of nostalgia. The Circuit Diagram and a picture of the transmitter are shown below.



Before Barry gives his talk we will be installing a UHF high gain TV antenna to receive the TV signal from Ch 39 ATV. This can only be done while it remains light at night.

### Western Suburbs Radio Club Annual General Meeting

WSRC AGM is to be held on Monday 12th March at 1930 hrs, for the election of club officers for the next term 2007/8 year. We have names for President, Vice-President, Secretary and Treasurer, We need to have some committee members, about three or four. Think about this and put your name forward. We want to be a club that is moving forward! The club committee night is to be changed to a Wednesday night at 1930 hrs at the clubrooms. If you would like to stand please ring Andrew ZL2ALW at 816-8008 or Ross at 629-0504 showing your interest.

## **Branch 66 VHF Radio Club**

The VHF club Br 66 has problems with not getting nominations for their top position at their AGM in November 2006. A special notice has been given that a special ordinary meeting has been called to settle these matters on Monday 19th February 2007 at 1930 hrs or the alternative is to wind up the club under its rules. WATCH THIS SPACE !

## **ATV Project**

After our AGM on 12th March we will be erecting an ATV Antenna for transmission to the Ch 39 repeater in the Waitakere Ranges. More details on this latter. We have a curtain track ready to be installed at the front of the club rooms, as a back drop for our TV studio. Things are happening, even if at a some what slow pace.

## **Te Puke Amateur Radio Club**

The Te Puke Amateur Radio Club is to hold their Annual Junk Sale at the Paengaroa Community Hall on Saturday March 3rd 2007. Vendors from 0630am. Buyers from 10am . Contact for tables are Syd Rowe Sec/Tres 07-533-1029 or e-mail [sydrowe45@hyper.net.nz](mailto:sydrowe45@hyper.net.nz). A cooked breakfast is available from 8am onwards.

## **Club Bulletins**

There are a number of Club bulletins available to read on what is happening round the branches. Avail yourself of them and read the articles enclosed. Eg QUA, FARC, br10, HARC, br 80, SARC (inc) br 86, Auckland VHF br 66, Auckland ZL1AA Br 02.

## **Field Day**

It looks like at this stage WSRC will not be running a field station in this years National Field Day on 24/25th February 2007 as there appears to be no interest from club members to participate. We will not give up. If you want to be part on the club station representing ZL1AC then ring Ross ZL1VRR on 629-0504 or e-mail at [ross.reddell@xtra.co.nz](mailto:ross.reddell@xtra.co.nz) showing your interest.

## **HORSE RIDING ENDURANCE EVENT HELD AT FLETCHER ROAD 13th / 14th January 2007.**

Organisation and planning began a month earlier for this event with operators required for the two-day event based at Fletcher Rd Muriwai. There were six events over the two days ranging from two 50km rides with one being an endurance, where the fastest horse wins over the course, the other a CTR where the horse and rider have a time to run too with penalties for early or late arrival. A vet check can rule a horse out if the rider can not get it's heart beat down, in the allotted time of forty five minutes. It has to trot up past the judge to see that it is not lame or sore footed also. Two other events were run with one being a 30km CTR and the other endurance. These races all started with in ¾ hour of each other. Sunday they ran a 80km endurance, starting time was 0630 am and a 20 km fun run which began at 1100 am.

On Saturday prior to the start, the repeater was placed on a hill adjacent to the farm woolshed where base was located. The base was put together with the aid of a couple of tables and powered up. The woolshed had power that we used. Everything was checked out, so after a brief instruction the check points headed out into the forest radioing their position as they travelled to each check point. The racing did not start till noon. We set up our flow chart on a pinex board and waited for inward messages from the checkpoints.

The team consisted of eight people with ZL1VRR, ZL2ALW, ZL1TO, ZL1LL, ZL1BFB, ZL1TRH, ZL1PZ, ZL1OO, ZL1BBZ, with six operators being needed each day. Our equipment included a Yaesu transceiver and a GM 300 at base with separate antenna for each. The checkpoints all had fixed radios in their cars. We used the clubs STSP repeater running on 146.9250, negative split -600. This was our primary frequency, but we could change to 146.9250 simplex if the repeater failed. The GM300 was set for our AREC frequency 145.1250 and used in conjunction with the F3 Hand-helds at the Organisers tent, and the official start finish line. All communications worked well on both days after a small adjustment to the repeater antenna. All horses were accounted for at the end of each day. Thanks to all who helped.

**Activity From the Horse Endurance Event**



Base was located in the woolshed



Andrew ZL2ALW at base



Yaesu FT 5200 Base Station Radio



Betti plotting horse progress from Radio reports



Horse trotting round for vet check



Karen – Horse Course Setter.

**Elections 2007 For NZART  
From the Returning Officer:**

Elections will be held in February 2007 for the following positions on the NZART Council: President, Councillors representing the Northern Electoral District and Councillors representing the Midlands Electoral District.  
Nominations have been received as follows:

**President (1 Required)**

Bruce Douglas	ZL2WP
Roy Symon	ZL2KH

**Northern Electoral District (3 required)**

Peter Bennet	ZL1UPB
Tony Case	ZL1UD
Brian Farrell	ZL1HN
Vaughan Henderson	ZL1TGC
Noel Rowe	ZL3GR

**Midlands Electoral District (2 Required)**

John Hirtzel	ZL3ADF
Keith Stanton	ZL3QH
Stewart Watchman	ZL2TW

**No Elections are required in the following electoral Districts as the nominations received equal the number of councillors required.**

**Central Electoral District**

John Andrews	ZL2HD
Mark Gooding	ZL2UFI
Roy Symon	ZL2KH

**Southern Electoral District**

John Lochhead	ZL4QS
---------------	-------

Those entitled to vote who receive Break-In will receive their voting papers, instructions and envelopes with the January/February edition of Break-In. Other Association members who do not receive a personal issue of Break-In, but are entitled to vote will have the respective papers and envelopes mailed to them.

\*\*\*\*\*

**Club Nets**

VHF Net 146.525 MHz 7:30pm every Wednesday, HF Net 3623 KHz +/- QRM/QRN 7:30pm every Friday. All are welcome to check in on the nets. The full HF Net Roster can be found on <http://www.qsl.net/zl1ac/wsrc-hf-roster.html>.

<b>2-Feb-07</b>	<b>ZL1ACZ</b>	<b>Barry</b>
<b>9-Feb-07</b>	<b>ZL1WI</b>	<b>Roy</b>
<b>16-Feb-07</b>	<b>ZL1VRR</b>	<b>Ross</b>
<b>23-Feb-07</b>	<b>ZL1MW</b>	<b>Brian</b>
<b>2-Mar-07</b>	<b>ZL1JL</b>	<b>John</b>
<b>9-Mar-07</b>	<b>ZL1NE</b>	<b>John</b>
<b>16-Mar-07</b>	<b>ZL1ACZ</b>	<b>Barry</b>
<b>23-Mar-07</b>	<b>ZL1WI</b>	<b>Roy</b>
<b>30-Mar-07</b>	<b>ZL1VRR</b>	<b>Ross</b>