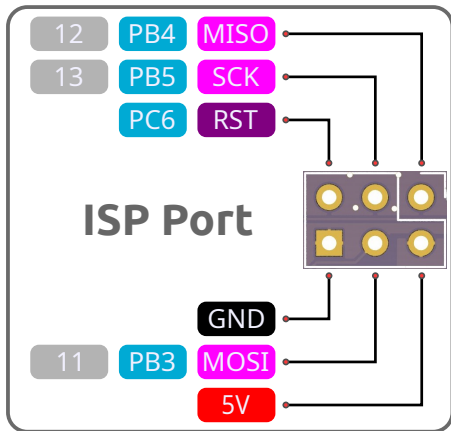


GroundStudio Jade NANO+

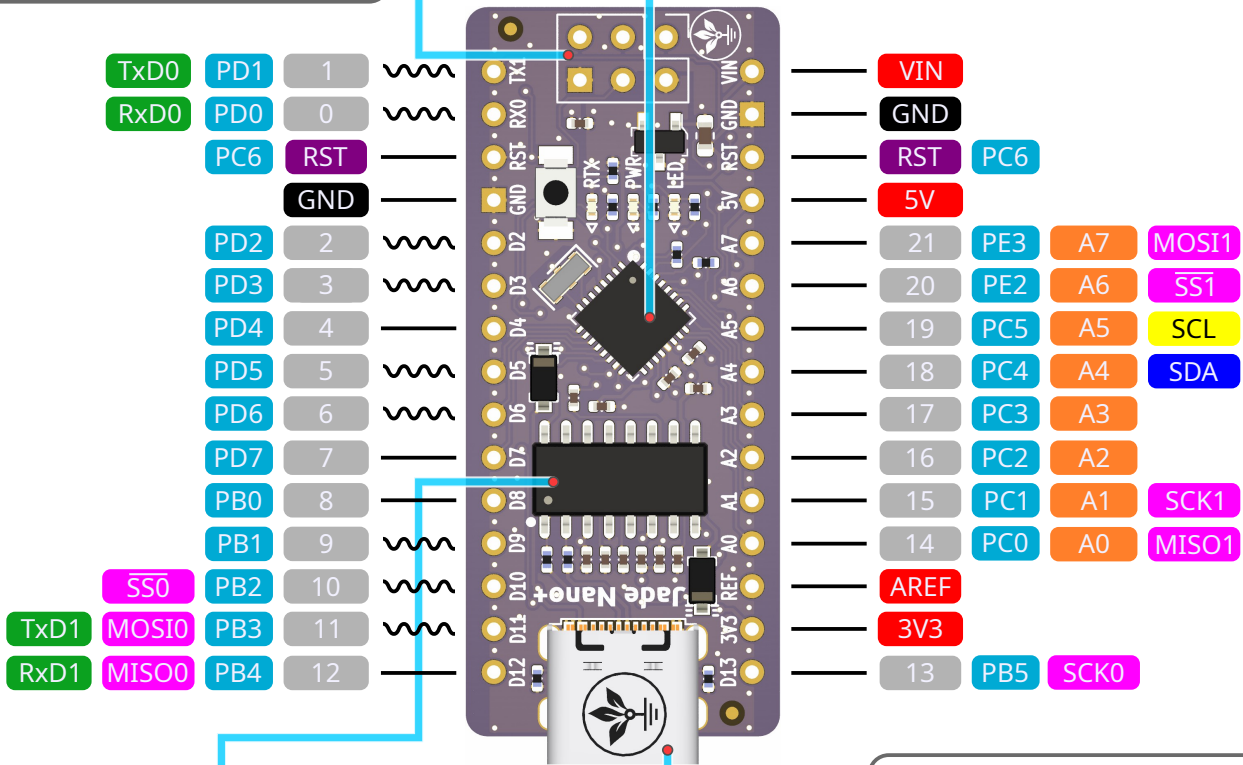
ATMEGA328PB based development board featuring picoPower® technology for better power management, Peripheral Touch Controller (PTC), **32kBytes** of In-System Self-Programmable **Flash** program memory, **1kBytes EEPROM**, **2kBytes Internal SRAM**, **9 PWM Channels**, **22 Digital Pins**, **2 USART**, **2 SPI**, **I²C** and **8 channel 10 bit ADC Pins**



ATMEGA328PB
The ATmega328PB is a high-performance 8-Bit microcontroller with enhanced RISC architecture

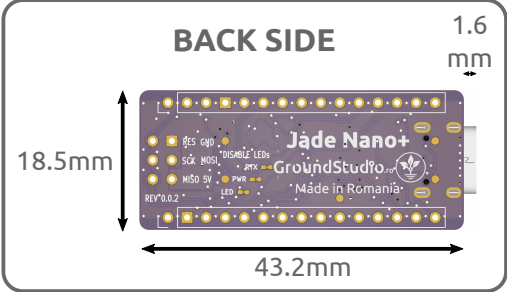
COLOR DIAGRAM

- Digital Pin Number
- uController Pin
- ADC Channel
- SCL
- SDA
- SPI
- USART Pins
- Ground
- Power
- Others
- ⤴ PWM Enabled Pin



USB DRIVER
HT42B534 with built-in 12MHz clock generator . Implements Human Interface Device (HID) protocol for user configure USB VID, PID and device description strings

USB C
USB 2.0 type C for double-sided connection



Board: GroundStudio Jade Nano+ RZLLCW_GS REV0.0.2
Credits: "Arduino Nano V3.3" by Arduino

Copyright: ARDUSHOP SRL 2022
License: CC BY-SA 4.0 Attribution-ShareAlike 4.0 International
Pinout REV: 1