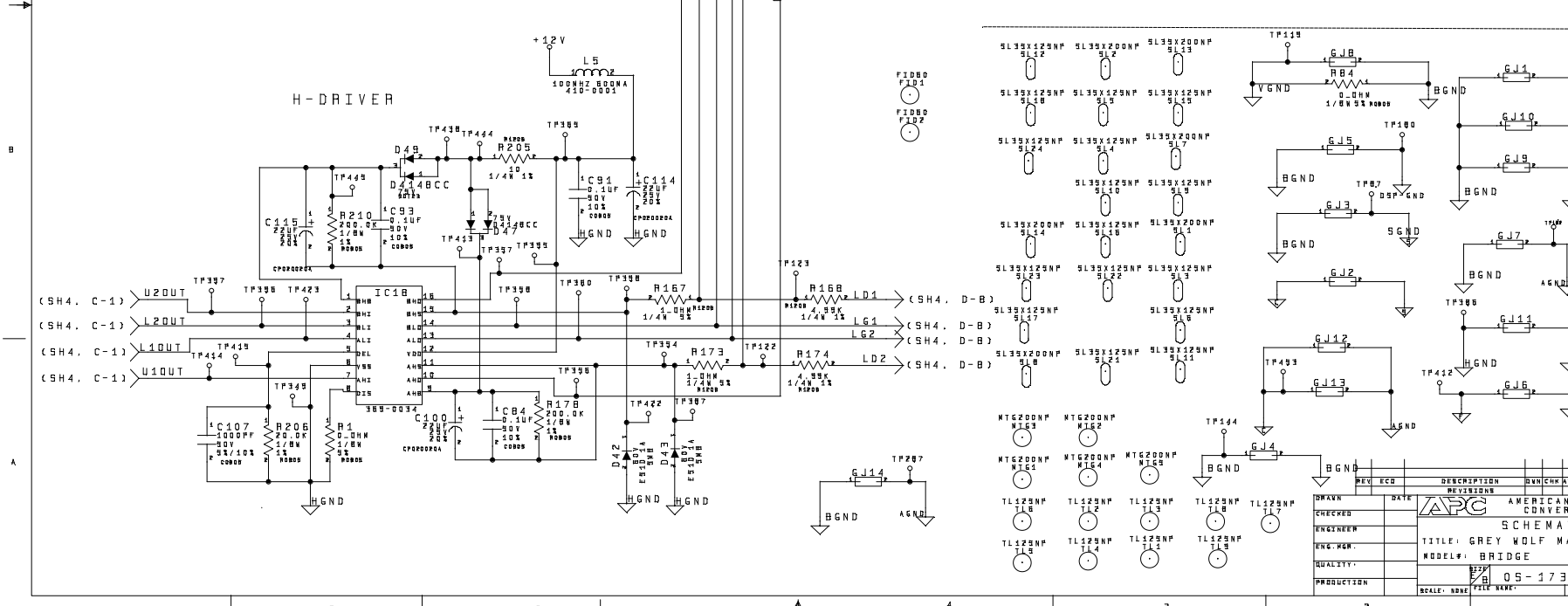
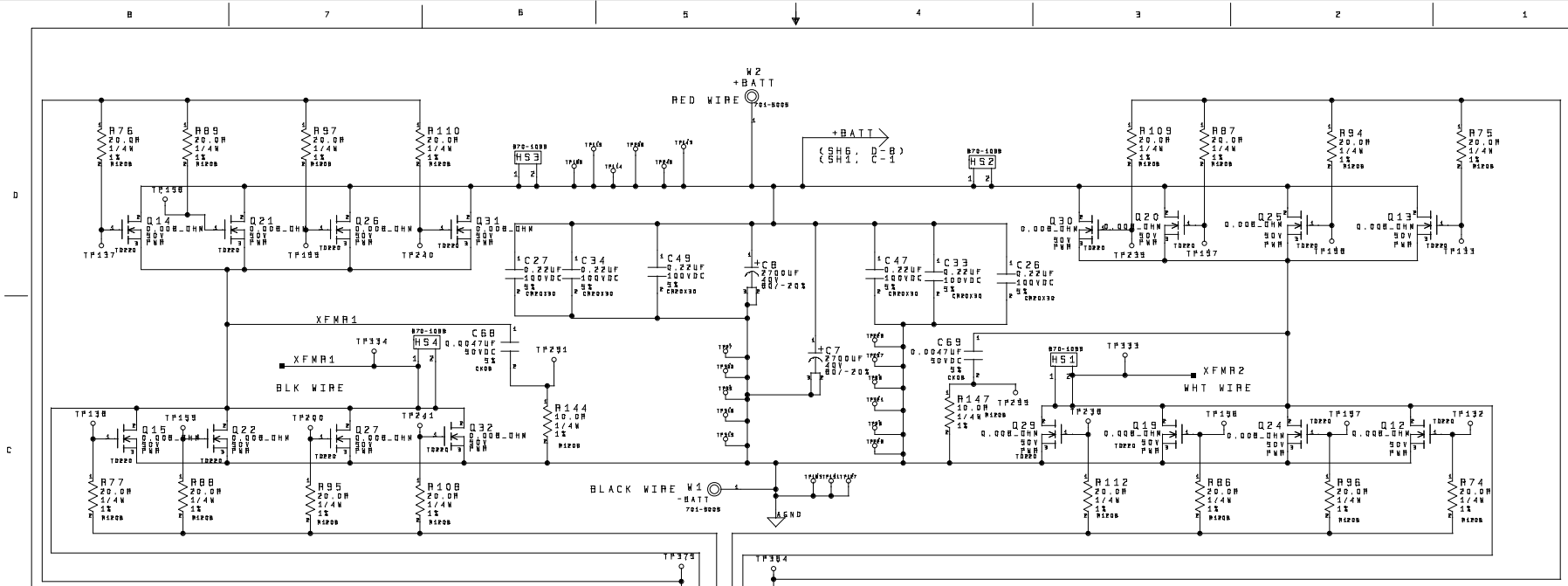


THIS DRAWING IS THE PROPERTY OF AMERICAN POWER CONVERSION, INC. IT IS TO BE USED ONLY FOR THE PROJECT AND QUANTITY SPECIFIED IN THE ORDER. IT IS NOT TO BE REPRODUCED OR TRANSMITTED IN ANY FORM OR BY ANY MEANS, ELECTRONIC OR MECHANICAL, INCLUDING PHOTOCOPYING, RECORDING, OR BY ANY INFORMATION STORAGE AND RETRIEVAL SYSTEM. THE EMPLOYEE OR AGENT OF ANY OTHER PARTY WHO MAY BE IN POSSESSION OF THIS DRAWING IS NOT TO BE PERMITTED TO REPRODUCE OR TRANSMIT IT IN ANY MANNER.



REV	ECO	DESCRIPTION	BY	CHKD	APVL	DATE																								
<table border="1"> <tr> <td>DRAWN</td> <td>DATE</td> <td>REVISIONS</td> <td>AMERICAN POWER CONVERSION</td> </tr> <tr> <td>CHECKED</td> <td></td> <td></td> <td></td> </tr> <tr> <td>ENGINEER</td> <td></td> <td></td> <td></td> </tr> <tr> <td>ENG. PKG.</td> <td></td> <td></td> <td></td> </tr> <tr> <td>QUALITY</td> <td></td> <td></td> <td></td> </tr> <tr> <td>PRODUCTION</td> <td></td> <td></td> <td></td> </tr> </table>							DRAWN	DATE	REVISIONS	AMERICAN POWER CONVERSION	CHECKED				ENGINEER				ENG. PKG.				QUALITY				PRODUCTION			
DRAWN	DATE	REVISIONS	AMERICAN POWER CONVERSION																											
CHECKED																														
ENGINEER																														
ENG. PKG.																														
QUALITY																														
PRODUCTION																														
TITLE: GREY WOLF MAIN PCB			REV: 15																											
MODEL#: BRIDGE																														
SCALE: NONE																														
FILE NAME: 05-1732E			SHEET 3 OF 5																											

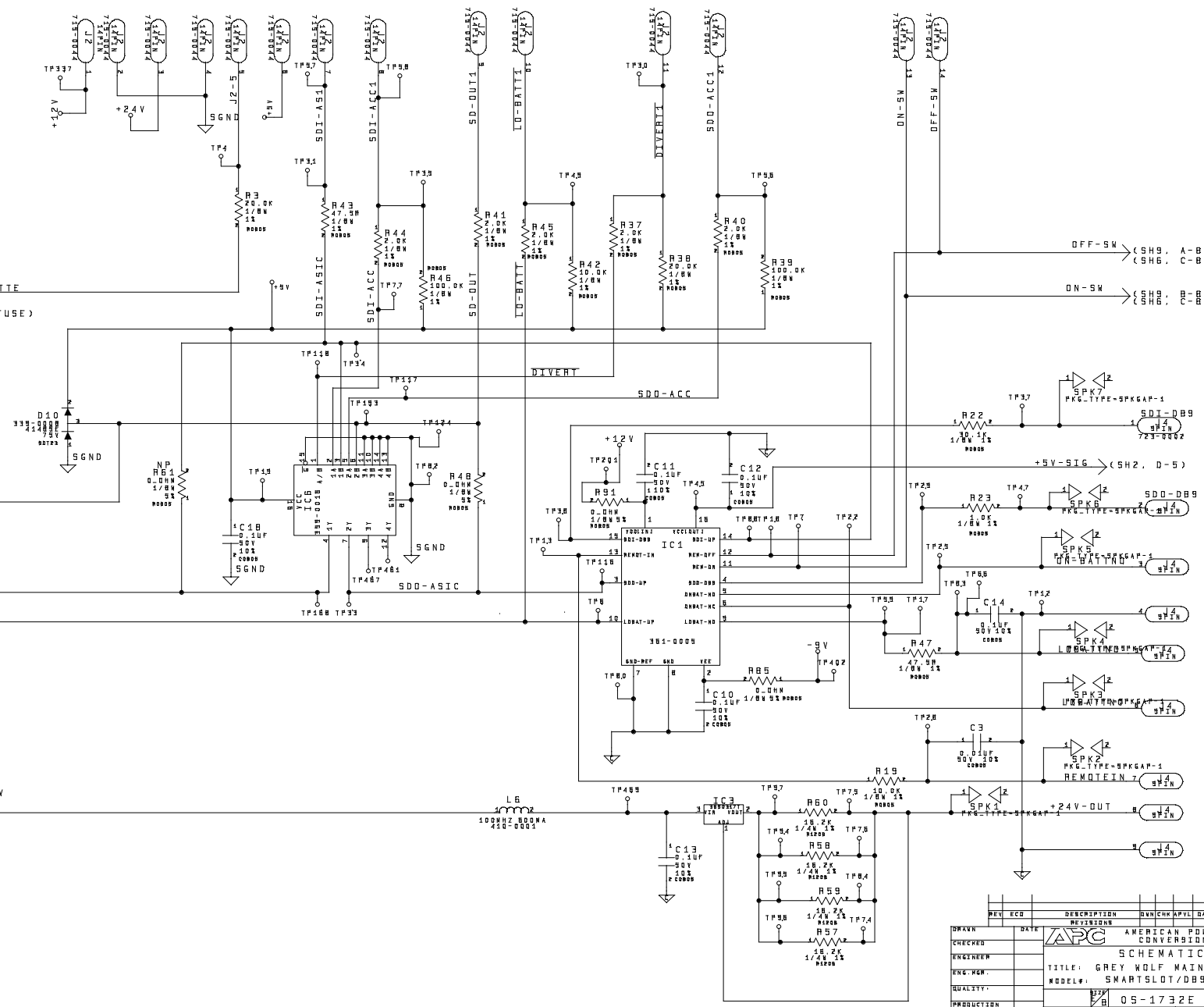
Pin	J2A	14PIN
1	SGND	
2	+2.4V	
3	+2.4V	
4	+2.4V	
5	+2.4V	
6	+2.4V	
7	+2.4V	
8	+2.4V	
9	+2.4V	
10	+2.4V	
11	+2.4V	
12	+2.4V	
13	+2.4V	
14	+2.4V	

719-0043

+BATT F
 {SH6, D-1}
 (SHORT to +BATT thru FUSE)

(SH2, B-B) SD-DUT
 (SH2, B-B) RXD
 (SH2, C-1) LU-BATT

(SH6, D-2) +2.4V

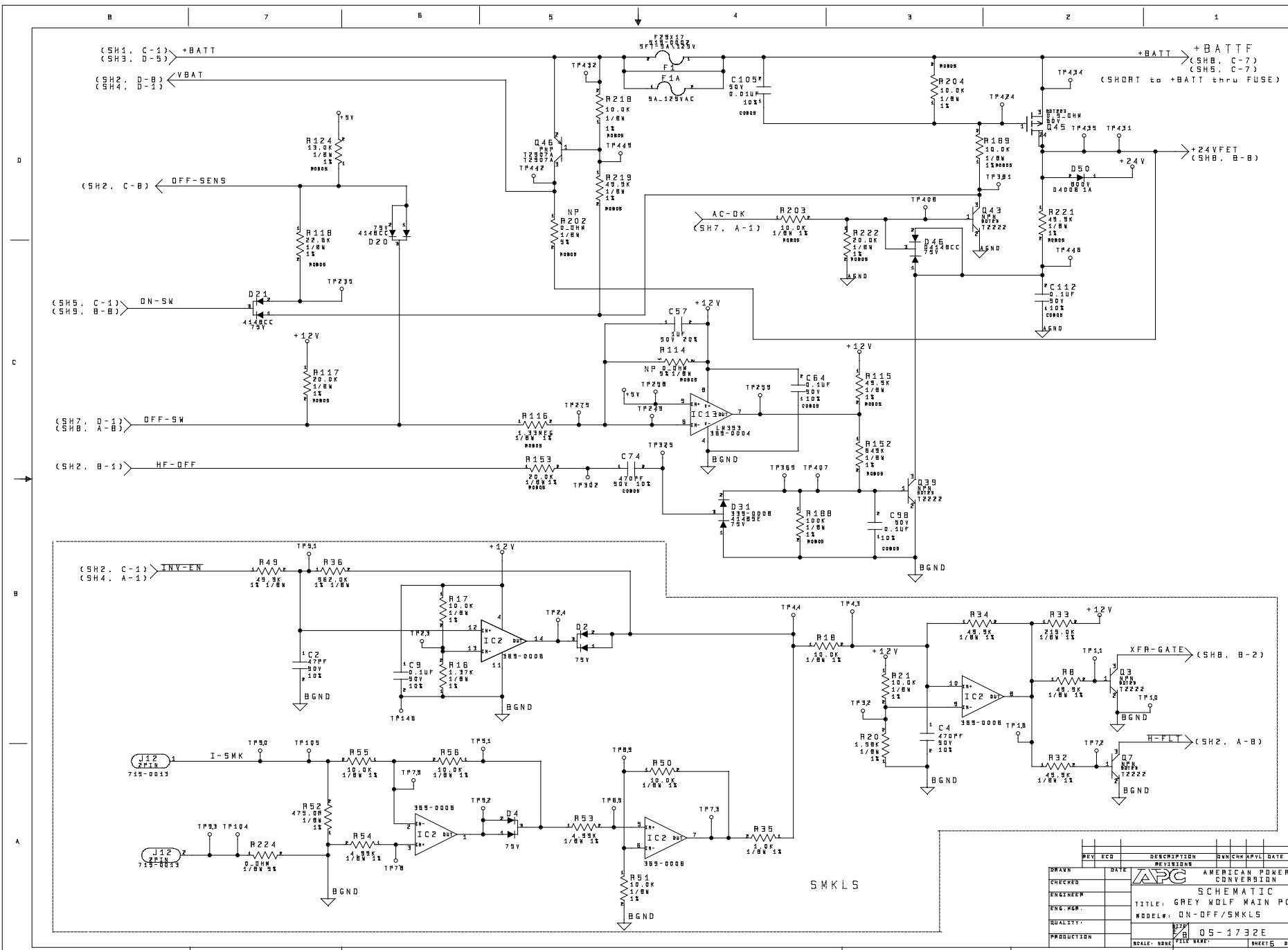


REV	ECO	DESCRIPTION	DATE	APV	DATE
		REVISIONS			
		AMERICAN POWER			
		CONVERSION			
		SCHMATIC			
		TITLE: GREY WOLF MAIN PCB			
		MODEL#: SMARTSLOT/DB9			
		QUALITY:			
		PRODUCTION			
		SCALE: NONE			
		FILE NAME:			

05-1732E

1 9 / 3 / 99

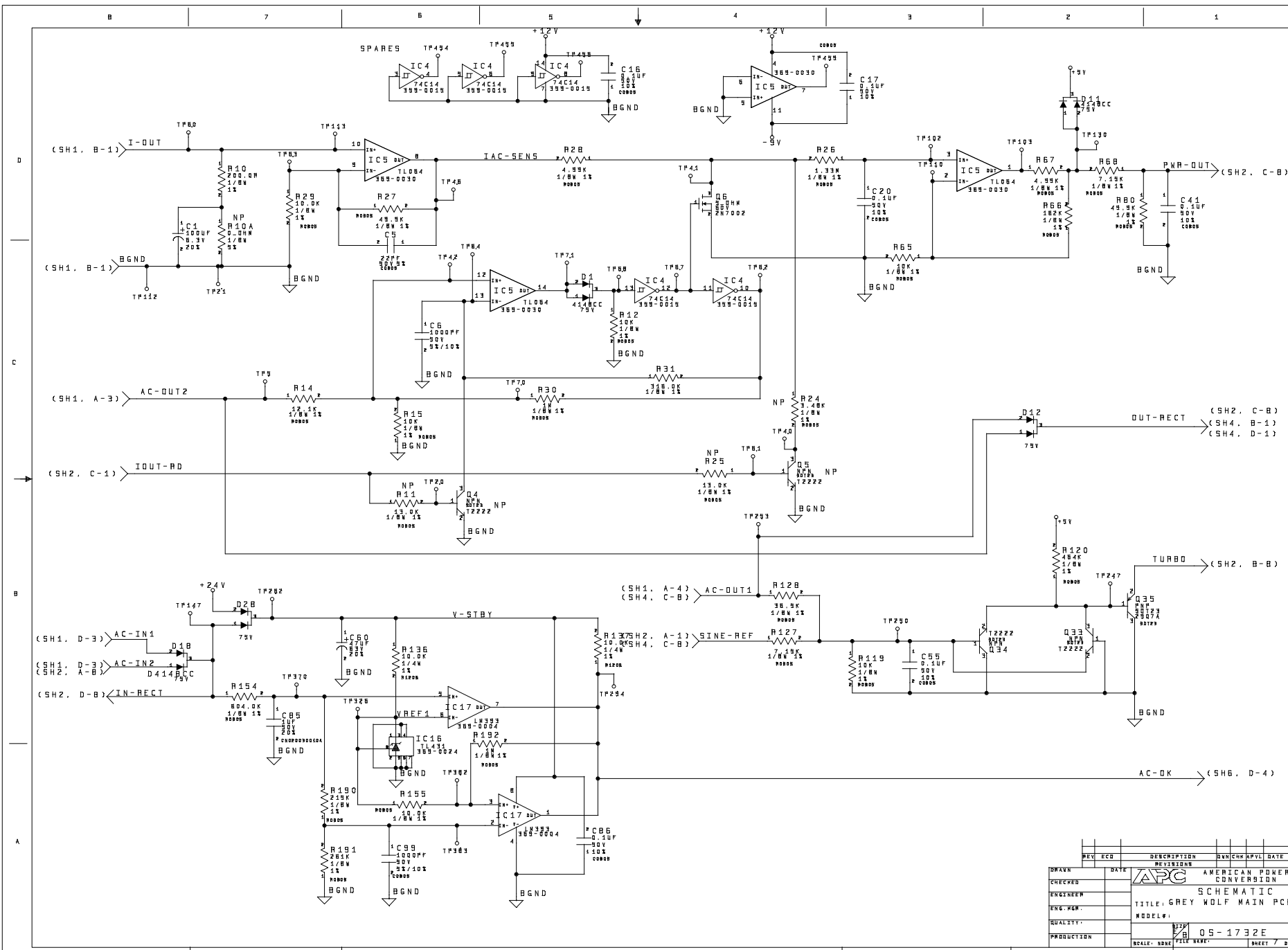
THIS DOCUMENT IS THE PROPERTY OF AMERICAN POWER CONVERSION. IT IS TO BE USED ONLY FOR THE PROJECT AND FOR WHICH IT WAS DESIGNED. IT IS NOT TO BE REPRODUCED OR TRANSMITTED IN ANY FORM OR BY ANY MEANS, ELECTRONIC OR MECHANICAL, INCLUDING PHOTOCOPYING, RECORDING, OR BY ANY INFORMATION STORAGE AND RETRIEVAL SYSTEM, WITHOUT THE WRITTEN PERMISSION OF AMERICAN POWER CONVERSION.



THIS DOCUMENT IS UNCLASSIFIED EXCEPT WHERE SHOWN OTHERWISE. IT IS THE PROPERTY OF THE U.S. GOVERNMENT AND IS LOANED TO YOUR ORGANIZATION; IT AND ITS CONTENTS ARE NOT TO BE DISTRIBUTED OUTSIDE YOUR ORGANIZATION.

SMKLS

REV	ECO	DESCRIPTION	DRN	CHK	APVL	DATE
		REVISIONS				
		AMERICAN POWER				
		CONVERSION				
DRWN		DATE				
CHKD						
ENGR		TITLE: GREY WOLF MAIN PCB				
ENGR		MODEL#: DN-OFF/SMKLS				
QUALTY		05-1732E				REV 5
PRODUCTION		SCALE: NONE			FILE NAME:	SHEET 5 OF 5



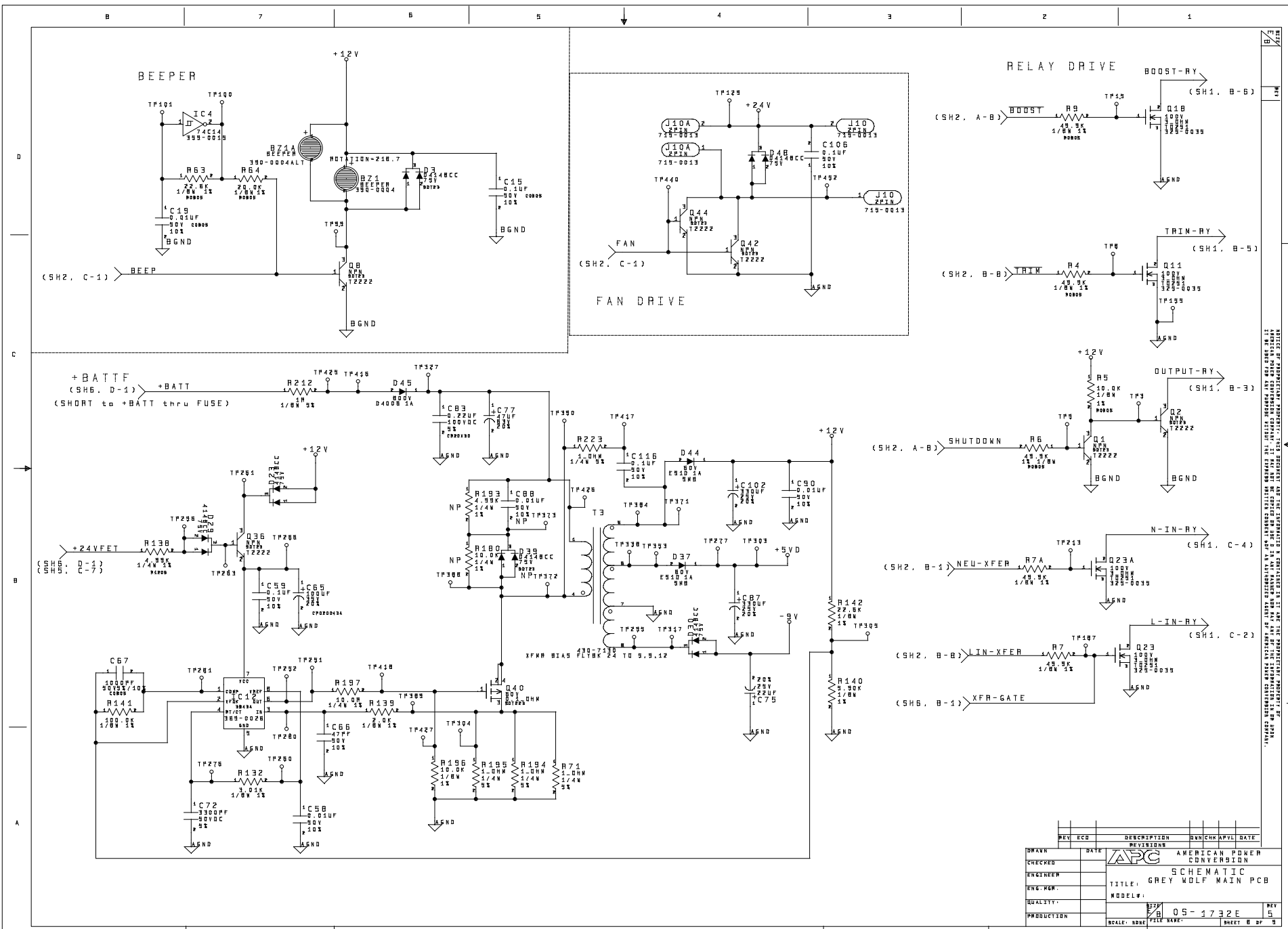
REVISIONS

REV	ECO	DESCRIPTION	DATE	BY	CHKD	APVL
1		SCHEMATIC				

DRAWN: [] DATE: []
 CHECKED: []
 ENGINEER: []
 TITLE: GREY WOLF MAIN PCB
 MODEL #: []
 QUALITY: []
 PRODUCTION: []

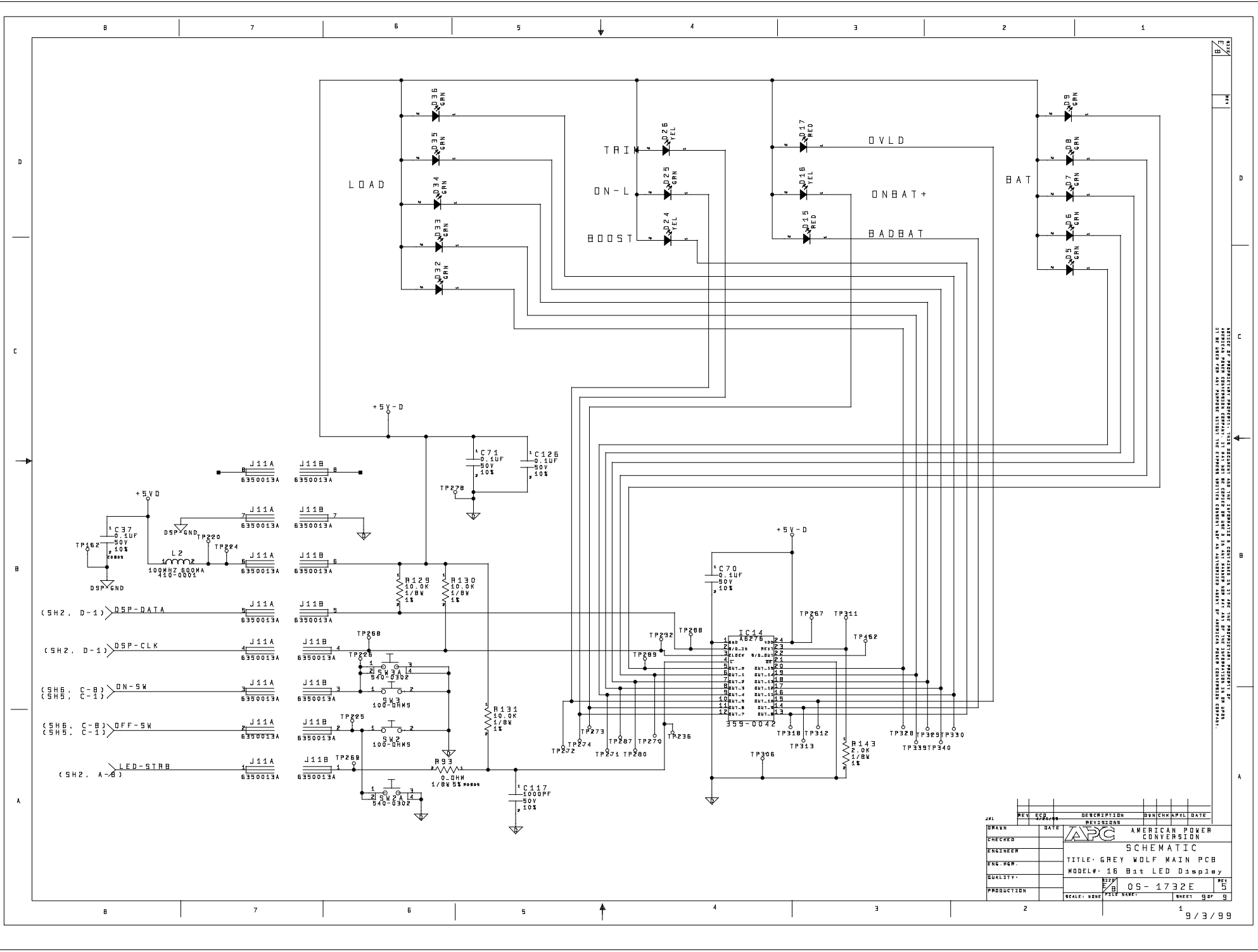
SCALE: NONE FILE NAME: [] SHEET 7 OF 9

9/3/99



THIS DRAWING IS THE PROPERTY OF AMERICAN POWER CONVERSION, INC. IT IS TO BE USED ONLY FOR THE PROJECT AND FOR THE QUANTITY OF DEVICES SPECIFIED IN THE ORDER. IT IS NOT TO BE REPRODUCED OR TRANSMITTED IN ANY FORM OR BY ANY MEANS, ELECTRONIC OR MECHANICAL, INCLUDING PHOTOCOPYING, RECORDING, OR BY ANY INFORMATION STORAGE AND RETRIEVAL SYSTEM. THE COMPANY ASSUMES NO LIABILITY FOR DAMAGES OF ANY KIND ARISING FROM THE USE OF THIS DRAWING.

REV	ECO	DESCRIPTION	BY	CHKD	APVL	DATE
REVISIONS AMERICAN POWER CONVERSION						
DRAWN		DATE				
CHECKED		TITLE: GREY WOLF MAIN PCB				
ENGINEER		MODEL#:				
QUALITY		REV 5				
PRODUCTION		SHEET 8 OF 9				



REV	DATE	DESCRIPTION	BY	CHK	APVL	DATE
1						

DRAWN	DATE	REVISIONS	AMERICAN POWER CONVERSION
CHECKED			
ENGINEER			
ENG. NO.			
QUALITY			
PRODUCTION			

TITLE: GREY WOLF MAIN PCB	REV 5
MODEL#: 16 Bat LED Display	
05-1732E	
SCALE: NONE	SHEET 05/9

THIS DOCUMENT IS THE PROPERTY OF AMERICAN POWER CONVERSION. IT IS TO BE USED ONLY FOR THE PROJECT AND FOR WHICH IT WAS DESIGNED. IT IS NOT TO BE REPRODUCED OR TRANSMITTED IN ANY FORM OR BY ANY MEANS, ELECTRONIC OR MECHANICAL, INCLUDING PHOTOCOPYING, RECORDING, OR BY ANY INFORMATION STORAGE AND RETRIEVAL SYSTEM, WITHOUT THE WRITTEN PERMISSION OF AMERICAN POWER CONVERSION.