

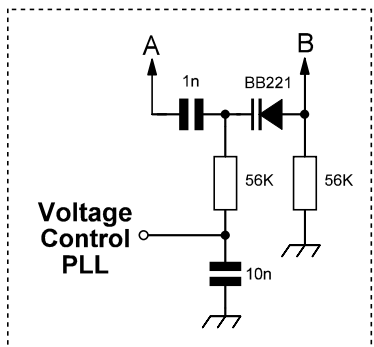
Butler oscillator

Multiplier x3

Band pass filter 116MHz

Output Amplifier

Low pass filter



116MHz Oscillator
yo4hfu

L1=6t, 4mm, tap 1 3/4, wire 1mm, spaced 1mm
 80nH=7t, 2mm air, wire 0,3mm
 90nH=6t, 2,5mm air, wire 0,3mm
 100nH=8t, 2mm air, wire 0,3mm