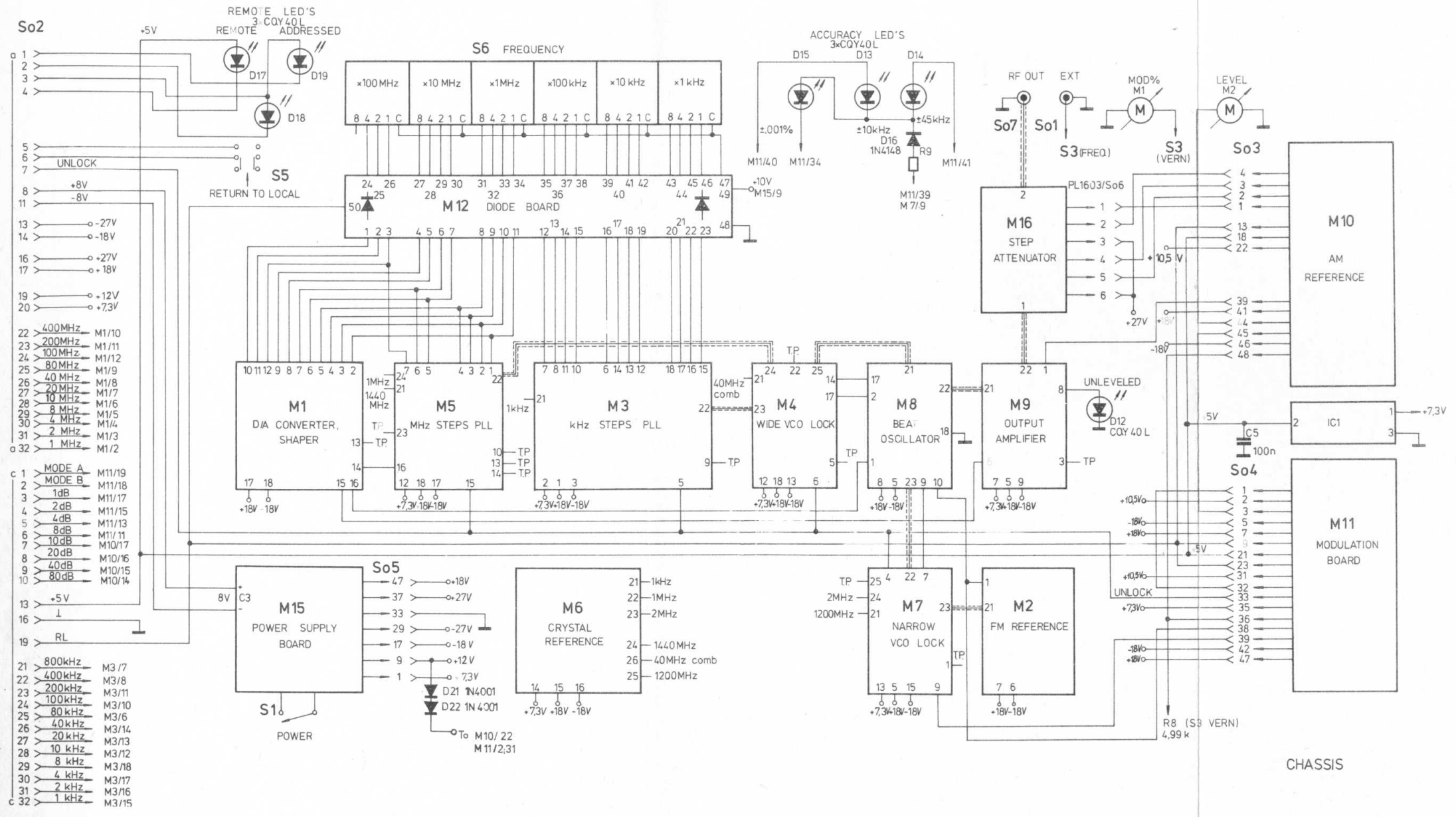


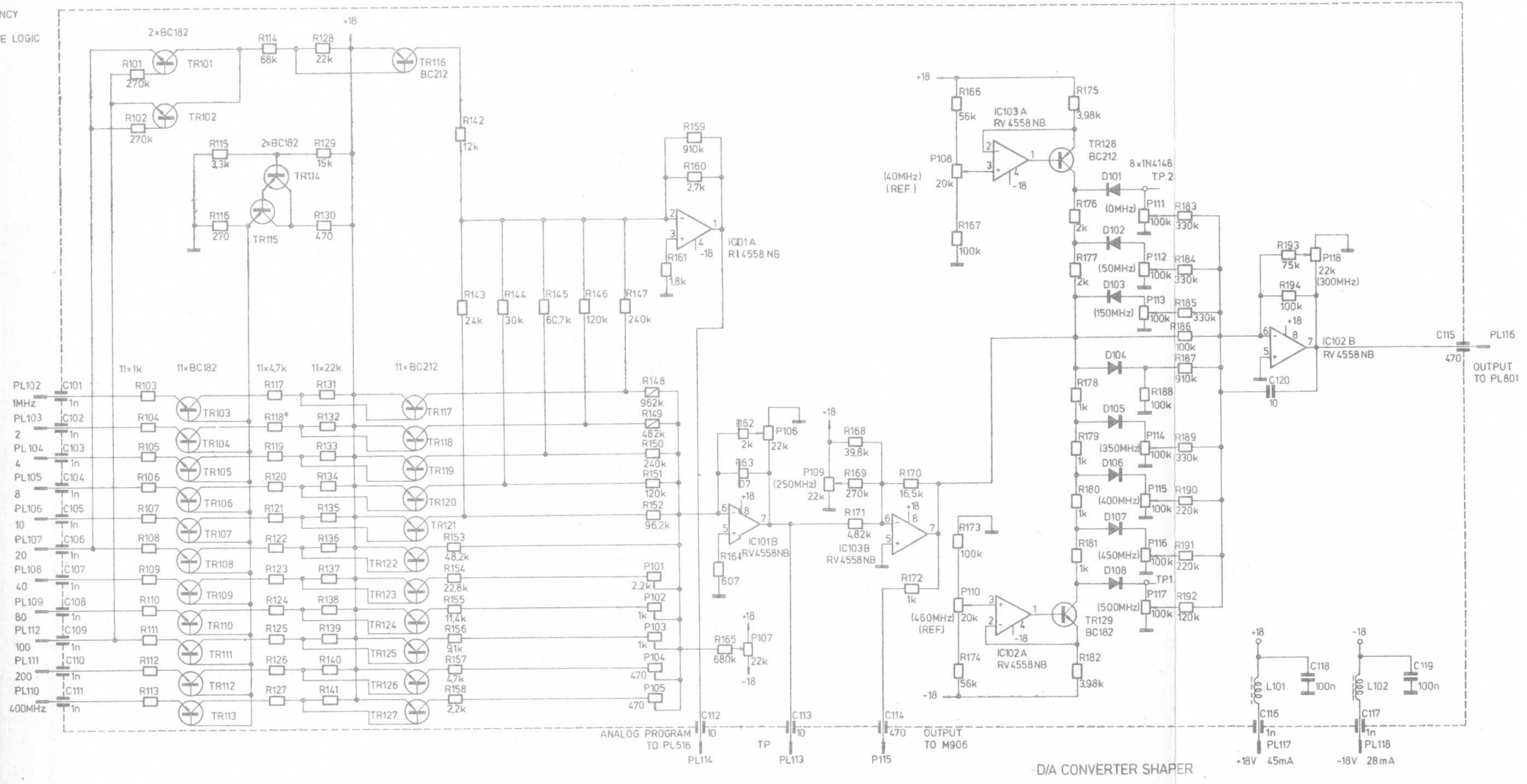
PROGRAM
PLUG
R.P.



CHASSIS

38
1172

MHz FREQUENCY PROGRAM
BCD NEGATIVE LOGIC
FROM M12



41
1172