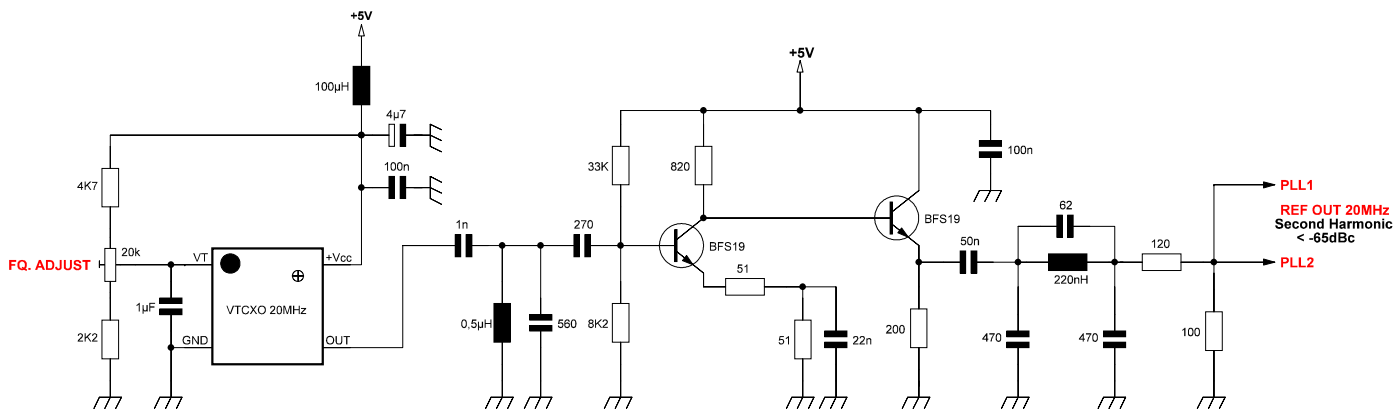


PLL1 and PLL2 (here is draw only one channel)



20MHz Reference Oscillator
You can use any crystal oscillator (20MHz)

144MHz Fractional-N PLL
Pastorcici Robert - 2013
YO4HFU