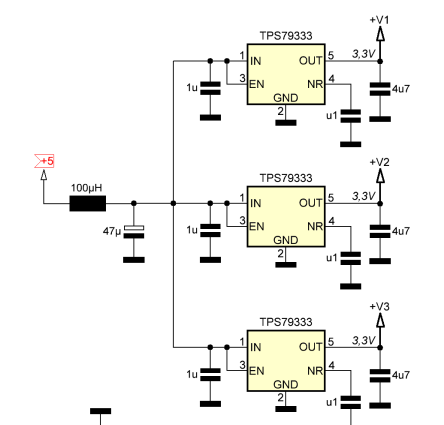
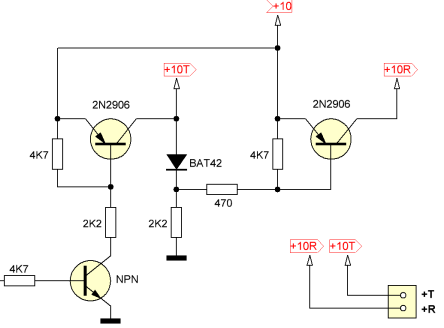
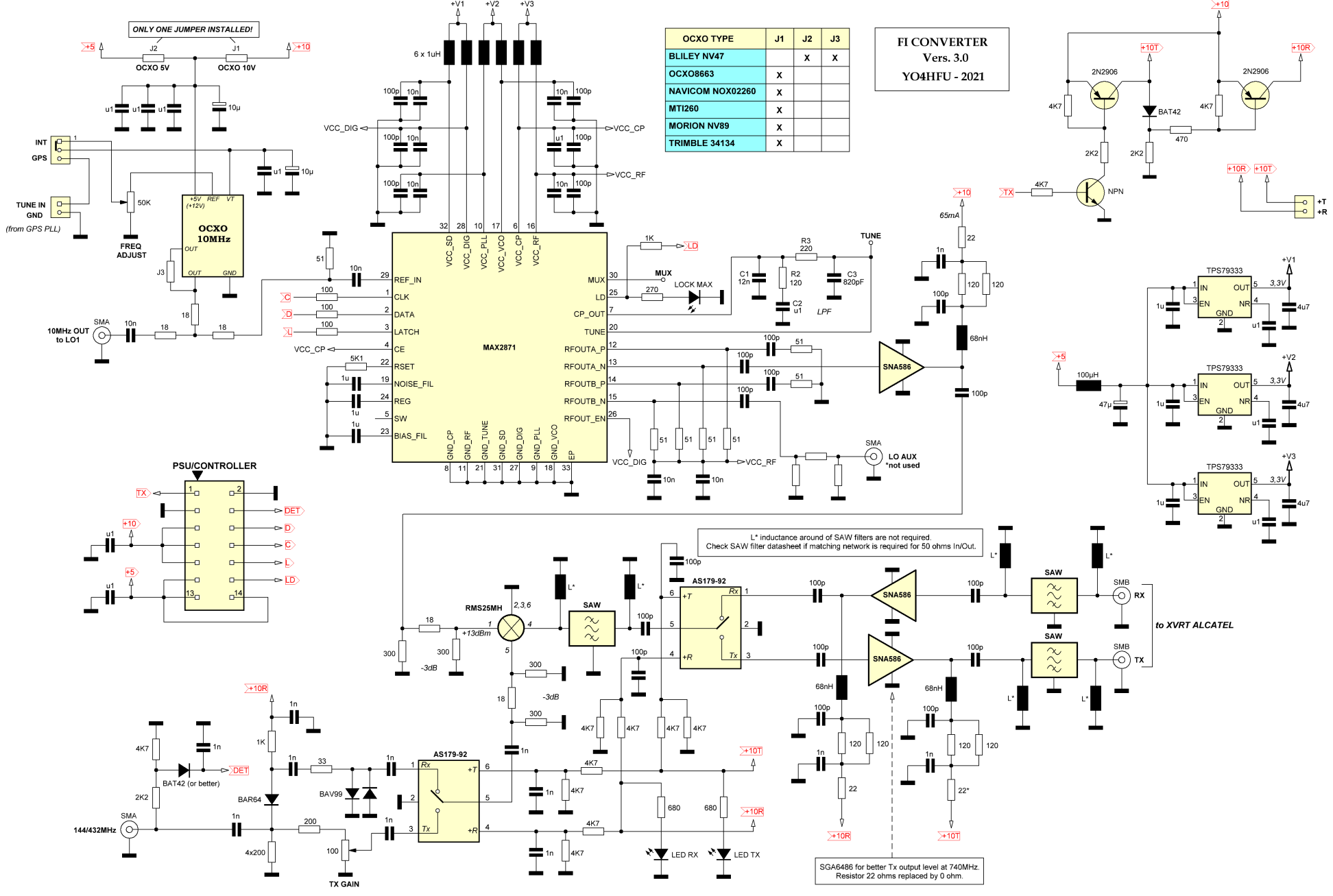


OCXO TYPE	J1	J2	J3
BLILEY NV47		X	X
OCXO8663	X		
NAVICOM NOX02260	X		
MTI260	X		
MORION NV89	X		
TRIMBLE 34134	X		

FI CONVERTER
Vers. 3.0
YO4HFU - 2021



L* inductance around of SAW filters are not required.
Check SAW filter datasheet if matching network is required for 50 ohms In/Out.

SGA6486 for better Tx output level at 740MHz.
Resistor 22 ohms replaced by 0 ohm.

to XVRT ALCATEL