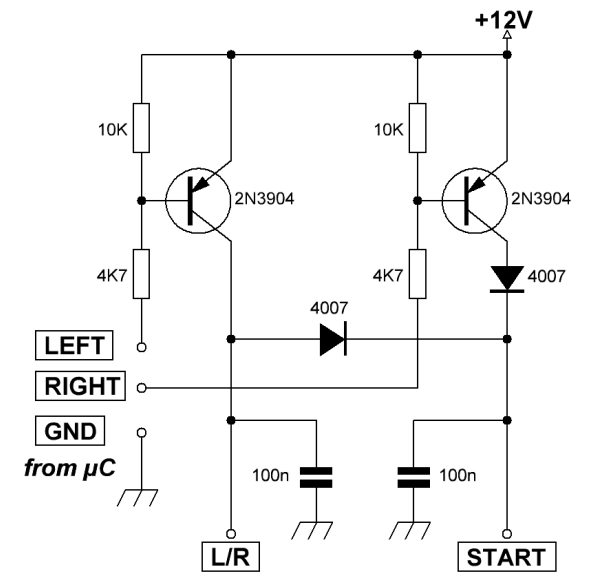
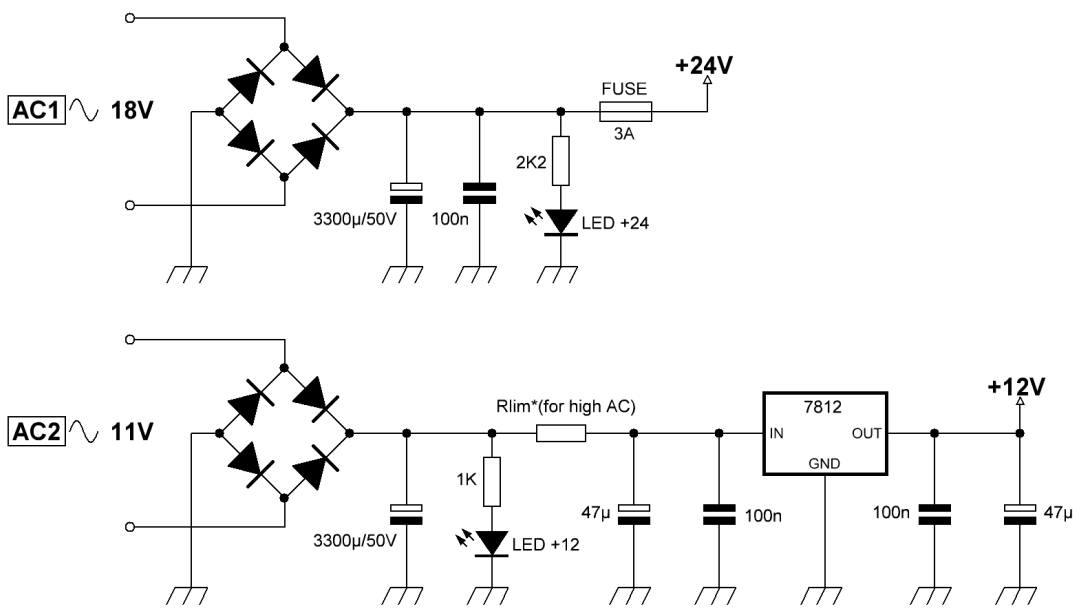


H Bridge for Elevation Motor
(0 logic Input = motor ON)



to ROTOR RELAY BOARD
(TOWER - AZIMUTH)

Interface for Azimuth Rotor



Power Supply 12/24V

H BRIDGE FOR ELEVATION MOTOR
Pastorcici Robert
YO4HFU - 2015