

ALL MATERIAL IS 1/2" M SERIES COOPER PIPE
EXCEPT 1/2" X 1 1/4" PVC NOTED.

THE TEE'S ARE 1/4" APART AFTER ASSEMBLY
THE 18 1/2" SUB SECTIONS ARE 2" APART C/L TO C/L

FEEDLINE IS FASTENED (52 OHM COAX) TO THE POINTS
A AND B ON THE 18 1/2" SECTIONS

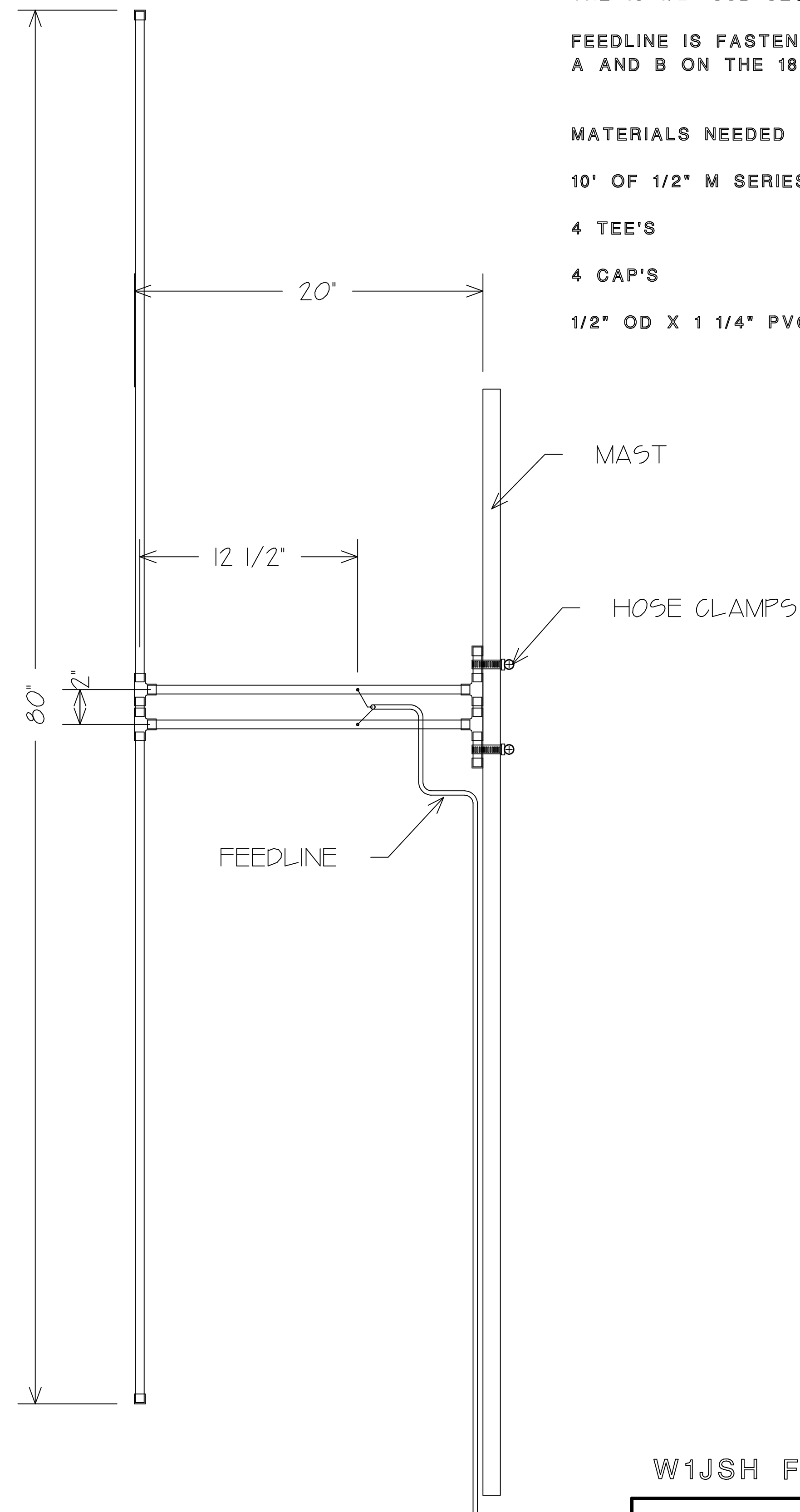
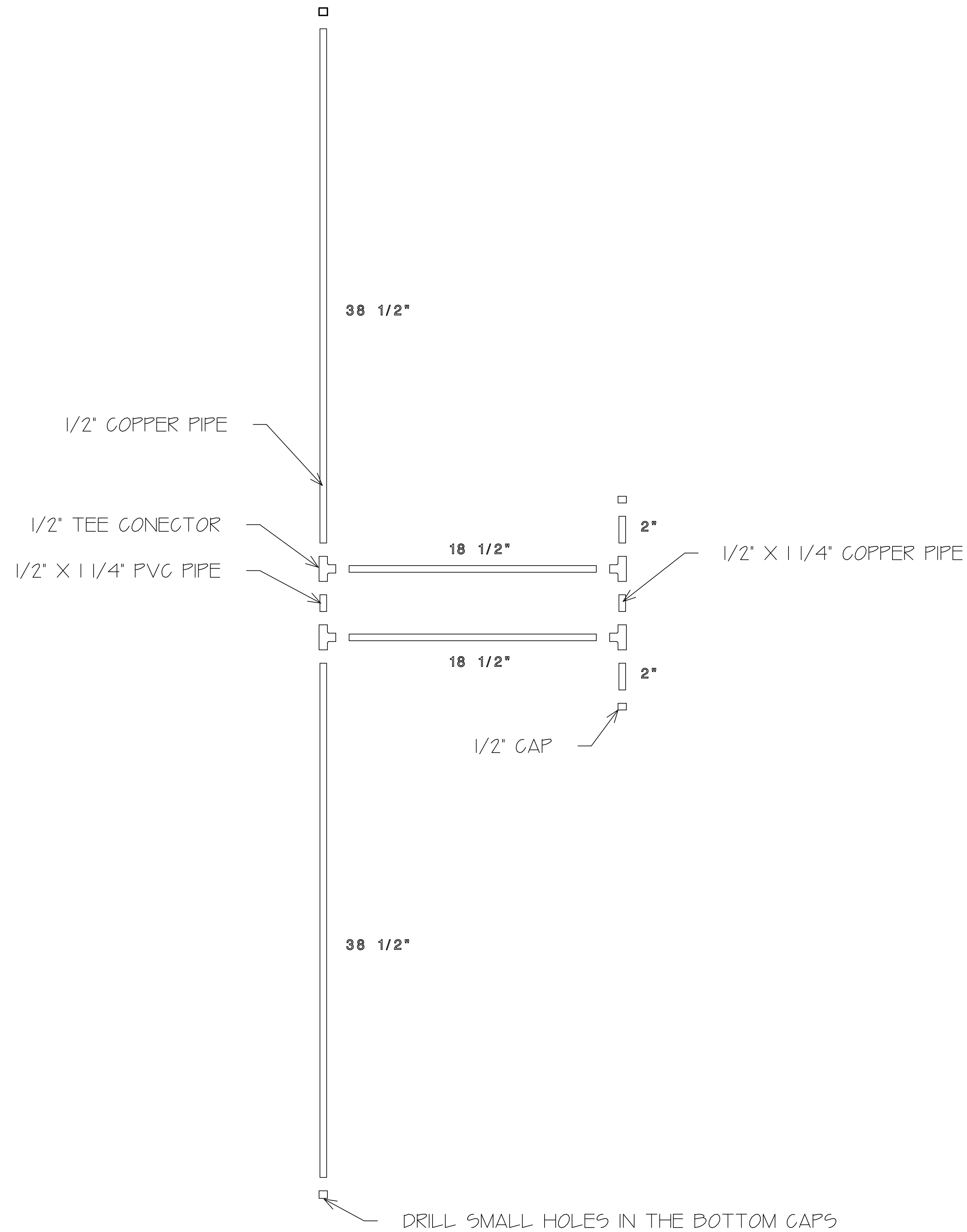
MATERIALS NEEDED

10' OF 1/2" M SERIES COOPER PIPE

4 TEE'S

4 CAP'S

1/2" OD X 1 1/4" PVC PIPE



W1JSH FORM K1RQG'S DESIGN

| | | |
|--------------------------|-------------------------|-----------|
| 2 METER VERT. DIPOLE | | 1 OF 1 |
| W/ RF SWITCH AND PRE-AMP | | |
| SCALE: NONE | DIAGRAM BY: MARK- N1SNP | |
| DATE: 11/14/94 | | |
| DRAWN BY: M.E.J | | APPROVED: |