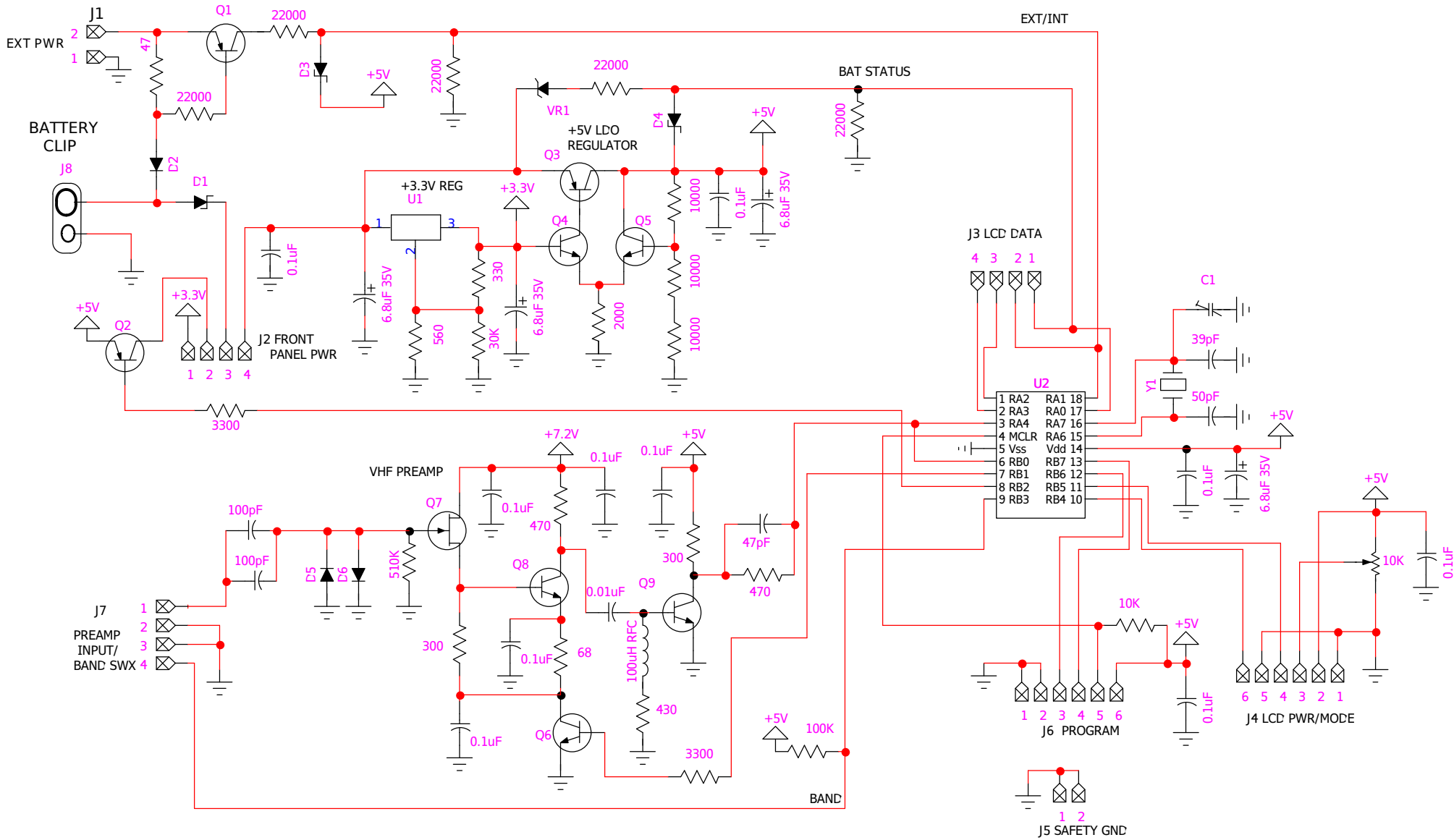
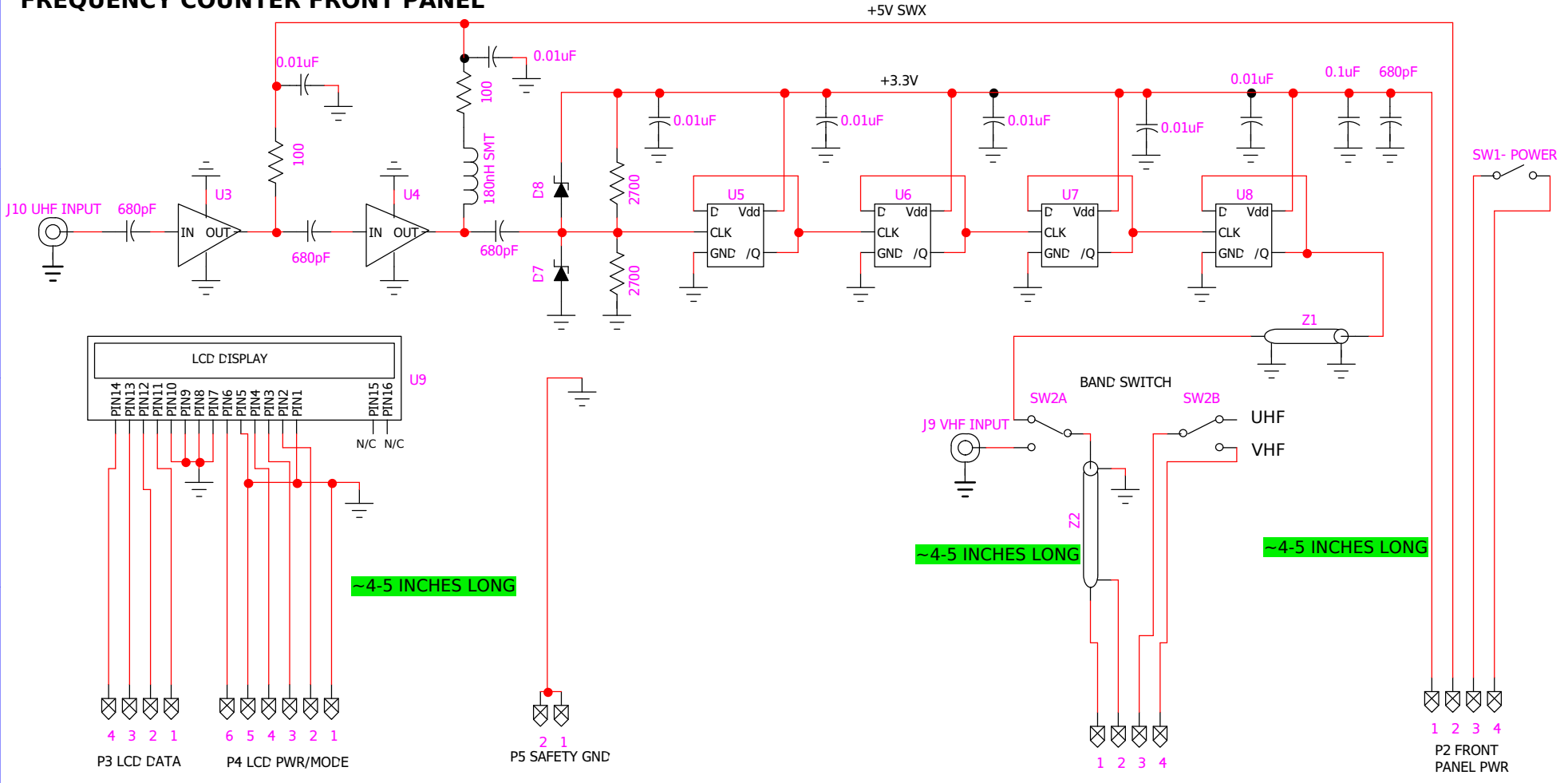


FREQUENCY COUNTER MAIN BOARD



FREQUENCY COUNTER FRONT PANEL



CABLE ASSEMBLIES

J11 EXT PWR

P1

7.2 VOLTS
6 X 1.2 V NiMh

P8

1 2 3 4 5 6 J12 EXT PROGRAM CONN

1 2 3 4 5 6 P6 PROGRAM

A

B

C

D

E

F

G

H