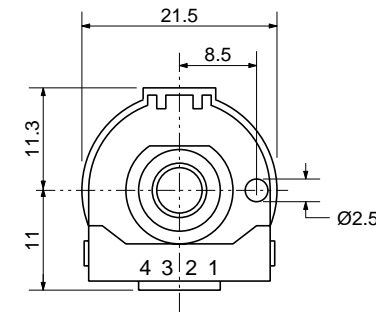
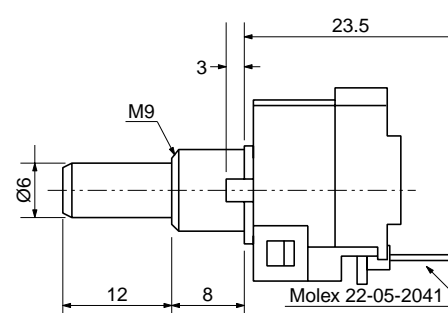
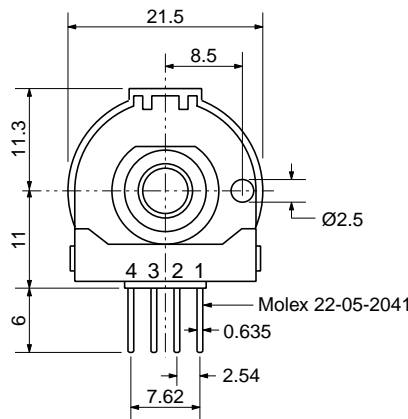
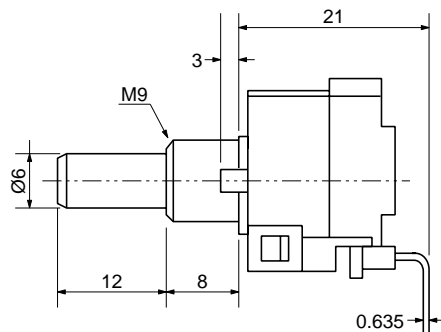


PANEL/PCB MOUNT

High Resolution 100 Million Cycles

- Extended Life
- Metal Shaft
- Ball Bearing
- Rugged Design
- Low Current
- Up to 200 PPR

Panel Mount/Right Angle (S) Type



Panel Mount/Vertical (T) Type

SPECIFICATIONS

ELECTRICAL

1. Input Voltage: 5.0 VDC $\pm 5\%$
2. Current Consumption: 26mA nominal; 30mA max.
3. Output Voltage: High: 4.2Vmin
Low: 0.4Vmax
4. Max. Freq. Response: 500 Hz

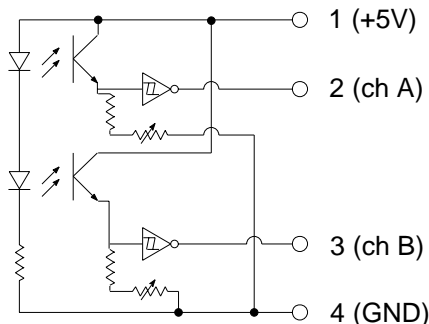
MECHANICAL

1. Max Shaft Load, radial: 1.0 kgf
axial: 1.0 kgf
2. Rotational Angle: 360° continuous
3. Starting Torque: 50 gf•cm max.
4. Maximum Speed: 210 RPM
5. Rotational Life: 10^8 cycles

ENVIRONMENTAL

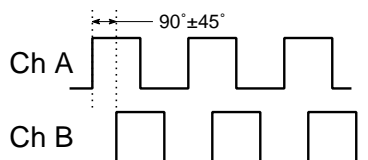
1. Operating Temp: 0° to +60° C
2. Storage Temp: -20° to +80° C
3. Humidity: 85% RH, no condensation
4. Vibration: 10 - 55 Hz, 1.5 mm, 2 hrs
5. Shock: 50G, 6ms, 3 axes, 3 reps

OUTPUT CIRCUIT



OUTPUT WAVEFORM

Counter clockwise rotation viewed from front



STANDARD RESOLUTIONS

EC202CXXX

050	50P/R	100	100 P/R
200	200P/R	250	250P/R

Resolutions are stated in cycles per revolution and can be resolved to 4x the cycle resolution (100=400, 200=800, etc.)

ORDERING INSTRUCTIONS

EC202CXXX-2XD

Resolution:
050 = 50PPR 100 = 100PPR
200 = 200PPR 250 = 250PPR

Pin Orientation:
S = Right Angle
T = Straight



C U I Stack, Inc.

96415 SW Allen Blvd. #103
Beaverton, OR 97005

Tel: 503/643-4899 FAX: 503/643-6129

DRAWN BY JAS	UPDATED 06/08/00	CHECKED 06/08/00	RELEASED 06/08/00
-----------------	---------------------	---------------------	----------------------

PART NO. EC202CXXX-2XD	REV. B
----------------------------------	------------------