



OPERATING AND SERVICE MANUAL

(HP PART NO. 400D/H/L-903)

MODEL 400D

SERIALS PREFIXED: 310-

MODEL 400H

SERIALS PREFIXED: 313-

MODEL 400L

SERIALS PREFIXED: 313-

AND

SPECIF. H02-400D

SERIALS PREFIXED: 310-

VACUUM TUBE VOLTMETER

Appendix C, Manual Backdating
Changes, adapts this manual to:

Models 400D/H02-400D,	Serial Nos. 313-28977 and below
Models 400H/L,	Serial Nos. 310-52371 and below
Models 400DR/HR/LR,	All Serial Nos.

Copyright Hewlett-Packard Company 1961
P. O. Box 301, Loveland, Colorado, 80537 U. S. A.



Figure 1-1. Vacuum Tube Voltmeters Models 400D, 400H, 400L

SECTION I

GENERAL DESCRIPTION

1-1. INTRODUCTION. (See figure 1-1.)

1-2. This manual contains operating and servicing instructions, and a parts breakdown, for the Models 400D, 400H, and 400L Vacuum Tube Voltmeters manufactured by the Hewlett-Packard Company. The Model 400D Voltmeter is similar to a military counterpart, Electronic Voltmeter ME-30A/U, in appearance and operation, but contains modified electrical circuits to obtain improved performance. Applicable Federal Stock Numbers for the voltmeters are as follows:

Model 400D: 6625-643-1670
 Model 400H: 6625-557-8261
 Model 400L: 6625-729-8360

1-3. The Models 400D, 400H, and 400L Voltmeters are the same except for the differences listed in Figure 1-2.

a. The front panel meters are different in each model, as described in paragraph 1-6.

b. The accuracy specifications are different for each model, as described in figure 1-2.

1-4. DESCRIPTION.

1-5. The Hewlett-Packard Models 400D, 400H, and 400L Vacuum Tube Voltmeters are general purpose, portable electronic a-c voltmeters of high sensitivity and stability. They are suited to both laboratory and field use. Models 400D/H measure a-c voltages from 0.001 to 300 volts and Model 400L from .003 to 300 volts rms full scale, with a frequency bandwidth covering 10 cps to 4 megacycles. The voltmeters are compact, accurate, and rugged and have fast meter response, high input impedance, stable calibration accuracy, and freedom from the effects of normal line voltage variations. The voltmeters are designed for long instrument life with a minimum of servicing.

<p>a. Voltage Range: 400D/H - 0.1 millivolt to 300 volts; 400L - 0.3 millivolt to 300 volts, in 12 ranges providing full-scale readings of the following voltages:</p> <table style="margin-left: 40px;"> <tbody> <tr> <td>0.001</td> <td>0.100</td> <td>10.00</td> </tr> <tr> <td>0.003</td> <td>0.300</td> <td>30.00</td> </tr> <tr> <td>0.010</td> <td>1.000</td> <td>100.00</td> </tr> <tr> <td>0.030</td> <td>3.000</td> <td>300.00</td> </tr> </tbody> </table> <p>b. Decibel Range: -72 to +52 db, in 12 ranges.</p> <p>c. Frequency Range: 10 cps to 4 mc.</p> <p>d. Input Impedance: 10 megohms shunted by 15 pf (15 μmf) on ranges 1.0 volt to 300 volts; 25 pf on ranges 0.001 volt to 0.3 volt.</p> <p>e. Stability: Line voltage variations of $\pm 10\%$ do not reduce the specified accuracy, and line voltage transients are not reflected in the meter reading. Electron tube deterioration to 75% of normal transconductance affects accuracy less than 0.5% from 20 cps to 1 mc.</p> <p>f. Amplifier: OUTPUT terminals are provided so that the voltmeter can be used to amplify small signals or to enable monitoring of waveforms under test with an oscilloscope. Output voltage is approximately 0.15 volt rms on all ranges with full-scale meter deflection. Amplifier frequency response is same as the voltmeter. Internal impedance is approximately 50 ohms over entire frequency range.</p>	0.001	0.100	10.00	0.003	0.300	30.00	0.010	1.000	100.00	0.030	3.000	300.00	<p>g. Accuracy: <u>Model 400D</u> -</p> <p>$\pm 2\%$ of full scale, 20 cps to 1 mc; $\pm 3\%$ of full scale, 20 cps to 2 mc; $\pm 5\%$ of full scale, 10 cps to 4 mc.</p> <p style="text-align: center;"><u>Model 400H</u> -</p> <p>$\pm 1\%$ of full scale, 50 cps to 500 kc; $\pm 2\%$ of full scale, 20 cps to 1 mc; $\pm 3\%$ of full scale, 20 cps to 2 mc; $\pm 5\%$ of full scale, 10 cps to 4 mc.</p> <p style="text-align: center;"><u>Model 400L</u> -</p> <p>$\pm 2\%$ of reading or $\pm 1\%$ of full scale, whichever is more accurate, 50 cps to 500 kc. $\pm 3\%$ of reading or $\pm 2\%$ of full scale, whichever is more accurate, 20 cps to 1 mc. $\pm 4\%$ of reading or $\pm 3\%$ of full scale, whichever is more accurate, 20 cps to 2 mc. $\pm 5\%$ of reading 10 cps to 4 mc.</p> <p>h. Power Requirement: 115/230 volts $\pm 10\%$, 50 to 1000 cps, approximately 100 watts.</p> <p>i. Size: 11-3/4 in. high, 7-1/2 in. wide, 12 in. deep.</p> <p>j. Weight: 18 lbs; shipping weight approximately 23 lbs.</p>
0.001	0.100	10.00											
0.003	0.300	30.00											
0.010	1.000	100.00											
0.030	3.000	300.00											

Figure 1-2. Table of Specifications

Paragraphs 1-6 to 1-12

1-6. Each model voltmeter has three calibrated scales on the panel meter. The Models 400D and 400H have two linear VOLTS scales, 0 to 1 and 0 to 3, and one DECIBELS scale, -12 to +2 db. The meters used in the Models 400H and 400L are larger and include a mirror to eliminate parallax in viewing and to facilitate use of the higher scale calibration accuracy of these models. The Model 400L VOLTS scales are logarithmic in calibration, from 0.3 to 1 and 0.8 to 3; and the DECIBELS scale is linear. In all models, the VOLTS scales are calibrated to indicate the root-mean-square (rms) value of an applied sine wave. Actual meter deflection is proportional to the average value of the applied signal, thereby minimizing additional meter deflection due to noise and harmonic distortion.

1-7. A voltmeter output signal is provided at the front panel OUTPUT terminals. This output is proportional to the meter reading and has a waveshape similar to the applied signal. This signal level is about 0.15 volts rms for a full-scale meter reading, regardless of the input signal level. The internal impedance at the OUTPUT terminal is 50 ohms over the full frequency range. High-impedance loads (above 100K) will not adversely affect the accuracy of the voltmeter. This output is valuable for increasing the sensitivity of bridges, etc., where distortion added to the waveform is not a factor.

1-8. The voltmeter chassis is constructed of aluminum alloy throughout. The panel is finished in non-reflecting, light-grey baked enamel; the cabinet is finished in dark-blue, baked wrinkle paint. The cabinet is equipped with rubber feet and a leather carrying handle. Control markings on the front panel are engraved and black filled. INPUT and OUTPUT terminals are special binding posts which accept either bare wire or banana plugs; the 3/4-inch spacing between binding posts accepts standard dual-banana plugs. The "ground" side of the INPUT and OUTPUT terminals is connected to the instrument chassis which is in turn connected to the power line ground through the third (round) prong of the plug on the power cable.

1-9. The voltmeter is equipped with a non-detachable power cord. Test leads, which may be plain wire leads or coaxial cable, and test probes must be supplied by the user.

1-10. Instruments designated Models 400DR, 400HR, and 400LR are rack mount configurations of the 400D, 400H, and 400L, respectively. They are identical to their cabinet model counterparts in every other respect. They are designed to be mounted in a standard 19 inch wide x 7 inch high relay rack space. Refer to Appendix C for Replacement Parts information.

1-11. ACCESSORIES.

1-12. Accessory instruments for the voltmeter are available (not supplied) to increase its range of operation and application, such as increasing voltage measurement range and input impedance, converting to current measurement, providing line matching, etc., as follows:

a. H-P 11004A Line Matching Transformer. Provides balanced 135-ohm or 600-ohm input, 5 kc to 600 kc.

b. H-P 11005A Bridging Transformer. Allows voltage measurement on balanced lines. 20 cps to 45 kc.

c. H-P 11039A Capacitive Voltage Divider. Safely measures power-frequency voltages to 25 kilovolts. Division ratio, 1000:1. Input capacity, 15 pf \pm 1 pf.

d. H-P 11041A Capacitive Voltage Divider. Accuracy \pm 3%. Division ratio, 100:1. Input impedance, 50 megohms, resistive, shunted with 2.75 pf capacity. Maximum voltage, 1500 volts.

e. H-P 456A AC Current Probe. Allows current measurements without breaking the circuit. Sensitivity 1 mv/ma \pm 2% at 1 kc. Maximum input 1 amp rms; 2 amp peak. Output noise less than 50 μ v rms.

f. H-P 11029A-11034A Shunt Resistors. For measuring currents as small as 1 microamp full scale. Accuracy \pm 1% to 100 kc, \pm 5% to 4 mc (470A, \pm 5% to 1 mc). Maximum power dissipation, 1 watt.

SECTION II INSTALLATION

2-1. UNPACKING AND INSPECTION.

2-2. There are no special precautions for unpacking the voltmeter. Save the shipping carton and packing materials for possible storage or reshipment. When unpacking, inspect instrument and packing materials for signs of damage in shipment. Make an operation check as directed in paragraph 2-10 to determine if performance is satisfactory. If there is any indication of damage, immediately file a claim with the transport service used or other cognizant authority.

2-3. LINE VOLTAGE REQUIREMENT.

2-4. The voltmeter is wired at the factory for use on 115-volt a-c power. This voltage may vary $\pm 10\%$ without adverse effect upon voltmeter performance. The voltmeter can be wired for use on 230-volt a-c power by reconnecting the dual primary windings on the power transformer as shown in the schematic diagram in Section V. When using 230-volt power, change from a 1-amp to a 1/2-amp slow-blow fuse. If necessary, provide an adapter for attaching the standard 115-volt plug on the voltmeter to the 230-volt outlet.

2-5. POWER LINE CONNECTION.

2-6. The three-conductor power cable on the voltmeter is terminated in a polarized three-prong male connector. The third contact is an offset round pin added to a standard two-blade connector, which grounds the instrument chassis when used with the appropriate receptacle. To connect this plug in a standard two-contact receptacle, use an adapter. The chassis ground connection is brought out of the adapter in a green pigtail lead for connection to a suitable ground.

2-7. The power plug normally supplied with the voltmeter is made of molded rubber and is an integral part of the power cable. On certain military contracts, a modification of the Model 400D, termed the H02-400D, is equipped with a removable plug having the same pin configuration but constructed of corrosion-resistant material. In all other respects the H02-400D is the same as the Model 400D and carries the same Federal Stock Number.

WARNING

The lower INPUT and OUTPUT signal terminals on the panel of the voltmeter are connected directly to the chassis of the voltmeter. Any voltage applied to the lower terminal will be shorted directly to ground. If the ground connection in the power cord is disconnected by use of an adapter, the entire voltmeter cabinet will carry whatever potential is applied to the lower terminal and may be a hazard to the operator.

2-8. INSTALLATION.

2-9. The voltmeter is a portable instrument requiring no permanent installation. The voltmeter is for bench-top operation, standing on its rubber feet with its front panel near the vertical plane. A bail is provided for raising the front of the cabinet to obtain a better viewing angle.

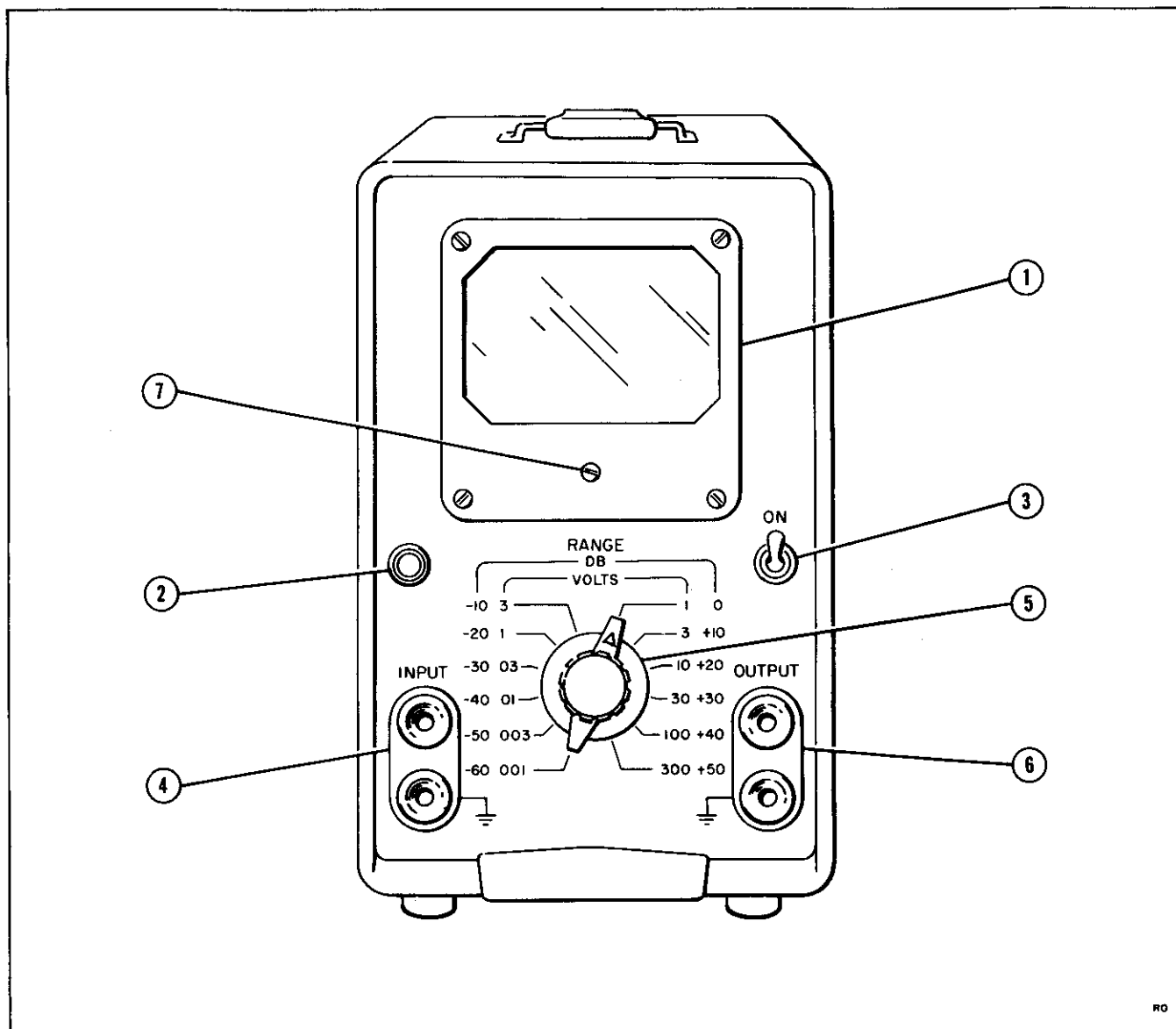
2-10. OPERATION CHECK.

2-11. The voltmeter is ready for use as received from the factory. The simple check described below can be made by incoming inspectors to determine if electrical damage was incurred in shipment. If more complete proof of instrument performance is required, the over-all performance check described in paragraph 5-22 must be used. Make a simple performance check as follows:

a. Connect voltmeter to the power line through a variable transformer. Set transformer for 115 volts, turn on and allow a five-minute warmup.

b. Measure any sine wave voltage, excepting the power line, from 0.01 to 300 volts whose exact voltage is known. Note that the lower INPUT terminal is connected to the power line ground.

c. While making the above measurement, adjust the line voltage from 103 to 127 volts. The reading on the meter must not change by more than the width of the pointer.



REFERENCE NUMBER	DESIGNATION	FUNCTION
1	Panel meter	Indicates rms volts and decibels of sine wave signals.
2	Indicator light	Indicates that voltmeter is turned on.
3	ON Power switch	Applies line power to voltmeter.
4	INPUT terminals	Receive voltage to be measured or signal to be amplified.
5	RANGE (DB-VOLTS) switch	Selects full-scale deflection sensitivity.
6	OUTPUT terminals	Supply signal level proportional to meter reading, with same waveform as applied to INPUT terminals.
7	Zero adjust screw	Meter zero adjust screw (for 400D and 400H only).

Figure 3-1. Voltmeter Front Panel, Showing Controls and Connectors

SECTION III OPERATING INSTRUCTIONS

3-1. INSTRUMENT TURN-ON.

3-2. The voltmeter is ready for use as received from the factory and will give specified performance after a few minutes warmup. See Section II for information regarding connection to the power source and to the voltage to be measured. Controls are shown in figure 3-1.

3-3. GENERAL OPERATING INFORMATION.

3-4. **METER ZERO CHARACTERISTIC.** When the Model 400D and 400H Voltmeters are turned off, the meter pointer should rest exactly on the zero calibration mark on the meter scale. If it does not, zero-set the meter as instructed in paragraph 5-7. The meter supplied in the Model 400L Voltmeter is not provided with a mechanical meter zero adjustment. When the voltmeter is turned on with the INPUT terminals shorted, the meter pointer may deflect upscale slightly; this deflection does not affect the accuracy of a reading.

NOTE

When the voltmeter RANGE switch is set to the lowest ranges and the INPUT terminals are not terminated or shielded, noise pickup can be enough to produce up to full-scale meter deflection. This condition is normal and is caused by stray voltages in the vicinity of the instrument. For maximum accuracy on the .001-volt range, the voltage under measurement should be applied to the voltmeter through a shielded test lead.

3-5. **METER SCALES.** The two voltage scales on each of the voltmeter models are related to each other by a factor of $1:\sqrt{10}$ (10 db). In conjunction with the calibrated RANGE switch steps, this provides an intermediate range step spaced 10 db between "power of ten" ranges, which are 20 db apart. The relationship of the DECIBELS scale to the 0 to 1 VOLT scale is determined by making 0 db on the DECIBELS scale equal to the voltage required to produce 1 milliwatt in 600 ohms (0.775 volts). Thus, the DECIBELS scale reads directly in dbm (decibels referred to one milliwatt) across a 600-ohm circuit, and can be used to measure absolute level of sine wave signals. It can also be used to measure relative levels of any group of signals which have the same waveform, across any constant circuit impedance. The RANGE switch changes voltmeter sensitivity in 10-db steps accurate to within $\pm 1/8$ db. The RANGE switch position indicates the value of a full-scale meter reading.

3-6. **CONNECTIONS.** Voltmeter test leads must be provided by the user. The type of leads and probes used will depend upon the application, as listed below:

a. For connection to low-impedance signal sources, plain wire leads often are sufficient.

b. For high-impedance sources, or where noise pickup is a problem, low-capacity shielded wire must be used with a shielded, dual banana plug for connection to the voltmeter terminals.

c. If a probe is used, it should also be shielded to prevent pickup from the hand.

d. For signals above a few hundred kilocycles, the capacity of the test leads must be kept to a minimum by using very short leads, preferably unshielded. An alligator clip should be used at the test end so that connection can be made without adding the capacity of the user's hands.

3-7. **MAXIMUM INPUT VOLTAGE.** Do not apply more than 600 volts dc to the INPUT terminals. To do so exceeds the voltage rating of the input capacitor.

3-8. If an applied voltage momentarily exceeds the selected full-scale voltmeter sensitivity, a few seconds may be required for circuit recovery, but no damage will result.

3-9. **INPUT VOLTAGE WAVEFORM.** The voltmeter is calibrated to indicate the root-mean-square value of a sine wave; however, meter pointer deflection is proportional to the average value of whatever waveform is applied to the input. If the input signal waveform is not a sine wave, the reading will be in error by an amount dependent upon the amount and phase of the harmonics present, as shown in figure 3-2 below. When harmonic distortion is less than about 10%, the error which results is negligible.

INPUT VOLTAGE CHARACTERISTICS	TRUE RMS VALUE	METER INDICATION
Fundamental = 100	100	100
Fundamental +10% 2nd harmonic	100.5	100
Fundamental +20% 2nd harmonic	102	100-102
Fundamental +50% 2nd harmonic	112	100-110
Fundamental +10% 3rd harmonic	100.5	96-104
Fundamental +20% 3rd harmonic	102	94-108
Fundamental +50% 3rd harmonic	112	90-116

Note: This chart is universal in application since these errors are inherent in all average-responding type voltage-measuring instruments.

Figure 3-2. Effect of Harmonics on Voltage Measurements

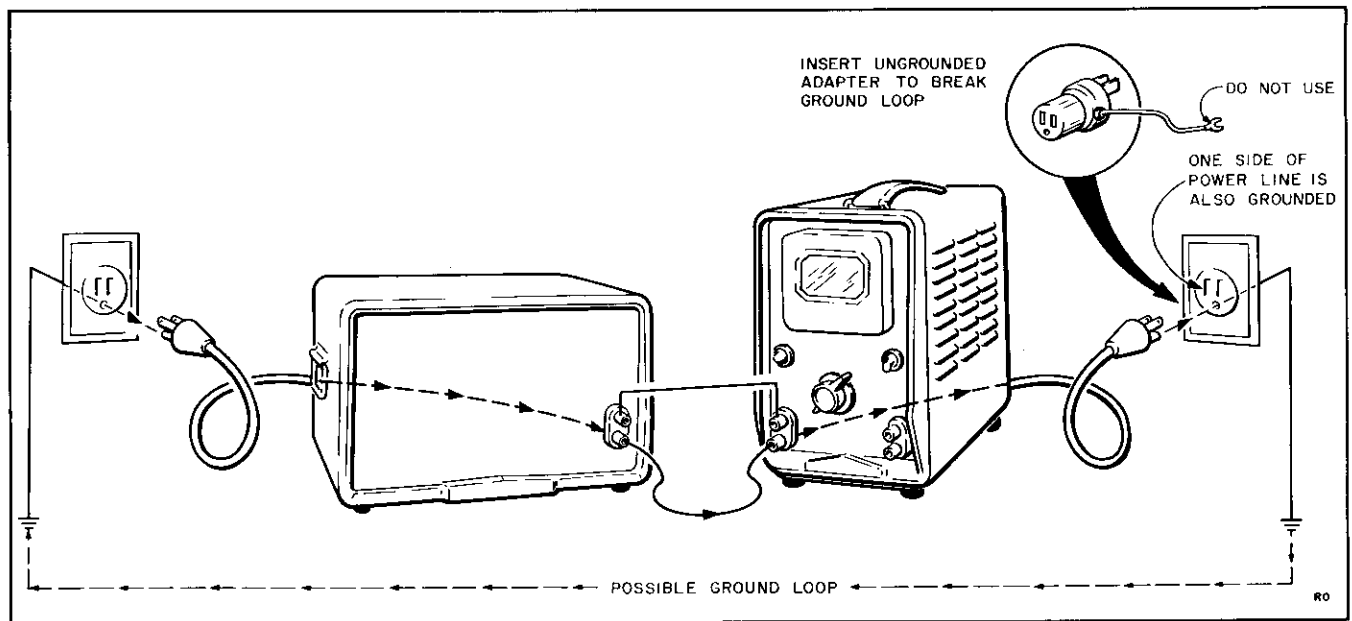


Figure 3-3. Test Setup for Avoiding Ground Loop

3-10. Since the voltmeter meter deflection is proportional to the average value of the input waveform, it is not adversely affected by moderate levels of random noise. The effect that noise has on the accuracy of the meter reading depends upon the waveform of the noise and upon the signal-to-noise ratio. A square wave has the greatest effect, a sine wave intermediate effect, and "white" noise has the least effect on the meter reading.

3-11. If the noise signal is a 50% duty cycle square wave and the signal-to-noise ratio is 10:1 (between peak voltages), the error will be about 1% of the meter reading. If the noise signal is "white" noise and the signal-to-noise ratio 10:1, the error is negligible.

3-12. LOW-LEVEL MEASUREMENTS AND GROUND CURRENTS.

3-13. When the voltmeter is used to measure signal levels below a few millivolts, ground currents in the meter test leads can cause an error in meter reading. Such currents are created when two or more ground connections are made between the instruments of a test setup and/or between the instruments and the power line ground. Two ground connections complete an electrical circuit (ground loop) for the voltages which are generated across all instrument chassis by stray fields, particularly the fields of transformers. These ground currents can be minimized by disconnecting the ground lead in the power cord from either the voltmeter or the signal source being measured, at the power outlet as shown in figure 3-3, and by making sure that in the test setup no other ground loop is formed that can cause a ground current to flow in the voltmeter test leads. Although the resultant voltage developed across a test lead is in the order of microvolts, it is enough to cause noticeable errors in measurements of a few millivolts. The presence of ground currents can sometimes be determined by simply changing the grounds for the instruments in the

setup and watching for a change in meter reading. If changing the ground system causes a change in meter reading, ground currents are present.

3-14. MEASUREMENT OF VOLTAGE.

3-15. The meter has two VOLTS scales, 0 to 1 and 0 to 3. When the RANGE switch is set to .001, .01, .1, 1, 10, or 100 VOLTS, read the 0 to 1 scale. When the RANGE switch is set to .003, .03, .3, 3, 30, or 300 VOLTS, read the 0 to 3 scale.

CAUTION

The lower (black) signal INPUT and OUTPUT terminals and the instrument case are connected to the power system ground when the instrument is used with a standard three-terminal (grounding) receptacle. Connect only ground-potential circuits to the black INPUT and OUTPUT terminals.

3-16. Operate the instrument as follows:

- a. Connect the voltmeter to the a-c power source.
- b. Turn the Power switch ON and allow a warmup period of approximately five minutes.
- c. Disconnect any external equipment from the OUTPUT terminals.
- d. Set the RANGE switch to the VOLTS range which will read the voltage to be measured at mid-scale or above. If in doubt, select a higher VOLTS range.
- e. Connect the voltage to be measured to the INPUT terminals.

CAUTION

AVOID A SHORT CIRCUIT ACROSS THE POWER LINE! To measure power line voltage, first connect only the upper (red) INPUT terminal to each side of the power line, in turn, leaving it connected to the side that causes meter indication. Then connect the lower (black) INPUT terminal (grounded internally) to the other side of the line. If this procedure is not followed, the power line may be short-circuited through the grounded INPUT terminal of the voltmeter.

f. Read the meter indication on the appropriate VOLTS scale, in accordance with the full-scale value indicated on the RANGE switch. Evaluate the reading in terms of the full-scale value indicated on the RANGE switch. Study the following examples:

Example 1

When the RANGE switch is in the .1 VOLTS range, read the 0 to 1 VOLTS scale. If the meter indicates .64 on that scale, the voltage being measured is:

$$.64 \text{ (meter indication)} \times \frac{.1 \left[\begin{array}{l} \text{switch-selected} \\ \text{voltage range} \end{array} \right]}{1 \text{ (full-scale value)}} = .064 \text{ volt}$$

Example 2

When the RANGE switch is in the 30 VOLTS range, read the 0 to 3 VOLTS scale. If the meter indicates 1.6 on that scale, the voltage being measured is:

$$1.6 \text{ (meter indication)} \times \frac{30 \left[\begin{array}{l} \text{switch-selected} \\ \text{voltage range} \end{array} \right]}{3 \text{ (full-scale value)}} = 16 \text{ volts}$$

3-17. MEASUREMENT OF DECIBELS.

3-18. The DECIBELS meter scale is provided for measuring dbm directly across 600 ohms and for measuring db ratio for comparison purposes when each measurement is made across the same circuit impedance. To measure signal level directly in dbm (0 dbm equals 1 milliwatt into 600 ohms) proceed as follows:

- Connect the voltmeter to the a-c power source.
- Turn the Power switch ON and allow a warmup period of approximately five minutes.
- Disconnect any external equipment from the OUTPUT terminals.
- Set the RANGE switch to the DB range which will give an upscale reading of the signal to be measured. If in doubt, select a higher-level scale.
- Connect the voltage to be measured to the INPUT terminals.

f. Note the meter indication on the DECIBELS scale (-12 to +2 db). The signal level is the algebraic sum of the meter indication and the db value indicated by the RANGE selector. Study the following examples:

Example 1

If the indication on the DECIBELS scale is +2 and the RANGE switch is in the +20 DB position, the level is +22 dbm.

Example 2

If the indication on the DECIBELS scale is +1.5 and the RANGE switch is in the -40 DB position, the level is -38.5 dbm.

3-19. To measure db across impedances other than 600 ohms, follow the above procedure and evaluate the results as follows:

NOTE

Since the measurement is made across other than 600 ohms, the level obtained in step f is in db, but not in dbm.

a. To obtain the difference in db between measurements made across equal impedances, algebraically subtract the levels being compared.

b. To obtain the reading of a single measurement in dbm, note the impedance across which the measurement is made and refer to the Impedance Correction Graph, described in paragraph 3-20.

c. To obtain the difference in dbm between measurements made across different impedances, convert each measurement to dbm using the Impedance Correction Graph described in paragraph 3-20. Then algebraically subtract the dbm levels being compared.

3-20. IMPEDANCE CORRECTION GRAPH.

3-21. As the voltmeter DECIBELS scale is calibrated to indicate dbm for measurements made across 600-ohm circuits, a correction factor must be used when measurements are made across circuit impedances other than 600 ohms, if absolute dbm levels are desired. The correction factor is not necessary in measuring relative db levels (not dbm) across the same impedance, but it is required for comparison of db levels measured across different impedances. The Impedance Correction Graph in figure 3-4 gives the correction factor for conversion of the meter reading to dbm when the impedance of the circuit under test is known. To use the graph, read the conversion factor corresponding to the test circuit impedance and add it to the meter reading determined by the method of paragraph 3-17. Observe the algebraic sign of the correction factor in making the algebraic addition. Use the following examples:

Example 1

If the measurement is made across 90 ohms, the indication on the DECIBELS scale is +2, and the RANGE switch is at the +30 DB position, the level in dbm is obtained as follows:

+ 2 (meter indication)
+30 (RANGE switch position)
+32 (sum)
+ 8 (correction factor from the Impedance
+40 dbm Correction Graph)

Example 2

For the same conditions as given above, except that the measurement is made across an impedance of 60,000 ohms, the level in dbm is obtained as follows:

+ 2 (meter indication)
+30 (RANGE switch position)
+32 (sum)
-20 (Correction factor from the Impedance
+12 dbm Correction Graph)

3-22. USE OF VOLTMETER AMPLIFIER.

3-23. The amplifier in the voltmeter may be used for amplifying weak signals. With full-scale meter deflection, the open-circuit output of the amplifier is approximately 0.15 volt rms regardless of the RANGE switch position. The impedance looking into the OUTPUT terminals is approximately 50 ohms. The frequency

response and calibration of the voltmeter may be affected by the impedance of a load applied to the OUTPUT terminals. To check the effect of the applied load: observe the meter reading obtained with no load connected to the OUTPUT terminals and then note any shift of reading when the external circuit is connected to the OUTPUT terminals. If the shift is negligible, the measurement is not being affected appreciably by the load. Whenever the input signal is changed, i.e., a different frequency or band of frequencies is applied, repeat the quick check described above.

3-24. Maximum gain from the amplifier is obtainable only on the lowest (.001 volts) range, since output level is the same for all bands. This is due to the 10-db amplification loss per step inserted by the RANGE switch as it is turned clockwise. Amplification may also be obtained on the .003, .01, .03, and 1 volt ranges.

3-25. When the voltmeter is used as an amplifier, select a range which gives a meter deflection near full scale. Off-scale signals more than twice the value of the position of the RANGE switch will cause severe distortion.

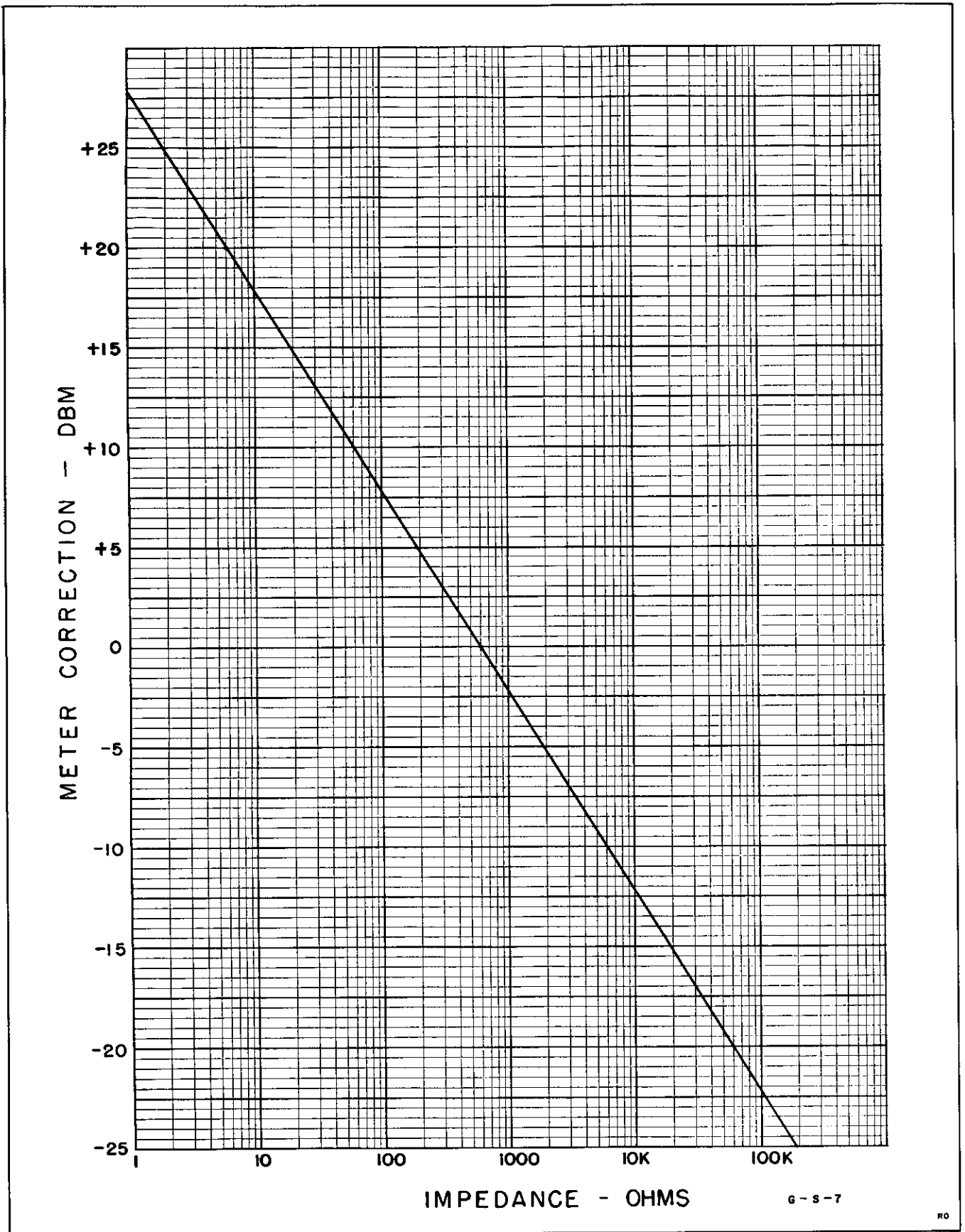


Figure 3-4. Impedance Correction Graph

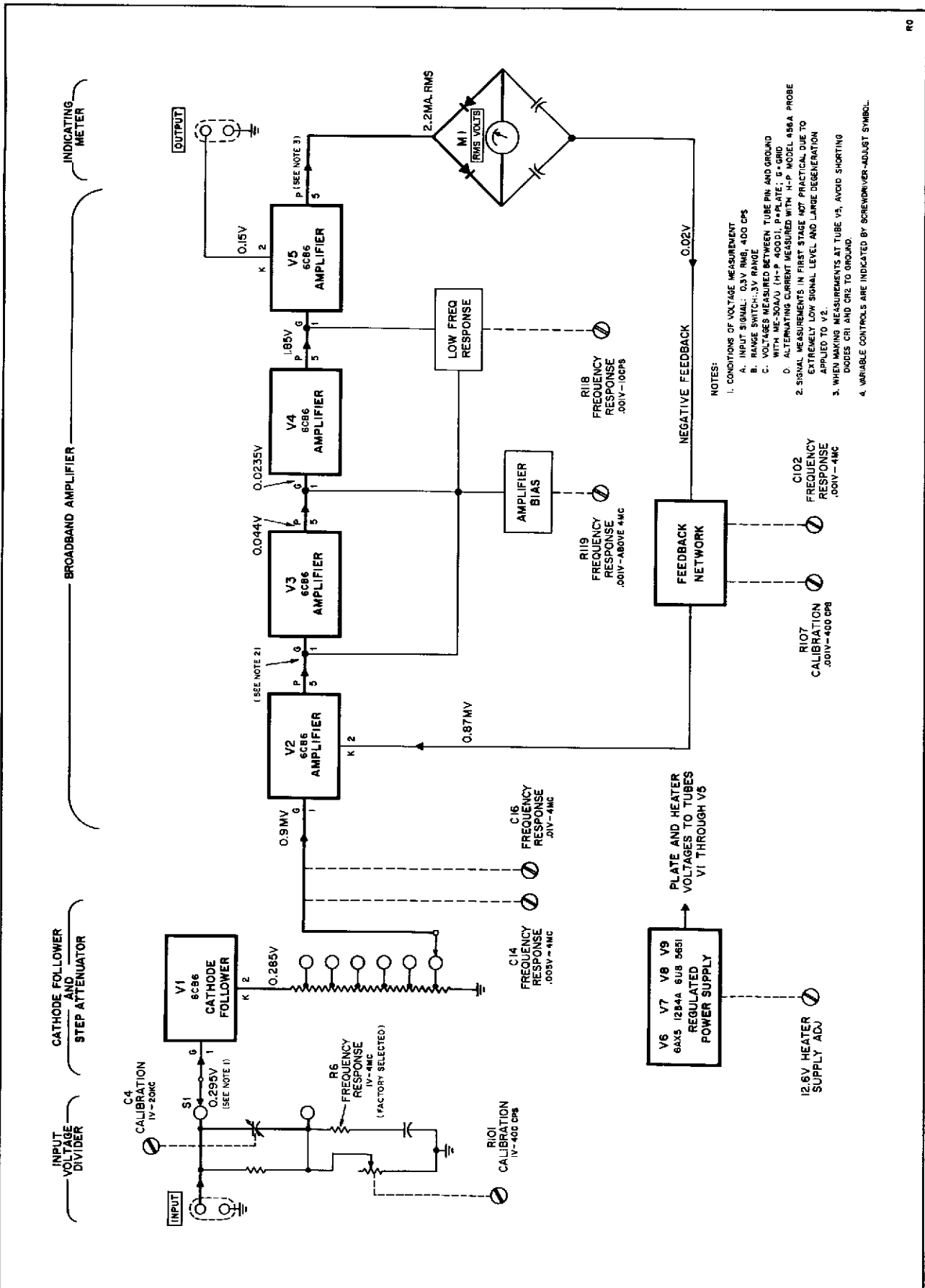


Figure 4-1. Voltmeter Block Diagram

SECTION IV

CIRCUIT DESCRIPTION

4-1. BLOCK DIAGRAM.

4-2. The electrical circuits of the voltmeter are shown in the block diagram in figure 4-1; they consist of an input voltage divider controlled by the RANGE switch, a cathode follower input tube, a precision step attenuator controlled by the RANGE switch, a broadband amplifier, an indicating meter, and a regulated power supply. The voltage applied to the INPUT terminals for measurement is divided by 1000 before application to the input cathode follower when the RANGE switch is set to the 1-volt range and higher; the input voltage is applied directly to the cathode follower on the lower ranges. The voltage from the cathode follower is divided in the precision attenuator to be less than 1 millivolt for application to the voltmeter amplifier. The output of the amplifier is rectified in a full-wave bridge rectifier with a d-c milliammeter across its midpoints. The resultant direct current through the meter is directly proportional to the input voltage.

4-3. INPUT VOLTAGE DIVIDER AND STEP ATTENUATOR.

4-4. The input voltage divider limits the signal level applied to the input cathode follower to less than 0.3 volt rms when voltages above this level are measured with the RANGE switch set at the 1-volt range or above. The divider consists of a resistive branch with one element made adjustable to obtain exact 1000:1 division at middle frequencies and a parallel capacitive branch with one element made adjustable to maintain exact 1000:1 division to beyond 4 megacycles. The input impedance of the voltmeter is established by this divider and is the same for all positions of the RANGE switch. On the six low-voltage positions of the RANGE switch, the input divider provides no attenuation of the input voltage. (See figure 5-10 for the complete schematic.)

4-5. The step attenuator in the cathode circuit of the input cathode follower reduces the voltage to be measured to 1 millivolt or less for application to the voltmeter amplifier. Each step of the attenuator lowers the signal level by exactly 10 db ($1:\sqrt{10}$). The attenuator consists of six precision wirewound resistors which are selected to very high accuracy and carefully mounted on a 12-position rotary switch. The RANGE switch rotor has two contactors (see figures 5-9 and 5-10); the first contacts each resistor in turn while the input divider is in the non-attenuating position; the second rotor finger repeats these contacts while the input attenuator is in the attenuating position. On the .001-volt range a fixed capacitor (C15) is automatically connected to provide flat frequency response beyond 4 megacycles. In the .003- and the .01-volt ranges, separate adjustable capacitors (C14, C16) are automatically connected to the attenuator to permit setting the frequency response at 4 megacycles. C14 and C16 are also connected to the attenuator on the 3- and 10-volt ranges. Fixed capacitor C106 (permanently connected) flattens frequency response on the .03- and 30-volt ranges.

4-6. Cathode follower V1 provides a constant, high input impedance to the input voltage divider and INPUT terminals of the voltmeter and provides a relatively low impedance in its cathode circuit to drive the step attenuator. The voltage gain factor across V1 is 0.95.

4-7. BROADBAND VOLTMETER AMPLIFIER.

4-8. Amplification of the signal voltage is provided by a four-stage stabilized amplifier consisting of tubes V2 through V5 and associated circuits. The amplifier provides between 55- and 60-db gain with about 55 db of negative feedback at mid-frequencies. The feedback signal is taken from the plate of the output amplifier (V5) through the meter rectifiers and gain-adjusting circuit to the cathode of the input amplifier (V2). Variable resistor R107 in the feedback network adjusts the negative feedback level to set the basic gain of the amplifier at mid-frequencies, while adjustable capacitor C102 permits setting amplifier gain at 4 megacycles. Variable resistor R118 in the coupling circuit between V4 and V5 permits adjusting the gain of the amplifier at 10 cycles per second by controlling the phase shift of low-frequency signals between these two stages (increasing phase shift decreases degeneration and increases gain).

4-9. Variable resistor R119 in the grid return path for V3, V4, and V5 adjusts the total transconductance of these tubes in order to restrict the maximum gain-bandwidth product of the amplifier. The gain-bandwidth product must be restricted to give a smooth frequency response rolloff above 4 megacycles and to prevent possible unstable operation at frequencies far above 4 megacycles when tubes having unusually high transconductance are used (tube transconductance tolerances during manufacture permit wide variations in new tubes; the adjustment permits the use of such tubes). The plate voltage from V5 is rectified by the meter rectifiers and drives the feedback network. The cathode voltage of V5 is fed to the meter OUTPUT terminals for monitoring purposes. The current through V5, and thus the signal voltage at the cathode, is affected by the loading of the meter rectifiers. For signal levels causing third-scale or more meter deflection, this distortion consists of a very small irregularity near 0 volts on the waveform as each diode begins conduction.

4-10. INDICATING METER CIRCUIT.

4-11. The meter rectifier circuit consists of two silicon diodes and two capacitors connected as a bridge with the indicating meter across the mid-points as shown in figure 4-2. The diodes provide full-wave rectification of the signal current for operating the meter. Electron flow through the meter is supplied in the following manner (see figure 4-2). During the positive-going half cycle of plate voltage on V5, rectifier CR1 conducts electrons from both C32 and C33 back to the B+ buss. The portion of electrons from C33 flows through the meter on the way to B+. At this point in the cycle, both C32 and C33 are charged to the potential of B+ less some small drop in R51 and R52.

4-12. During the negative-going half cycle of the plate voltage of V5, rectifier CR2 conducts electrons back to both C32 and C33 from the plate of V5. That portion of electrons going back to C32 flows through the meter on the way (in the same direction that the electrons flowed in the first, positive, half cycle). At this point in the cycle, both C32 and C33 are discharged. The pulsating current through the meter is smoothed by C34 to prevent meter pointer vibration when measuring low-frequency signals. The current is proportional to the arithmetic average value of the waveform amplitude of the signal. Meter calibration in rms volts is based on the mathematical ratio between the average and rms values of true sine wave current.

4-13. In addition, the bridge serves as a segment of a voltage divider (in series with L11 and R108) connected across the output of the amplifier. The negative feedback voltage fed to the input of the amplifier is obtained across L11 and R108. The alternating charge and discharge of C32 and C33 produce at their junction with L11 an alternating current of the same phase and waveform as that at the plate of V5. This phase is negative with respect to the input signal applied to the first stage of the amplifier (V2), and drives the negative feedback network.

4-14. POWER SUPPLY.

4-15. The power supply consists of tubes V6 through V9 and the associated circuits, as shown in the complete

schematic diagram, figure 5-10. The power supply furnishes regulated +250V d-c voltage for the grid and plate bias circuits of tubes V1 through V5, unregulated 12.6V d-c voltage for the heater supply of tubes V1 through V4, and 6.3V a-c voltage for the heater supply of tubes V5 through V8. The power supply is designed to operate from either a 115-volt ($\pm 10\%$) or a 230-volt ($\pm 10\%$) a-c power source of 50 to 1000 cps. The primary winding of power transformer T1 is arranged in two sections, which can be strapped either in parallel or in series, to permit operation on 115V or 230V, respectively.

4-16. The output of rectifier V6 is applied to the voltage regulator circuit consisting of V7 through V9 which supplies a constant, +250 volts dc to the stabilized amplifier circuit of the voltmeter. Tube V7 is the series regulator tube, and V9 provides a fixed reference voltage drop, with which the output voltage is compared in amplifier V8B. V8A is a cathode follower which couples the reference voltage from V9 to V8B without loading V9. The regulated output voltage is applied to the control grid of V8B, while the reference voltage is applied to its cathode. The difference between the control grid and cathode voltages controls the operating point of V8B and thus its plate voltage, which in turn supplies the grid voltage for regulator V7. Any change in the regulated output of V7 produces a correcting change in the grid bias of V7 through the action of V8B, thus maintaining an essentially constant output voltage despite changes in line voltage or load on the supply. The gain of V8B is high enough to keep the output at the V7 cathode regulated

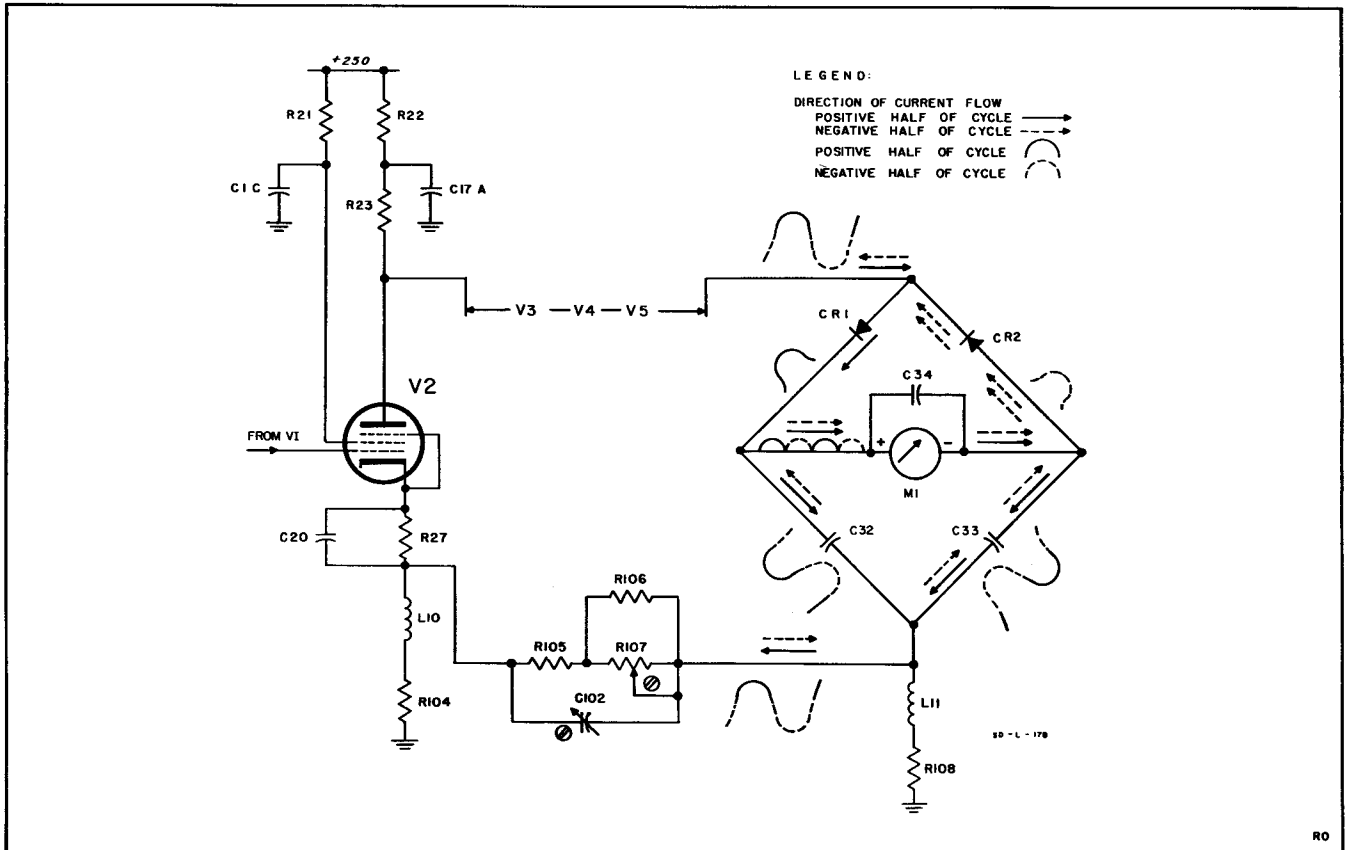


Figure 4-2. Simplified Schematic of Meter Bridge Circuit

to within ± 1 volt dc as the V7 plate voltage is varied $\pm 10\%$, with about 60 ma of load current. The response of the regulating circuits is fast enough to reduce ripple in the output voltage to less than 1 millivolt, supplementing the filtering action of C30. C36 couples the ripple component in the regulated output directly to V8B to avoid attenuation in R62. R57 shunts a small portion of the load current around V7 to prevent excessive V7 plate dissipation at high line voltages. R63 and C35 constitute a low-pass filter which prevents noise generated in V9 from reaching V8B.

4-17. The heater supply for the voltmeter tubes is divided into two sections. One section supplies d-c voltage for the tubes in the input cathode follower and

the amplifier. The other section supplies a-c voltage for the tubes in the power supply. The voltage required for the heaters of tubes V1 through V4 is obtained from 6.3V and 7.3V secondary windings of transformer T1, which are series connected. The voltage developed across the two series-connected windings is rectified by full-wave rectifier CR3, reduced to 12.6 volts by R66 and R68 in parallel, and applied to the series-parallel-connected heaters of V1 through V4, as shown in figure 5-10. The series-parallel connection of the four heaters establishes a voltage of 6.3V for each. The heater of V5 receives 6.3V ac from one of the windings which drives CR3. The heaters of V6, V7, and V8 receive 6.3V ac from a separate 6.3V secondary winding on T1.

SECTION V

MAINTENANCE

5-1. SCOPE.

5-2. This section contains complete instructions for repairing and calibrating the voltmeter. This material is covered in the following groups of paragraphs:

Lead Paragraph	Topic
5-3.	Precautions
5-5.	Test Equipment Required
5-7.	Meter Zero Adjustment
5-9.	Cabinet Removal
5-10.	Tube Replacement
5-13.	Replacement of Special Parts
5-17.	Trouble Shooting
5-20.	Testing the Power Supply
5-22.	Testing Voltmeter Performance
5-24.	Calibration and Frequency Response Adjustments

5-3. PRECAUTIONS.

5-4. Observe the following precautions:

a. Make no adjustments and replace no parts in the voltmeter except as described in one of the following

procedures. If an adjustment or replacement of parts is made without following instructions or understanding the effects, further trouble shooting may be complicated.

b. Do not remove tubes when the voltmeter is turned on. Before replacing tubes refer to paragraph 5-10.

5-5. TEST EQUIPMENT REQUIRED.

5-6. The test equipment required for complete testing of the voltmeter is listed in figure 5-1. Equivalent instruments may be substituted for those listed.

5-7. METER ZERO ADJUSTMENT.

5-8. The meter is properly zero-set when its pointer rests over the zero calibration mark on the meter scale when the instrument is 1) at normal operating temperature, 2) in its normal operating position, and 3) turned off. Adjust the zero-set if necessary, as follows:

a. Allow the voltmeter to operate for 20 minutes so that the meter movement will reach normal operating temperature.

b. Turn the voltmeter off and allow one minute for all capacitors to discharge.

INSTRUMENT TYPE	REQUIRED CHARACTERISTICS	USE	DESIGNATION
Electronic Multimeter	0 to 300 a-c and d-c volts; accuracy of $\pm 3\%$ or better; input impedance 100 megohms.	Voltage and resistance measurement.	ME-26B/U or H-P 410B
Oscillator	10 cps to 300 kc; 3 volts output into 50-ohm load.	Signal source for testing and calibration	H-P 200S
Voltmeter Calibrator (Precision Voltage Source)	400-cps output voltage; 0.001 to 300 volts in 10-db steps $\pm 0.2\%$; 0.1 to 1.0 volt in 0.1 volt steps $\pm 0.2\%$.	Calibrating voltmeter at mid-frequencies.	H-P 738BR
Frequency Response Test Set	300-kc to 4-mc range; 3 volts output into 50-ohm load; 10-db steps, 0 to 70 db.	Calibrating voltmeter frequency response.	H-P 739A
Oscilloscope or AC Voltmeter	10-cps to 4-mc range.	Trouble shooting by signal tracing.	H-P 160B or H-P 400D
Variable Transformer	Adjust line voltage between 103 and 127V ac with 1-amp load.	Checking voltmeter operation with varying line voltage.	CN-16/U or Ohmite VT2
D-C Current Test Set (Milliammeter)	Clip-on type measurement; current range up to 100 ma.	Checking load on power supply.	H-P 428B

Figure 5-1. Test Equipment Required

c. Rotate mechanical zero-adjustment screw clockwise until meter pointer is to the left of zero and moving upscale toward zero.

d. Continue to rotate adjustment screw clockwise; stop when pointer is exactly on zero. If pointer overshoots zero, repeat steps c and d.

e. When pointer is exactly on zero, rotate adjustment screw approximately 15 degrees counterclockwise. This is enough to free the zero adjustment screw from the meter suspension. If pointer moves during this step, because the adjustment screw is turned too far counterclockwise, repeat the procedure of steps c through e.

5-9. CABINET REMOVAL.

a. Remove the two cabinet retaining screws at the rear of the instrument.

b. Push the instrument chassis forward out of the cabinet. The bezel ring remains attached to the front panel.

c. When replacing cabinet, pull power cable through opening at rear of cabinet. Be sure power cable is not caught between chassis and cabinet. Replace retaining screws.

5-10. TUBE REPLACEMENT.



Do not remove tubes from the voltmeter when power is applied. To do so may damage the voltmeter.

5-11. In many cases instrument malfunction can be corrected by replacing a weak or defective tube. Check tubes by substitution while following the voltmeter

performance check procedure in paragraph 5-22. Results obtained through the use of a "tube checker" can be misleading. Before removing the tubes from the instrument, mark the original tubes so they can be returned to the same socket if they are not defective. Replace only those tubes proven to be defective.

5-12. Figure 5-2 lists each tube in the voltmeter with its function and the check or adjustment required if the tube is replaced.

5-13. REPLACEMENT OF SPECIAL PARTS.

5-14. PRECISION RESISTORS AND INDUCTORS. Several parts used in the voltmeter have closer tolerances than those used in most test equipment. Resistors R104, R105, R108, and R111 through R116 are precision components. If these resistors require replacement, use the same value and type as the original, as shown in the parts breakdown. If different values are used or component positions are moved, the calibration of the voltmeter may be inaccurate or the frequency response may be altered. The inductance of L10 and L11 affects the frequency response of the voltmeter. Do not alter the shape or position of these coils. Install replacement components in the same positions the original components occupied, as nearly as possible.

5-15. DIODE RECTIFIERS. Special high-performance silicon diodes selected by the Hewlett-Packard Co. are used for CR1 and CR2. When replacing the silicon diodes, be careful in soldering; heat can damage them. Place a heat sink (such as a long-nose pliers) on each diode lead close to the diode body to conduct the heat away. If CR1 and CR2 are replaced, the voltmeter calibration and frequency response must be checked as described in paragraph 5-22.

5-16. RANGE SWITCH. Because of the critical construction and wiring of switch S1, it is not practical to attempt a major repair on the switch. When mechanical failure occurs in switch S1, replace the complete

CIRCUIT REF.	TYPE	FUNCTION	CHECK OR ADJUSTMENT
V1	6CB6*	Cathode Follower	Calibration and frequency response (para. 5-22)
V2	6CB6	1st Amplifier	
V3	6CB6	2nd Amplifier	
V4	6CB6	3rd Amplifier	
V5	6CB6	4th Amplifier	
V6	6AX5	High Voltage Rectifier	Test of the power supply (para. 5-20)
V7	12B4A	Series Regulator	
V8	6U8	Control Tube	
V9	5651	Reference Tube	

* Note that V1 must be replaced by a 6CB6, aged and selected for low noise and microphonics (*h_p*, Part No. 5080-0621).

Figure 5-2. Adjustments Required When Tubes Are Replaced

switch assembly. Use the following procedure. (Locate parts by referring to figures 5-3 and 5-4; RANGE switch connections are shown in figure 5-9.)

- a. Remove voltmeter cabinet. (See paragraph 5-9.)
- b. Loosen setscrews in RANGE switch knob and remove knob.
- c. Disconnect capacitor C104 from switch S1.
- d. Disconnect white leads from capacitors C14 and C16. Label each lead with a tag.
- e. Remove the two screws and one nut which retain the switch shield plate.
- f. Disconnect white leads from switch contacts. Tag each lead to permit easy connection to the new switch.
- g. Disconnect the heavy dark-green switch lead, the heavy light-green switch lead, and the heavy black switch lead at terminal strips. Tag each lead.

NOTE

The input shield must be removed for access to the terminal board connection of the dark-green lead.

- h. Remove the nut which holds the switch bushing to the front panel.
- i. Remove RANGE switch assembly.
- j. The sequence for installing the replacement RANGE switch assembly is the reverse of the removal procedure.
- k. After replacement of switch S1, check the calibration and frequency response of the voltmeter and make necessary adjustments.

5-17. TROUBLE SHOOTING.

5-18. The first step in trouble shooting is to learn the nature of the symptoms of the malfunction with as much detail as possible. Inspect the test setup being used when symptoms of malfunction were observed, to be sure that the source of trouble is not external to the voltmeter. Then remove the voltmeter cabinet as directed in paragraph 5-9 and inspect the circuits of the voltmeter, looking for signs of overheating, deterioration, and physical damage or tampering. Check the fuse. If the fuse is blown, try another fuse to see if it blows; if it does, measure the d-c resistance of filter capacitors C1, C17, C30, C39, rectifier CR3, and the windings of transformer T1 to locate the short circuit without applying power to the voltmeter.

5-19. If the voltmeter can be turned on safely (without the fuse blowing), measure the line voltage applied to T1 and the voltmeter power supply output voltages (see paragraph 5-20). Check the tubes of the power supply if the regulated voltage is not the proper value or is unstable. Use the procedures of figure 5-5 and the tests described in paragraph 5-22 to learn the full nature of the trouble symptom. Watch for marginal

operation by operating the voltmeter at 103 and 127 line volts while making tests. Check the tubes in the voltmeter amplifier. Measure the tube element voltages at the tube sockets and compare readings with the values shown in the voltage and resistance diagram in figure 5-8. Apply a test signal to the input and measure the voltage of the test signal while tracing it through each coupling network and each stage of amplification. Compare readings with those shown in the block diagram, figure 4-1. In figure 4-1, an a-c current probe, H-P Model 456A, is recommended for the measurement of a-c current in the meter circuit without breaking any leads. If this current probe is not available, avoid measurement of the a-c current. Check meter indications as directed in paragraph 5-22 instead. An oscilloscope may be used for observing test signal waveshape and measuring amplitude, if desired.

5-20. TESTING THE POWER SUPPLY.

5-21. The regulated power supply produces a constant +250 vdc to operate all the tubes in the amplifier section. The stability of the voltmeter depends directly upon the stability of the +250 volts from the supply. When the supply is operating satisfactorily, the +250 volt output remains constant and the ripple level on it remains less than about 1 millivolt for line voltages between 103 and 127 volts. Weak tubes (V6, V7, and V8) are the usual causes of instability. An unstable regulator tube is indicated by excessive line frequency ripple and varying output voltage as the line voltage is changed. Marginal operation is indicated if a trouble symptom appears only when a low or high line voltage is applied. To test the complete power supply proceed as follows:

- a. Connect the voltmeter to an adjustable line transformer so the applied line voltage can be varied between 103 and 127 volts. Set line voltage to 115 volts, turn on the voltmeter, and allow a five-minute warmup period.

- b. Measure the d-c voltage between V6 (pin 8) and ground. Normal value is 410 ± 10 volts with exactly 115 volt power line input. Lower line voltage 10% to 103 volts for 2 minutes. If the d-c voltage slowly drops below 360 volts, replace V6.

- c. Measure the d-c voltage between V7 (pin 1) and ground with line voltage adjusted to 115 volts. Correct value is 250 ± 5 volts.

- d. Vary line voltage from 103 to 127 volts. The d-c voltage observed in step c must not change more than ± 1 volt. For wrong voltage and/or poor regulation, replace V7, V8 or V9.

- e. Measure the a-c voltage between V7 (pin 1) and ground. Ripple voltage must be less than 3 mv for any line voltage (103 to 127 volts). High ripple voltage is caused by defective V8, V7, V6 or V9. Replace in this order.

- f. Measure the direct current in the lead from V7 (pin 1) which must be less than 60 milliamperes. If the current is much too high, the regulator circuit will not function properly. Excessive current indicates

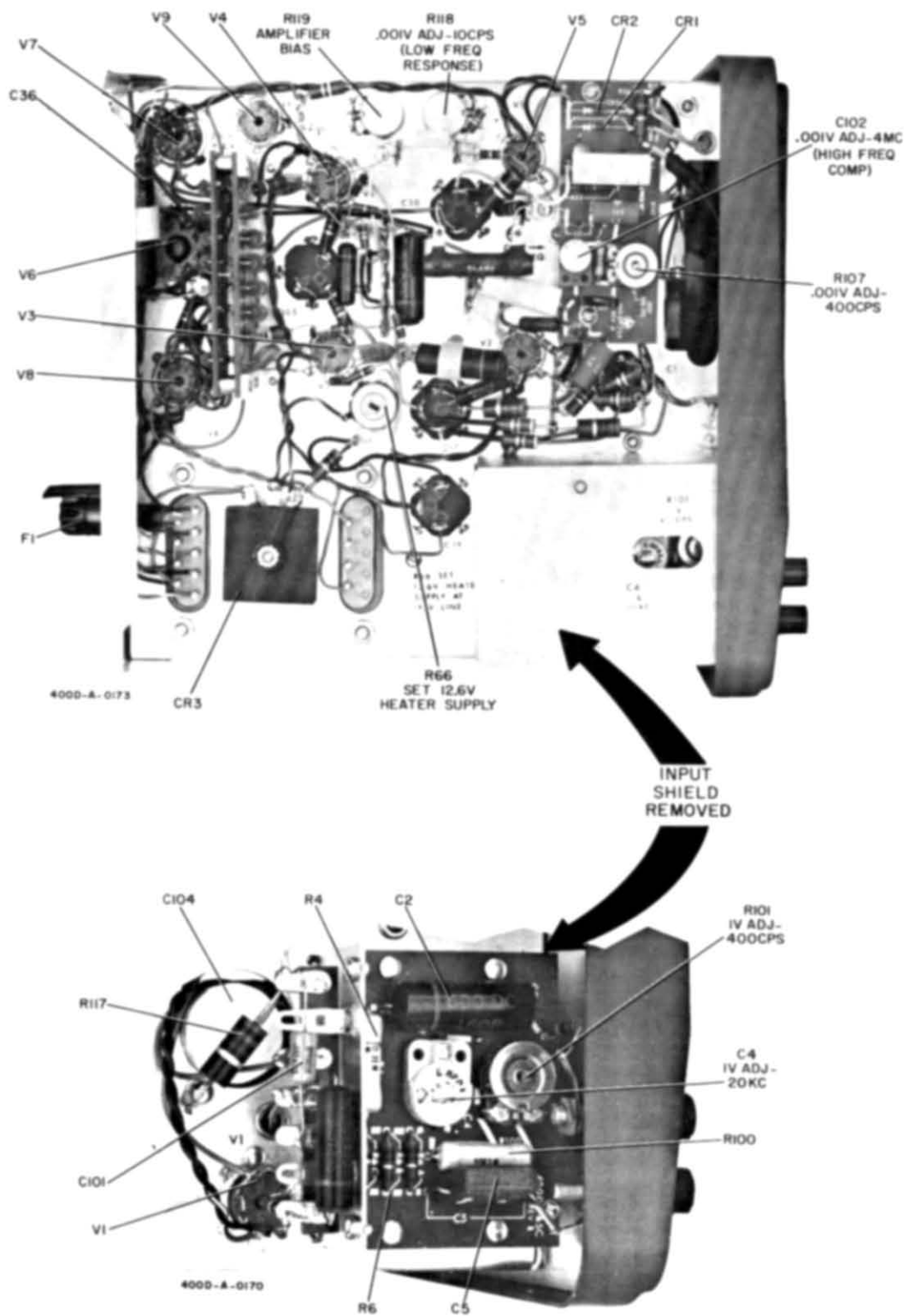


Figure 5-3. Left Side View of Voltmeter Chassis

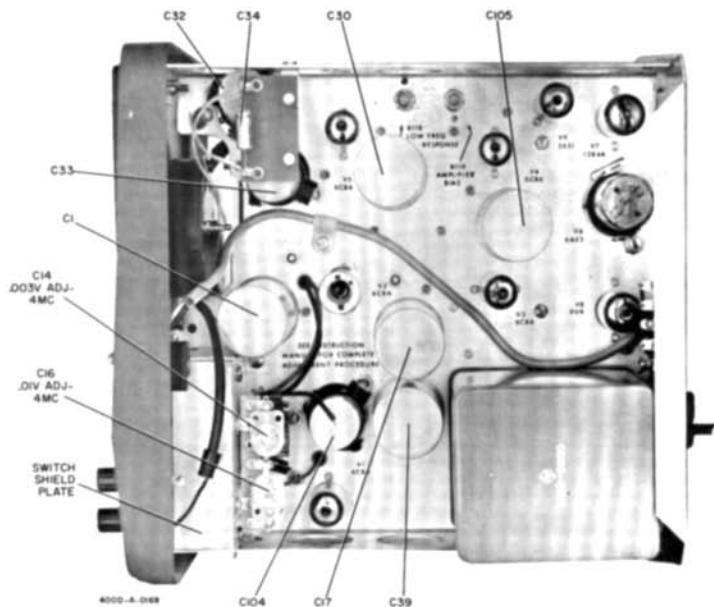


Figure 5-4. Right Side View of Voltmeter Chassis

a short circuit or partial short in the circuits of the voltmeter amplifier section. A clip-on type milliammeter should be used for this measurement.

g. If the output voltage is stable but is incorrect, measure the resistance of R62 and R64. The ratio of these two resistors determines what the output voltage will be. If the value of one of these resistors is incorrect and produces the wrong output voltage, replace it with a resistor which provides the correct output voltage.

h. Measure the d-c voltage across C39A which must be 12.6 volts with a line voltage of 115 volts. If necessary, adjust R66 to obtain 12.6 volts. If the voltage cannot be set to 12.6 volts, check the a-c voltage from the associated transformer windings; also check CR3 and C39.

5-22. TESTING VOLTMETER PERFORMANCE.

5-23. The following test procedure checks the accuracy and stability of the voltmeter at low and high frequencies

and with low and high line voltages. It can be used for comprehensive incoming inspection, for proof of performance, and for trouble shooting. If the readings are within specifications during these tests, the voltmeter is operating properly. This test is made without removing the cabinet. Instruments used to test the accuracy of the voltmeter (see paragraph 5-5) must be known to have sufficient accuracy to make valid measurements. Proceed as follows:

- Connect the voltmeter as shown in figure 5-6. (This setup measures calibration accuracy at mid-frequencies.)
- Set the line voltage to 115 volts, turn the voltmeter on and allow a 30-minute warmup period.
- Check the instrument meter zero setting as instructed in paragraph 5-7.
- Connect the voltmeter to the voltmeter calibrator; set voltmeter RANGE switch to .001, and set voltmeter calibrator VOLTAGE SELECTOR switch to provide 0 volts output.

TROUBLE	PROBABLE CAUSE	REMEDY
1. Power indicator lamp does not light.	<ul style="list-style-type: none"> a. Fuse F1 burned out. b. Power indicator lamp DS1 defective. c. Defective a-c power cable. d. Power switch S2 defective. e. Transformer T1 primary winding terminals incorrectly connected. 	<ul style="list-style-type: none"> a. Replace fuse F1. If replaced fuse blows, check items 2 and 3 below. b. Replace power indicator lamp DS1. c. Repair or replace power cable. d. Replace Power switch S2. e. Check connections of transformer T1 primary winding; rewire if necessary.
2. Fuse F1 blows immediately when Power switch S2 is operated to ON.	<ul style="list-style-type: none"> a. Tube V6 shorted. b. Rectifier CR3 defective. c. Short circuit in transformer T1 or in circuit wiring. 	<ul style="list-style-type: none"> a. Replace rectifier tube V6. b. Replace heater rectifier CR3. c. Remove all tubes, and check transformer windings. Replace transformer T1 if defective. Check for short circuit.
3. Fuse F1 blows after Power switch S2 has been operated to ON and tube heaters have warmed up.	Short in power supply circuit.	Check for short circuit at cathodes V6 and V7. Replace defective component.
4. Power indicator lamp lights; voltmeter does not indicate on all ranges.	<ul style="list-style-type: none"> a. Power supply or voltage regulator circuits defective. b. Rectifier CR3 or circuit component defective. c. Diode CR1 or CR2 defective. 	<ul style="list-style-type: none"> a. Check tubes V6, V9, V7, and V8 in turn. Check high-voltage winding of transformer T1. Replace defective component. b. Check for 12.6 volts dc across output of rectifier CR3. Check resistors R66 and R68. If tubes V1 and V2 are not lighted, check capacitor C39. Replace defective component. c. Replace diode (paragraph 5-15).
5. Meter indication normal on low ranges (.001 to .3 volts). Meter sensitivity distorted on high-voltage ranges (1 to 300 volts).	Compensated 1000:1 divider defective.	Check C4 and R4. Replace defective component.
6. Meter indicates low on all ranges.	<ul style="list-style-type: none"> a. Low amplifier gain. b. Diode CR1 or CR2 defective. 	<ul style="list-style-type: none"> a. Check B+ voltage (paragraph 5-20). Check tubes V2 through V5 for low emission. If any tube is replaced, check and recalibrate the voltmeter (paragraph 5-22). b. Replace diode (paragraph 5-15).
7. Meter indication unstable or erratic.	<ul style="list-style-type: none"> a. Power supply, circuit defective. b. Amplifier tube V1, V2, V3, V4, and V5 defective. 	<ul style="list-style-type: none"> a. Check heaters and B+ voltage. Replace defective component. b. Check V1 through V5 for microphonics or noise. If tube is replaced, check and recalibrate the voltmeter (paragraph 5-22).
8. Meter indication normal on .001 and 1 volt range. Meter sensitivity distorted on all other ranges (.003, .01, .03, .1, .3, 3, 10, 30, 100, and 300 volts).	Faulty RANGE switch S1.	Check switch contacts of S1. Replace RANGE switch S1 if defective (paragraph 5-16).

Figure 5-5. Trouble-Shooting Procedure

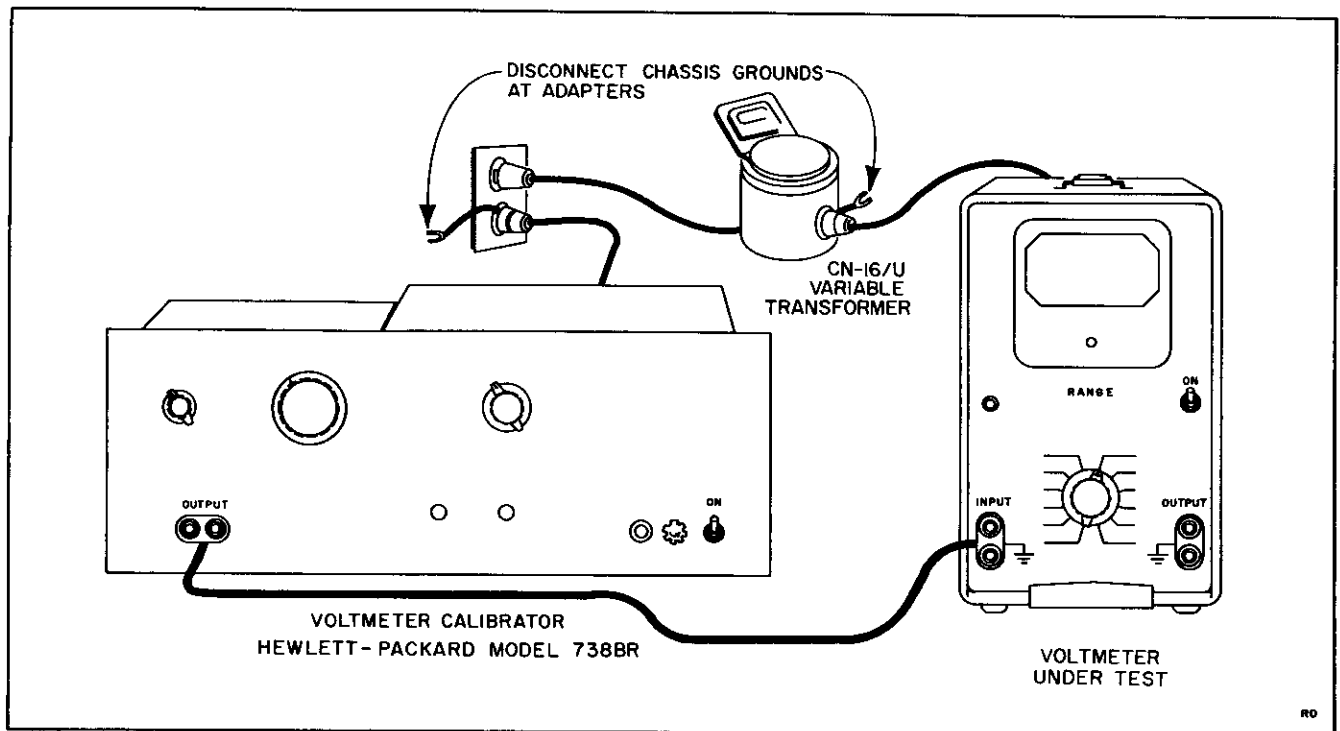


Figure 5-6. Test Setup for Calibration Check and Adjustments

The residual reading on voltmeter must be no higher than the residual reading obtained with voltmeter INPUT terminated with a 10-megohm resistor and shielded to prevent stray pickup. If the residual reading is higher when connected to the calibrator, refer to paragraph 3-12.

e. Set the voltmeter RANGE switch to .001. Set the voltmeter calibrator to provide .001 volt rms (400 cps) output. Record deviation of voltmeter reading from 1 on the voltmeter scale.

f. Set the voltmeter RANGE switch to 1. Set the voltmeter calibrator to provide 1 volt rms output. Record deviation of voltmeter reading from 1 on the voltmeter scale.

g. Still using the voltmeter 1-volt range, reduce the voltmeter calibrator output in 0.1 volt steps. Record deviation of voltmeter readings from each 0.1 volt calibration mark.

h. Compare recorded deviations with the permissible errors listed in the performance specifications in figure 1-2.

i. Connect the voltmeter as shown in figure 5-7 and set line voltage to 115. (This setup measures calibration accuracy at low and high frequencies.)

j. Set voltmeter RANGE switch to .001. Set frequency response test set OUTPUT ATTENUATOR to .001 to measure the lowest voltmeter range; initially set AMPLITUDE control for 0 volts output. Then note volt-

meter reading; it must not be higher than the residual reading noted in step d.

k. Turn the frequency response test set RANGE SELECTOR to EXTERNAL. Set the external oscillator frequency to 400 cps; adjust the oscillator output level to obtain a reading of .9 on the 0 to 1 VOLTS scale of the voltmeter. Then adjust the METER SET control on the frequency response test set to obtain a standard meter indication at the SET LEVEL mark on the test set meter.

l. Tune the external oscillator to 10 cps and adjust its output level to keep the frequency response test set meter reading at SET LEVEL. Do not adjust the METER SET control as this would alter the fixed monitoring point of the meter. Record the voltmeter deviation from .9 on the scale. This reading must be between 0.85 and 0.95 to be within specifications.

m. Set the RANGE SELECTOR on the test set to 3-10 mc, set the FREQ. TUNING dial to 4, and adjust the AMPLITUDE control to keep the frequency response test set meter reading at SET LEVEL. Record the voltmeter deviation from .9 on the scale. This reading must be between 0.85 and 0.95 to be within specifications. The gain and frequency response of the basic voltmeter amplifier is now tested.

n. Repeat step m using line voltages of 103 and 127. Record voltmeter deviation from .9 on the scale.

o. Set voltmeter RANGE switch to .003 and also set the frequency response test set OUTPUT ATTENUATOR to .003 to check this voltmeter range. Repeat steps k and m. Record voltmeter deviation from .9 on the scale.

e. Setting the 20-kc and 4-mc frequency response of the input divider.

NOTE

It is important to follow the complete procedure in the order given, instead of attempting individual adjustments which might appear to correct a certain fault in calibration.

5-27. Although a special voltmeter calibrator instrument and frequency response test set (listed in paragraph 5-5) are shown for calibrating the voltmeter, other precision a-c voltage sources having the required accuracy may be used for this calibration procedure. In the following procedure, the mechanical meter zero-set and the regulated B+ voltage must already be correctly set (see paragraphs 5-7 and 5-20, respectively). Proceed as follows:

a. Connect voltmeter calibrator and voltmeter under test as shown in figure 5-6. (Do not turn on.)

b. Provide a ground-level input to the voltmeter to check for stray pickup between the instruments by setting the voltmeter calibrator controls as follows:

OUTPUT SELECTOR to 400~RMS
RANGE SELECTOR switch to 1.5 - 5
VOLTAGE SELECTOR switch to 0
POWER switch to ON

c. Set the RANGE switch on the voltmeter under test to .001 volt, and the Power switch to ON. Allow at least a ten-minute warmup. Refer to paragraph 3-12 of this manual and to the manual for the Model 738BR Voltmeter Calibrator for a procedure to test for ground currents. Eliminate any ground currents by breaking ground loops as directed in paragraph 3-12.

d. To test the .001 volt range, set the voltmeter calibrator to .001 volt and the voltmeter RANGE switch to .001. If necessary, adjust R107 (figure 5-3) to obtain a reading of exactly 1 on the 0 to 1 VOLTS scale on the panel meter of the voltmeter under test. This sets the gain of the amplifier at audio frequencies.

e. Set the RANGE switch on the voltmeter to the 1-volt range. Set the voltmeter calibrator to 1 volt, to test this range. If necessary, adjust R101 (figure 5-3) to obtain a reading of exactly 1 volt on the voltmeter. This sets the division ratio of the input voltage divider at audio frequencies.

f. Connect the frequency response test set, the oscillator, and the voltmeter under test as shown in figure 5-7. Observe grounding precautions described in step c.

g. On the frequency response test set, set the OUTPUT ATTENUATOR to .001, the RANGE SELECTOR to EXTERNAL, and turn the Power switch ON. This adjusts the frequency response test set to provide an output from the external oscillator for the voltmeter .001-volt range.

h. Set the RANGE switch on the voltmeter under test to .001.

i. Set the oscillator for 400 cps output frequency and adjust its output level to obtain a reading at 0.9 on the voltmeter scale.

j. Adjust the frequency response test set METER SET control to obtain a meter reading at SET LEVEL on the test set. This standardizes the monitoring point of the output level.

k. Set the RANGE SELECTOR and FREQ. TUNING controls of the frequency response test set for 4-mc output frequency and adjust the AMPLITUDE control to provide a reading at SET LEVEL on the meter.

l. If necessary adjust C102 (figure 5-3) to obtain a reading at 0.9 on the voltmeter under test. This sets amplifier gain at video frequencies.

m. While watching voltmeter under test, adjust the frequency response test set FREQ. TUNING control from 4 to 10 Mc while holding output level constant with AMPLITUDE control. The frequency response curve increases from 4 to approximately 6 Mc and then drops off from approximately 6 to 10 Mc. The frequency response of instrument is within specification if voltmeter reading remains in 0 to 0.92 range. If not in specifications adjust R119 and repeat steps g through l.

NOTE

Whenever R119 is adjusted, both lo- and hi-freq. response is affected and must be retested.

n. Readjust oscillator and frequency response test set for 20 cps output and a SET LEVEL indication on the test set meter. If necessary adjust R118 (figure 5-4) to obtain a reading at exactly 0.9 on the voltmeter under test.

o. Repeat step n at a frequency of 10 cps, for a voltmeter reading between 0.85 and 0.95 ($\pm 5\%$). If 10 cps response is outside this range, readjust R118 slightly to bring 10 cps response within the specified limits.

p. Repeat the 400-cps to 4-mc frequency response check (steps g through k) on the .003 volt range of the voltmeter and if necessary adjust C14 (figure 5-4) to obtain a reading of 0.9 on the voltmeter at 4 mc.

q. Repeat the 400-cps to 4-mc frequency response check (steps g through k) on the 0.01 volt range of the voltmeter and if necessary adjust C16 (figure 5-4) to obtain a reading of 0.9 on the voltmeter at 4 mc.

r. On the 1-volt range of the voltmeter, measure frequency response at both 20 kc and 4 mc using a procedure similar to steps g through k. At 20 kc if necessary adjust C4 (figure 5-3) to obtain a reading of 0.9 on the voltmeter. At 4 mc if necessary pad the value of R6 (figure 5-3) to obtain a reading between 0.85 and 0.95 ($\pm 5\%$). R6 consists of several resistors connected in parallel. Increasing the value of one of these resistors raises the meter reading at 4 mc. The input shield must be in place on the voltmeter chassis when making this reading.

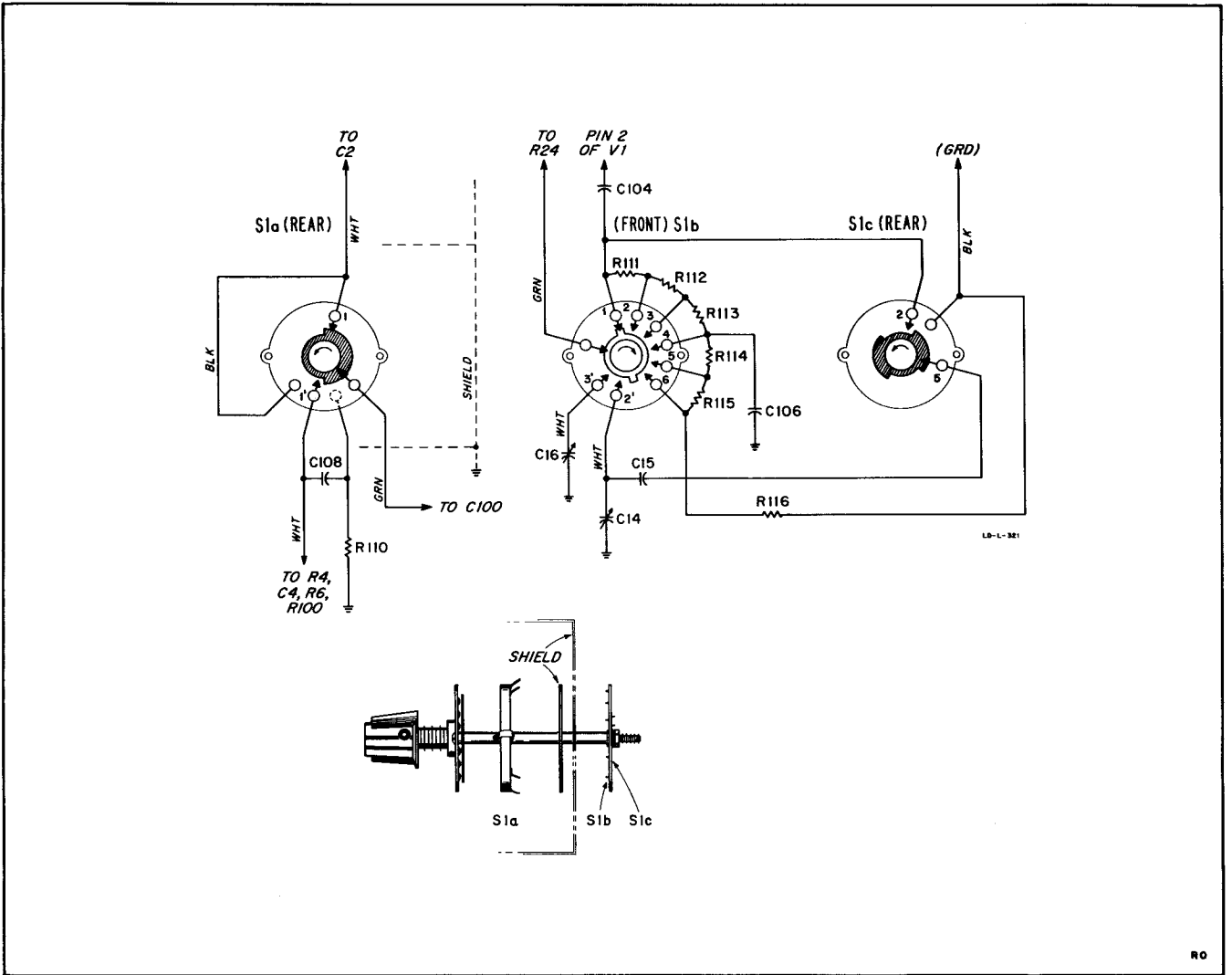


Figure 5-9. Diagram of RANGE Switch

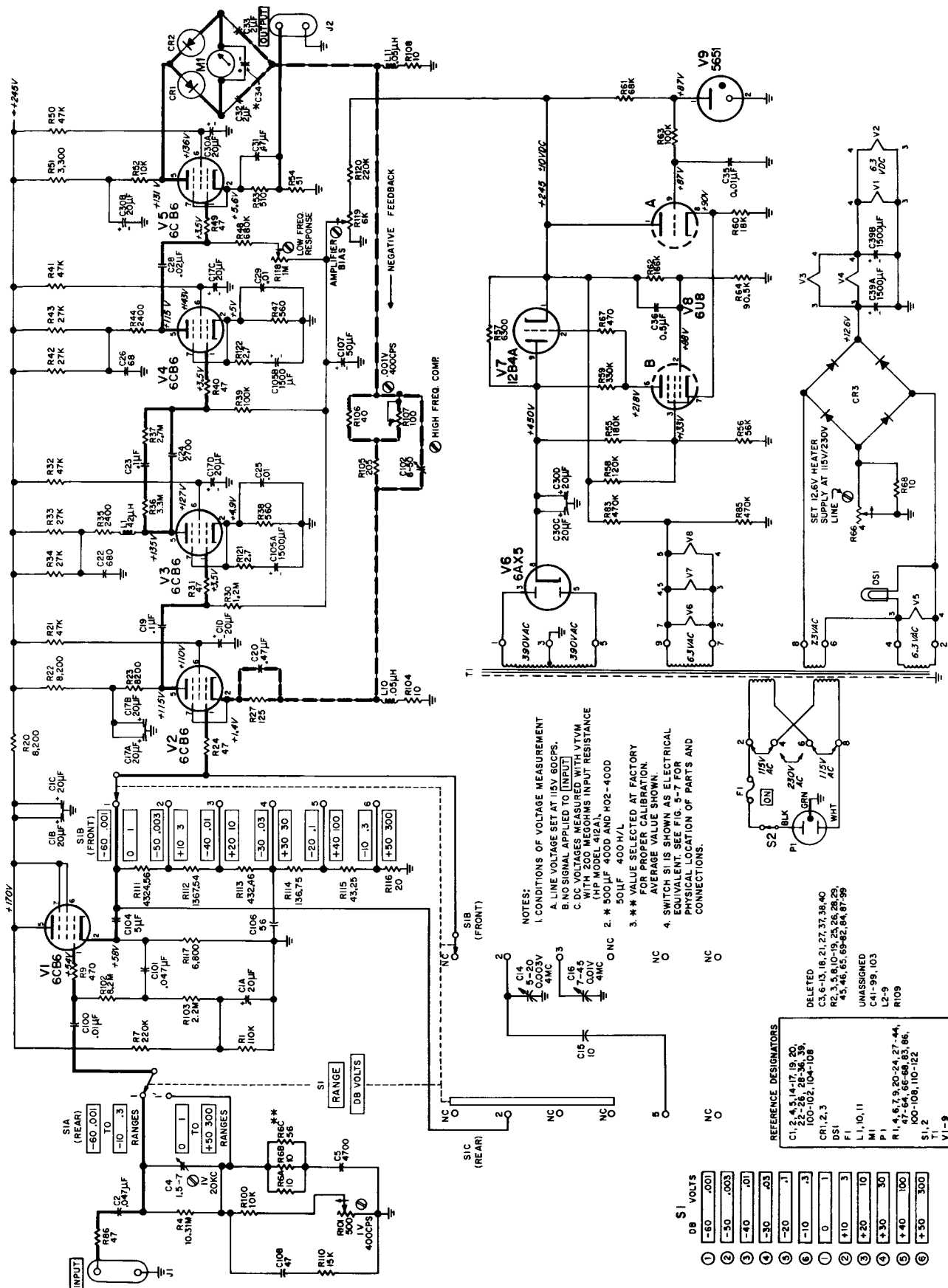


Figure 5-10. Voltmeter Schematic Diagram

NOTES:
 1. CONDITIONS OF VOLTAGE MEASUREMENT
 A. LINE VOLTAGE SET AT 115V. 60CPS.
 B. NO SIGNAL APPLIED TO [FRONT] INPUT.
 C. RESISTANCE MEASUREMENT WITH 200 MEGOHMS INPUT RESISTANCE (HP MODEL 412A).
 2. * 500µF 400D AND H02-400D 50µF 400 H/L
 3. ** VALUE SELECTED AT FACTORY FOR PROPER CALIBRATION. AVERAGE VALUE SHOWN.
 4. SWITCH S1 IS SHOWN AS ELECTRICAL EQUIVALENT. SEE FIG. 5-7 FOR PHYSICAL LOCATION OF PARTS AND CONNECTIONS.

S1	DB VOLTS
1	-60 .000
2	-50 .003
3	-40 .01
4	-30 .03
5	-20 .1
6	-10 .3
7	0
8	+10
9	+20
10	+30
11	+40
12	+50
13	+60
14	+70
15	+80
16	+90
17	+100
18	+110
19	+120
20	+130
21	+140
22	+150
23	+160
24	+170
25	+180
26	+190
27	+200
28	+210
29	+220
30	+230
31	+240
32	+250
33	+260
34	+270
35	+280
36	+290
37	+300

REFERENCE DESIGNATORS	VALUES
C1, 2, 3, 4, 5, 6, 7, 8, 9, 10, 11, 12, 13, 14, 15, 16, 17, 18, 19, 20, 21, 22, 23, 24, 25, 26, 27, 28, 29, 30, 31, 32, 33, 34, 35, 36, 37, 38, 39, 40, 41, 42, 43, 44, 45, 46, 47, 48, 49, 50	DELETED
CRI, 1, 2, 3	DELETED
DS1	R2, 3, 6, 10, 18, 21, 27, 37, 38, 40
F1	R2, 3, 6, 10, 18, 21, 27, 37, 38, 40
L1, 10, 11	UNASSIGNED
M1	C41-99, 103
N1	L2-9
R1, 4, 5, 6, 7, 9, 30-34, 27-44, 47-64, 66-68, 83, 86, 87, 88, 89, 90, 91, 92, 93, 94, 95, 96, 97, 98, 99, 100-108, 110-122	R109
S1, 2	UNASSIGNED
T1	UNASSIGNED
V1-9	UNASSIGNED

hp MANUAL BACKDATING CHANGES

MODELS 400D/H/L, H02-400D

VACUUM TUBE VOLTMETER

Manual Serial Prefixed: 310- (400D/H02-400D)

313- (400H/L)

-hp- Part No. 400D/H/L-902

This manual backdating sheet makes this manual applicable to earlier instruments. Instrument-component values that differ from those in the manual, yet are not listed in the backdating sheet, should be replaced using the part number given in the manual.

Make Manual Changes		Make Manual Changes	
(400D/H02-400D/DR) Below 310-45570	1	(400HR) Below 017-12026	1, 5
(400H/L/HR/LR) Below 313-22176	1	(400LR) Below 048-13256	1, 5
(400L) Below 048-13256	1, 2	(400D/H02-400D/DR) 313-38977 and below	6
(400H) Below 017-12026	1, 3	(400H/L/HR/LR) 310-52371 and below	6
(400DR/HR/LR) ALL	4		

CHANGE #1

Section V, Figure 5-10, Voltmeter Schematic Diagram:

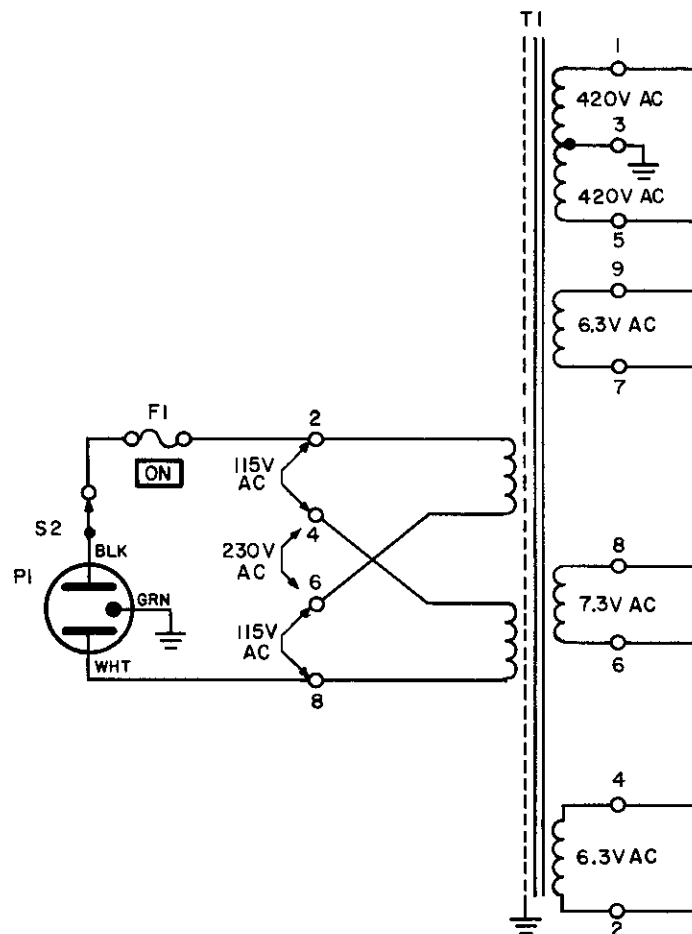


Figure 1

Manual Backdating Changes Model 400D/H/L Page 2

CHANGE #2

Section VII, Figures 7-1-11 and 7-1-14:

Multimeter, Replacement: Change -hp- Part No. to read 1120-0081.
 Panel, Front: Change -hp- Part No. to read 400H-2.

Section VIII, Numerical Indexes:

Change MFR. OR MIL. PART NO. 1120-0098 to read 1120-0081.
 Change MFR. OR MIL. PART NO. 400H-2A to read 400H-2.

Section IX, Reference Designation Index:

Change Reference Designation M1 L MFR. OR MIL. PART NO. and -HP-
 PART NUMBER to read 1120-0081.

CHANGE #3

Section VII, Figures 7-1-11 and 7-1-14:

Multimeter, Replacement: Change -hp- Part No. to read 1120-0048.
 Panel, Front: Change -hp- Part No. to read 400H-2.

Section VIII, Numerical Indexes:

Change MFR. OR MIL. PART NO. 1120-0301 to read 1120-0048.
 Change MFR. OR MIL. PART NO. 400H-2A to read 400H-2.

Section IX, Reference Designation Index:

Change Reference Designation M1 H MFR. OR MIL. PART NO. and -HP-
 PART NUMBER to read 1120-0048.

CHANGE #4

Replacement parts common to rack mount instruments (400DR/HR/LR) only:

ADD

Description	-hp- Part No.
Dust Cover	5000-0627
Panel, Front - DR	400D-2R
HR	400H-2B
LR	400L-2B
Bracket, Panel Mtg.	400D-12B
Insulator, Bushing	400D-41A
Bracket, Mtg. (HR/LR)	5020-0243

DELETE

Description	-hp- Part No.
Cabinet Ass'y	400D-44
Panel, Front - D	400D-2
H/L	400H-2A
Bezel	5020-0137

CHANGE #5

Replacement Parts:

Multimeter Replacement: Change -hp- Part No. to read (HR) 1120-0048; (LR)
 1120-0081.

Panel, Front: Change -hp- Part No. to read (HR) 400H-2R; (LR) 400L-2R.

CHANGE #6

Figure 7-6 and Section VIII:

Change R4, 0698-4116 to 10.31 meg $\pm 1\%$ metal film 1 w, -hp- Part No.
 0730-0143.

Change R100, 0757-0839 to 10 K $\pm 1\%$ metal film 1 w, -hp- Part No. 0730-0029.