

BUF-F Low Cost Buffer Amplifier building block
Mark Connelly - WA1ION DX Labs - 15 SEP 2000

This is usable in projects requiring a high-impedance in / low-impedance out amplifier such as the previously described BUF-A and BUF-E.

BUF-F BUFFER AMPLIFIER CARD
Drawing BUF-F_F1: Schematic

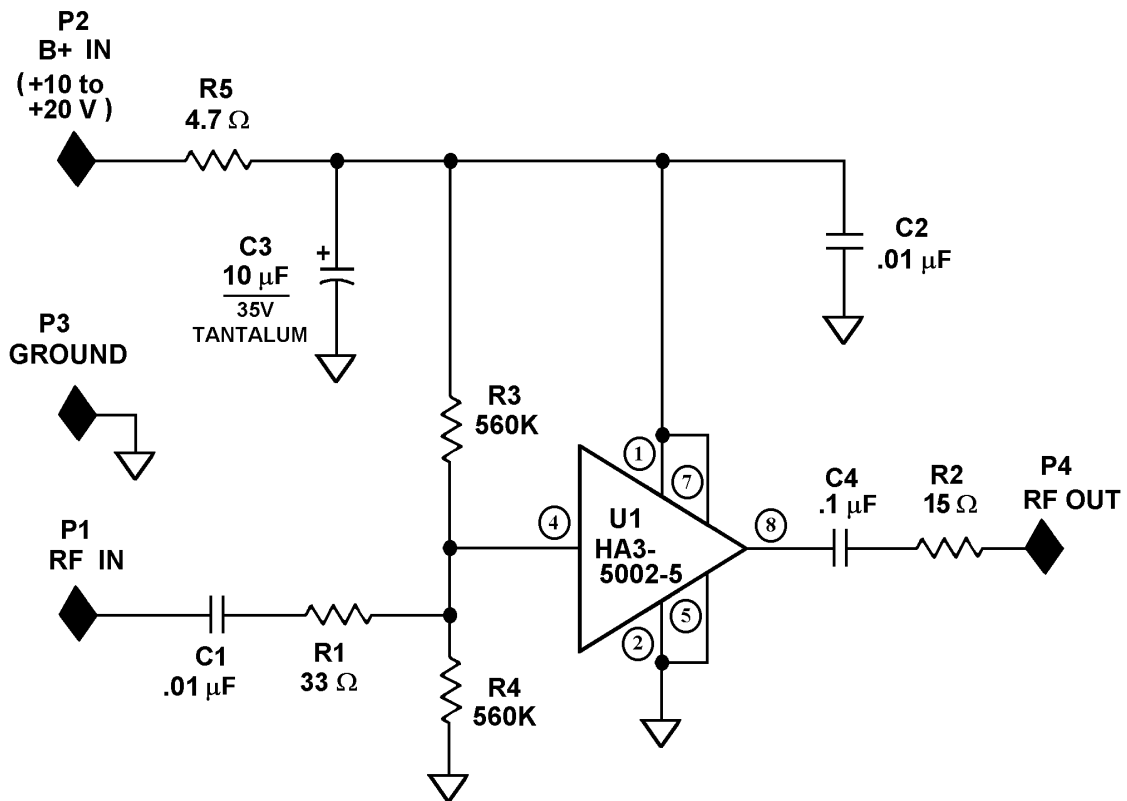
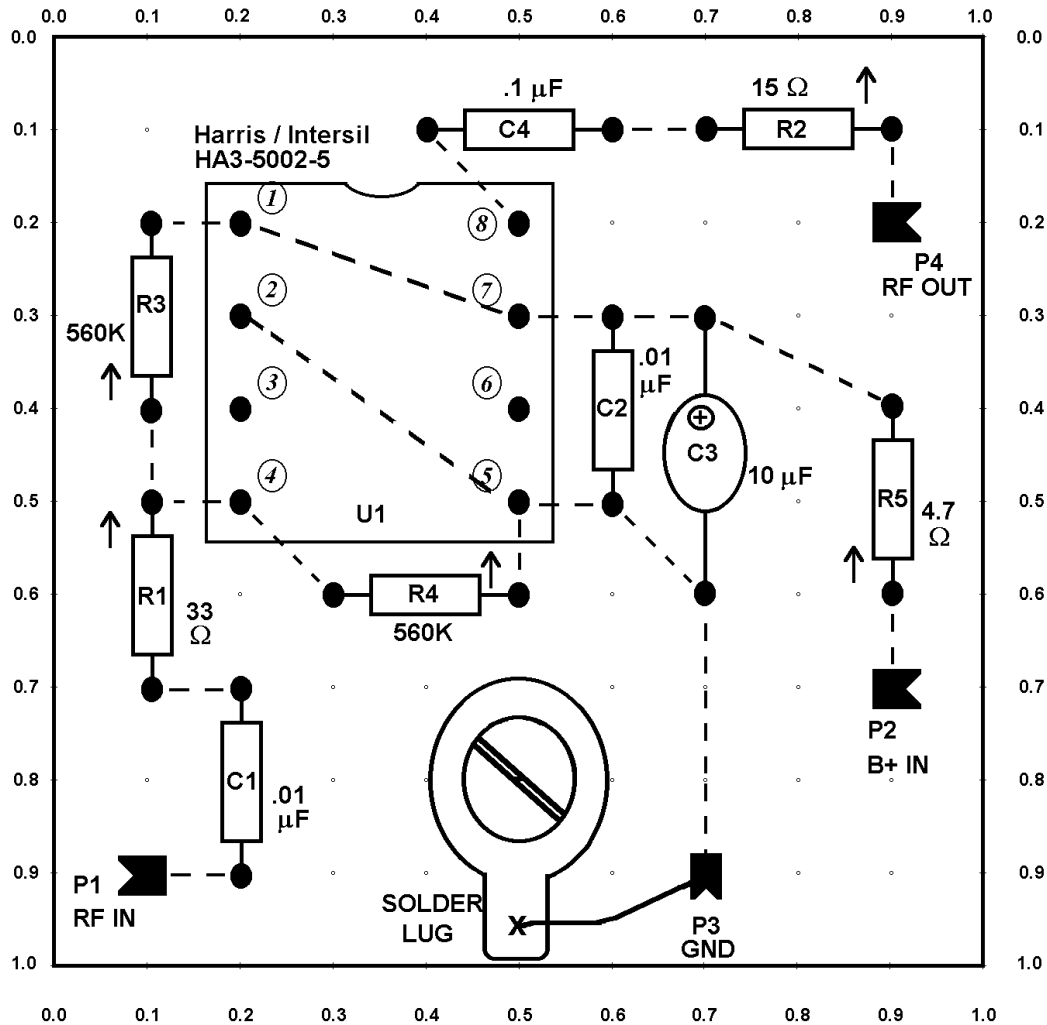


Figure 1 (schematic) above

BUF-F BUFFER AMPLIFIER CARD

Drawing BUF-F_F2: Assembly



NOTES

- ↑ = Long lead side of vertically-mounted component
- - - = Buss wire on solder side of board
- = Buss wire on component side of board
- ◀ = "Flea clip" terminal pin
OPEN SIDE

Figure 2 (assembly) above

BUF-F Buffer Amplifier Revised: 15 SEP 2000

BUF-F Revision: A

Bill Of Materials

Item	Quantity	Reference	Vendor: Stock Number	Part Description	.	Notes	.
					.		.
1	2	C1 - C2	CS: CK05103K	Capacitor, 0.01 uF	.		.
2	1	C3	CS: TAC008	Capacitor, Tantalum, 10 uF, 35 V	.		.
3	1	C4	CS: CK05104K	Capacitor, 0.1 uF	.		.
4	1	H_PB1	RS: 276-1396	Perfboard	.	cut size 1.0" * 1.0"	.
5	1	H_SC1	MOU: 5721-440-1/4	Screw, 4-40 * .25"	.	stock num.= 100 pieces	.
6	1	H_SL1	MOU: 534-7311	Solder lug, #4, internal tooth	.		.
7	1	H_SO1	CS: CA-8	Socket, 8-pin DIP	.	for U1	.
8	1	H_SP1	MOU: 534-1450C	Spacer, 4-40 * .5"	.		.
9	4	P1 - P4	CS: T42-1/100	Flea-clip Terminal Pin for .042" hole	.		.
10	1	R1	CS: RA33	Resistor, 33 ohm	.		.
11	1	R2	CS: RA15	Resistor, 15 ohm	.		.
12	2	R3 - R4	CS: 560K	Resistor, 560K	.		.
13	1	R5	CS: RA4.7	Resistor, 4.7 ohm	.		.
14	1	U1	NEW: 06F5241 (or) ALD: 903-3056	Harris HA3-5002-5 Buffer Amplifier, 8-pin DIP	.		.

Vendor Codes

ALD: Allied Electronics, Inc.: <http://www.allied.avnet.com>

CS: Circuit Specialists: <http://www.cir.com>

MOU: Mouser Electronics: <http://www.mouser.com>

NEW: Newark Electronics: <http://www.newark.com>

RS: Radio Shack: <http://www.radioshack.com>