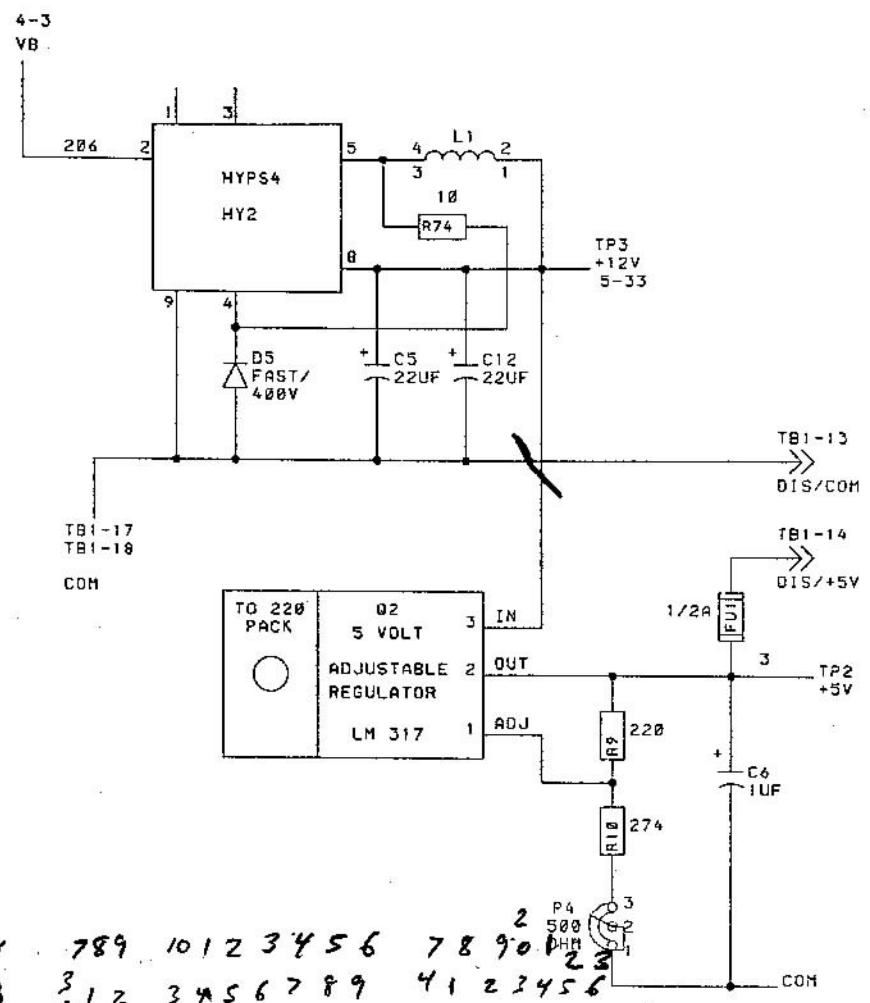
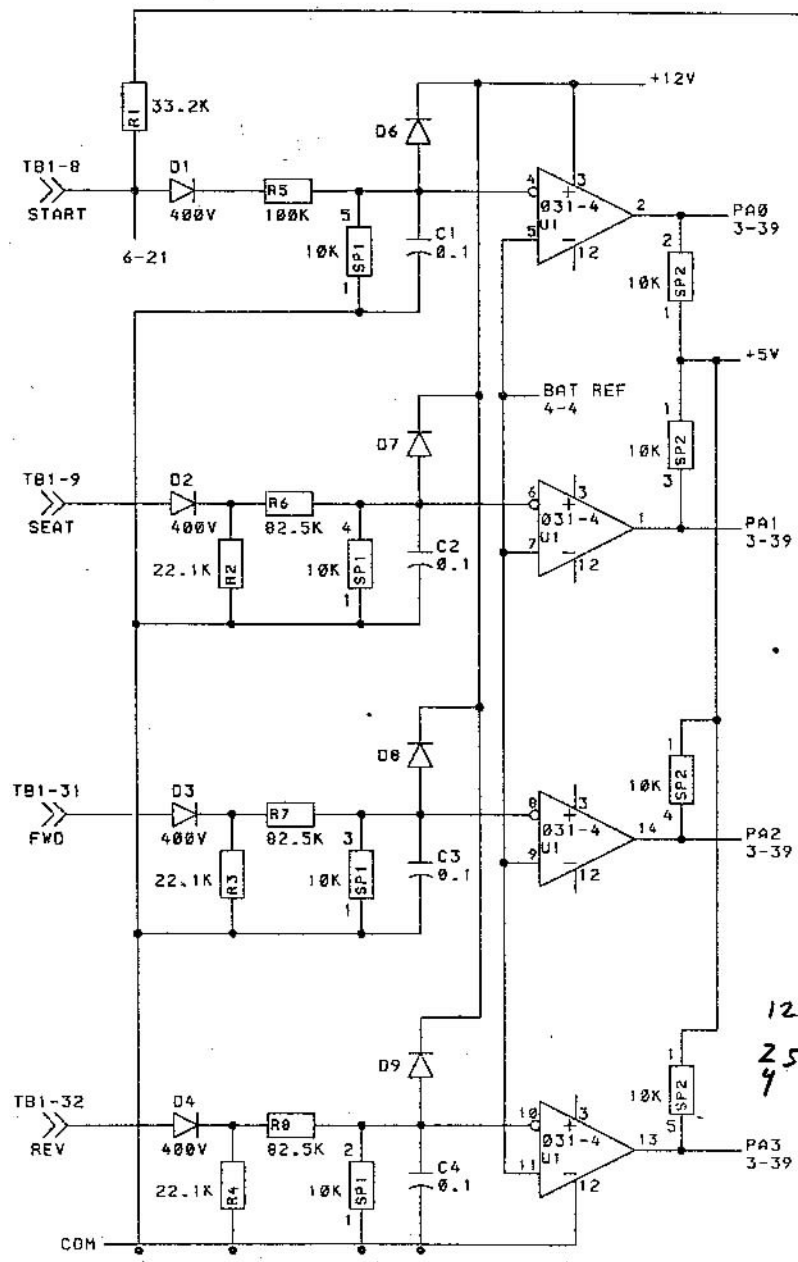


TB1-30 KEY
 5-4
 6-20
 6-41
 2-4

R01	
SHT	REV
1	0
2	0
3	0
4	0
5	0
6	0
7	0



12 3 4 5 6 7 8 9 10 11 12 13 14 15 16 17 18 19 20 21 22 23 24 25 26 27 28 29 30 31 32 33 34 35 36 37 38 39 40 41 42 43 44 45 46 47 48 49 50

REFERENCE SHEET NO.
 EV15A
 BOARD SH. NO. 1

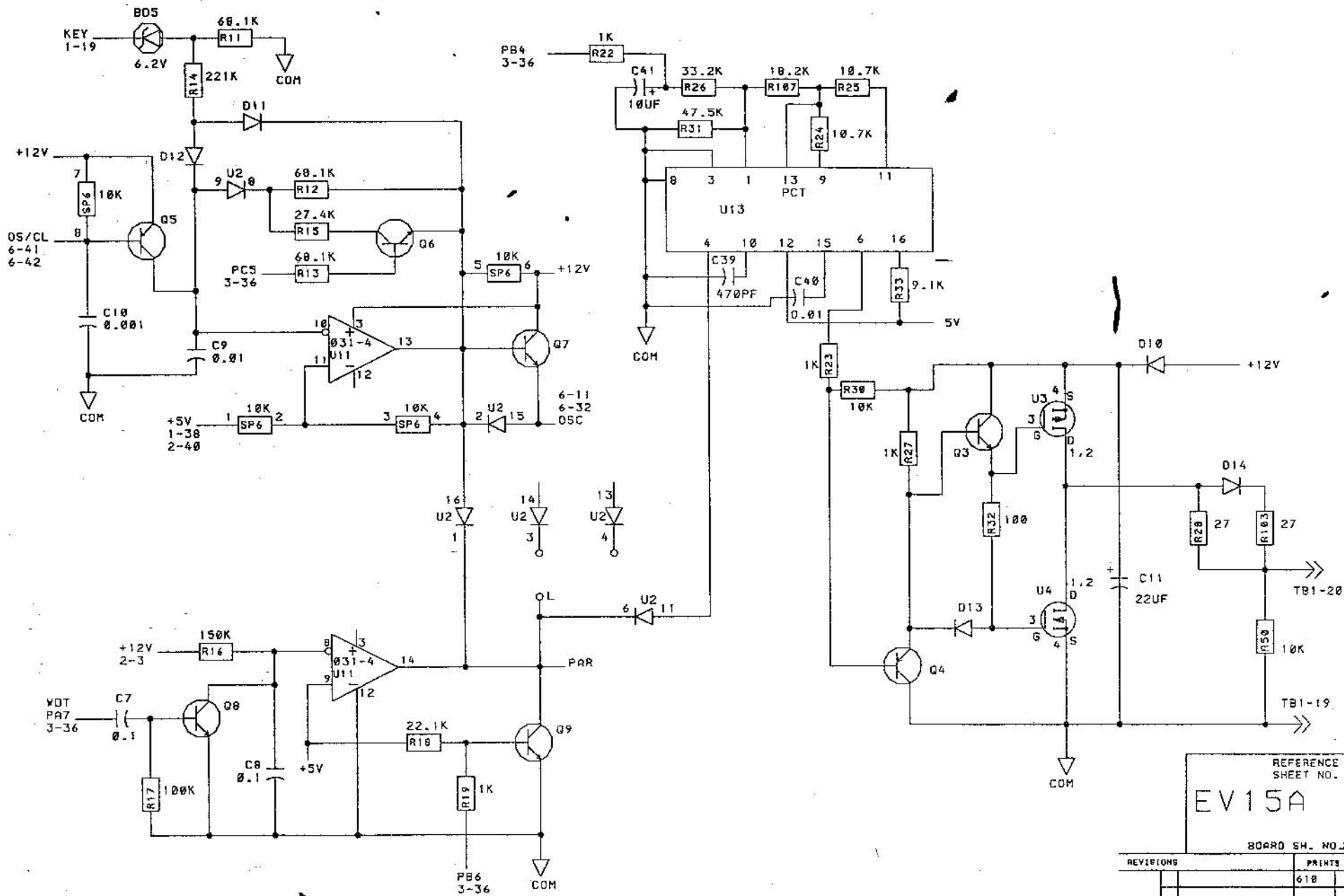
INFORMATION CONTAINED HEREIN IS PROPRIETARY INFORMATION OF THE GENERAL ELECTRIC COMPANY. THE DISSEMINATION, USE, OR DUPLICATION OF THIS INFORMATION FOR ANY PURPOSE OTHER THAN THAT FOR WHICH THE INFORMATION IS PROVIDED IS PROHIBITED BY THE GENERAL ELECTRIC COMPANY EXCEPT BY EXPRESS PERMISSION.

UNLESS OTHERWISE SPECIFIED ALL RESISTORS - 1/4W, 5% MEASURED IN OHMS CAPACITOR VALUES IN MICROFARADS UNLESS FOLLOWED BY PF - PICOFARADS

UNLESS OTHERWISE SPECIFIED USE THE FOLLOWING:-

GR

TITLE
EV15A
FIRST MADE FOR EV



INFORMATION CONTAINED HEREIN IS PROPRIETARY INFORMATION OF THE GENERAL ELECTRIC COMPANY. THE DISSEMINATION, USE, OR DUPLICATION OF THIS INFORMATION FOR ANY PURPOSE OTHER THAN THAT FOR WHICH THE INFORMATION IS PROVIDED IS PROHIBITED BY THE GENERAL ELECTRIC COMPANY EXCEPT BY EXPRESS PERMISSION.

UNLESS OTHERWISE SPECIFIED ALL
RESISTORS - 1/4W, 5% MEASURED IN OHMS
CAPACITOR VALUES IN MICROFARADS
UNLESS FOLLOWED BY PF = PICO FARADS

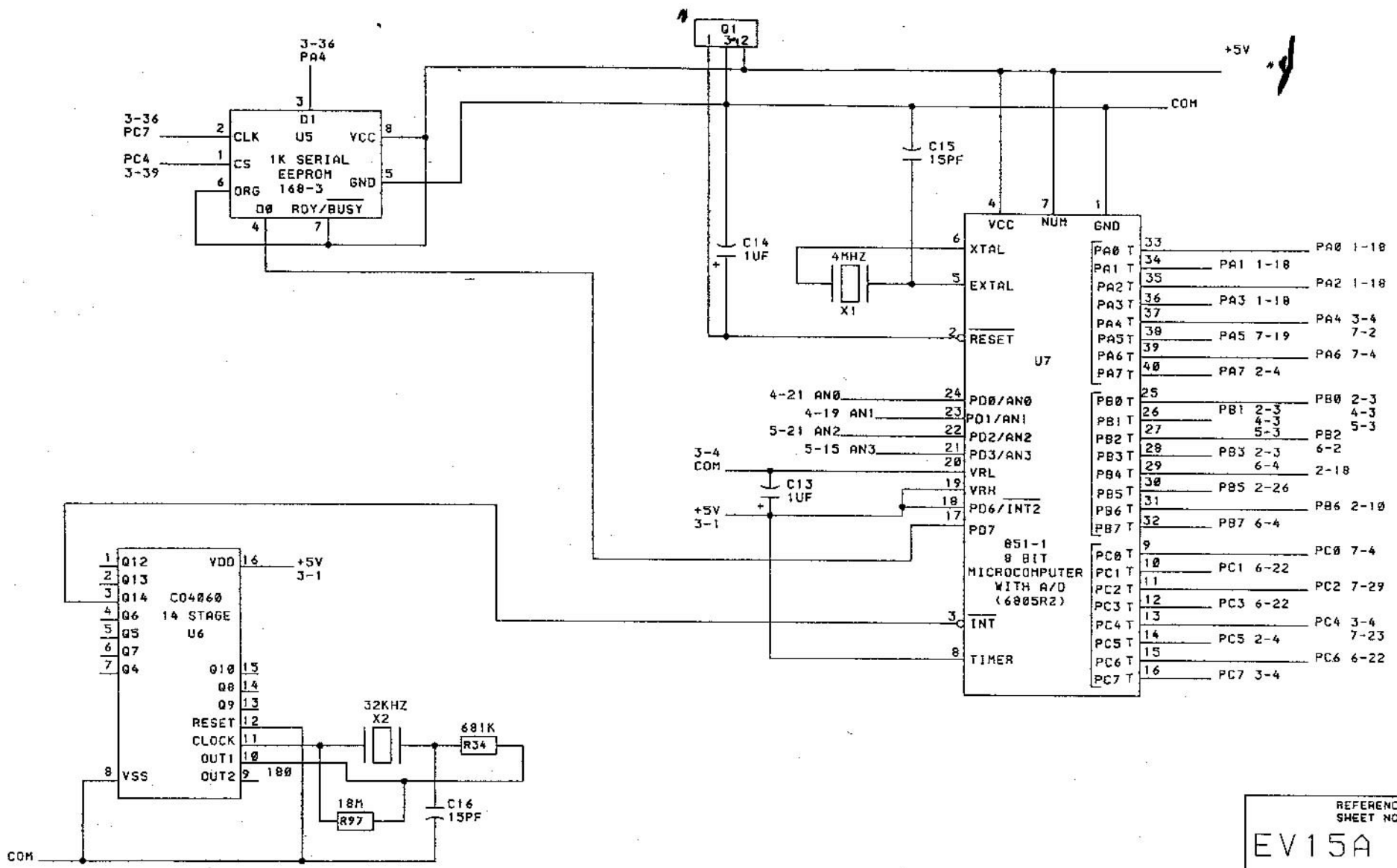
REFERENCE SHEET NO.
EV15A
BOARD SH. NO. 2

REVISIONS	PRINTS TO
	618 67
	PS
	PS

MADE BY CAD 2/28/91
ISSUED 7-29-91
JL/RRP

INDUSTRIAL CONTROL DIV. OR DEPT.
CHARLOTTEVILLE, VA.
44C741239

A
B
C
D
E



REFERENCE SHEET NO. EV15A
 BOARD SH. NO. 3

REVISIONS	PRINTS TO
	610 29
	65
	66

INFORMATION CONTAINED HEREIN IS PROPRIETARY INFORMATION OF THE GENERAL ELECTRIC COMPANY. THE DISSEMINATION, USE, OR DUPLICATION OF THIS INFORMATION FOR ANY PURPOSE OTHER THAN THAT FOR WHICH THE INFORMATION IS PROVIDED IS PROHIBITED BY THE GENERAL ELECTRIC COMPANY EXCEPT BY EXPRESS PERMISSION.

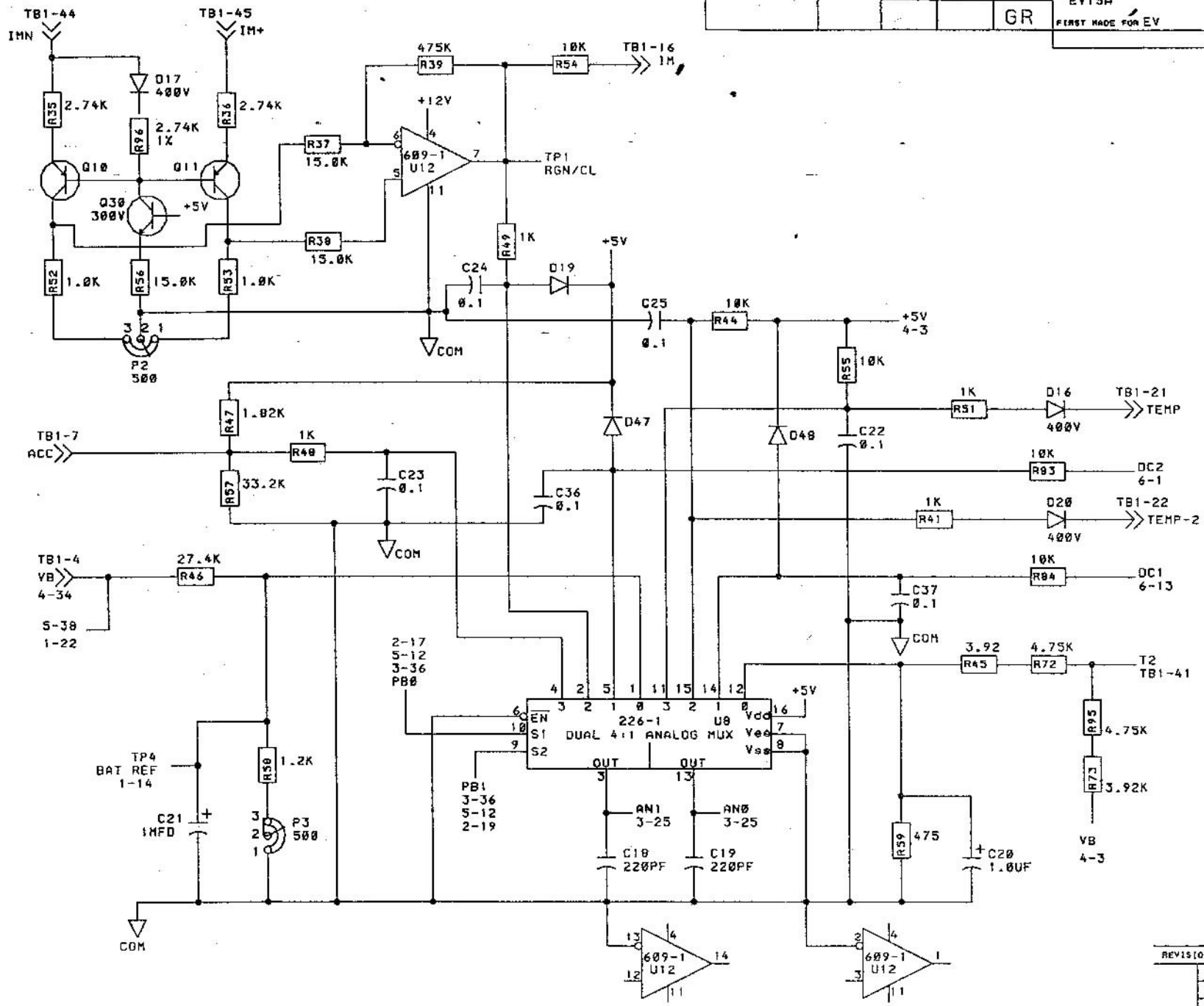
UNLESS OTHERWISE SPECIFIED ALL
 RESISTORS - 1/4W, 5% MEASURED IN OHMS
 CAPACITOR VALUES IN MICROFARADS
 UNLESS FOLLOWED BY PF - PICOFARADS

MADE BY CAD 2/20/91
 ISSUED 7-9-91
 INDUSTRIAL CONTROL DIV. DEPT. 44C741239
 CHARLOTTEVILLE, VA. CONT ON SHEET 4 SH NO. 3

UNLESS OTHERWISE SPECIFIED USE THE FOLLOWING:-

TITLE EV15A
FIRST MADE FOR EV

GR



REFERENCE SHEET NO.
EV15A

BOARD SH. NO. 4

REVISIONS	PRINTS TO
	610 67
	85
	85

INFORMATION CONTAINED HEREIN IS PROPRIETARY INFORMATION OF THE GENERAL ELECTRIC COMPANY. THE DISSEMINATION, USE, OR DUPLICATION OF THIS INFORMATION FOR ANY PURPOSE OTHER THAN THAT FOR WHICH THE INFORMATION IS PROVIDED IS PROHIBITED BY THE GENERAL ELECTRIC COMPANY EXCEPT BY EXPRESS PERMISSION.

UNLESS OTHERWISE SPECIFIED ALL
RESISTORS - 1/4W, 5% MEASURED IN OHMS
CAPACITOR VALUES IN MICROFARADS
UNLESS FOLLOWED BY PF - PICO FARADS

MADE BY CAD 2/20/91
ISSUED 7-9-91

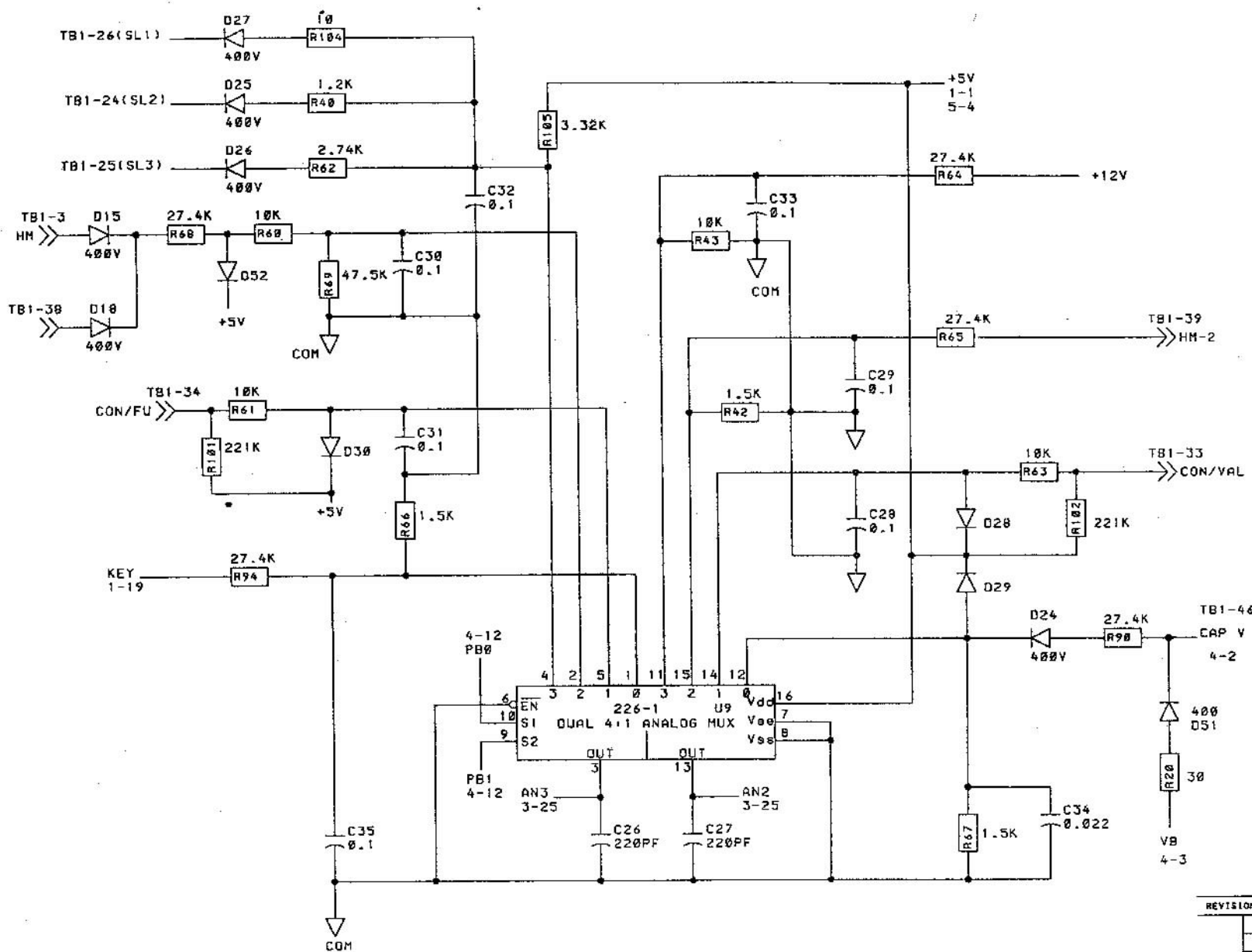
INDUSTRIAL CONTROL DIV OF
CHARLOTTEVILLE, VA.

440741239
CONT. ON SHEET 5 SH. NO. 4

UNLESS OTHERWISE SPECIFIED USE THE FOLLOWING:-
GR

TITLE
EV15A
FIRST MADE FOR EV

A
B
C
D
E



REFERENCE SHEET NO.
EV15A
BOARD SH. NO. 5

REVISIONS	PRINTS TO
	618 69
	PC
	EE

INFORMATION CONTAINED HEREIN IS PROPRIETARY INFORMATION OF THE GENERAL ELECTRIC COMPANY THE DISSEMINATION, USE, OR DUPLICATION OF THIS INFORMATION FOR ANY PURPOSE OTHER THAN THAT FOR WHICH THE INFORMATION IS PROVIDED IS PROHIBITED BY THE GENERAL ELECTRIC COMPANY EXCEPT BY EXPRESS PERMISSION.

UNLESS OTHERWISE SPECIFIED ALL
RESISTORS - 1/4W, 5% MEASURED IN OHMS
CAPACITOR VALUES IN MICROFARADS
UNLESS FOLLOWED BY PF - PICOFARADS

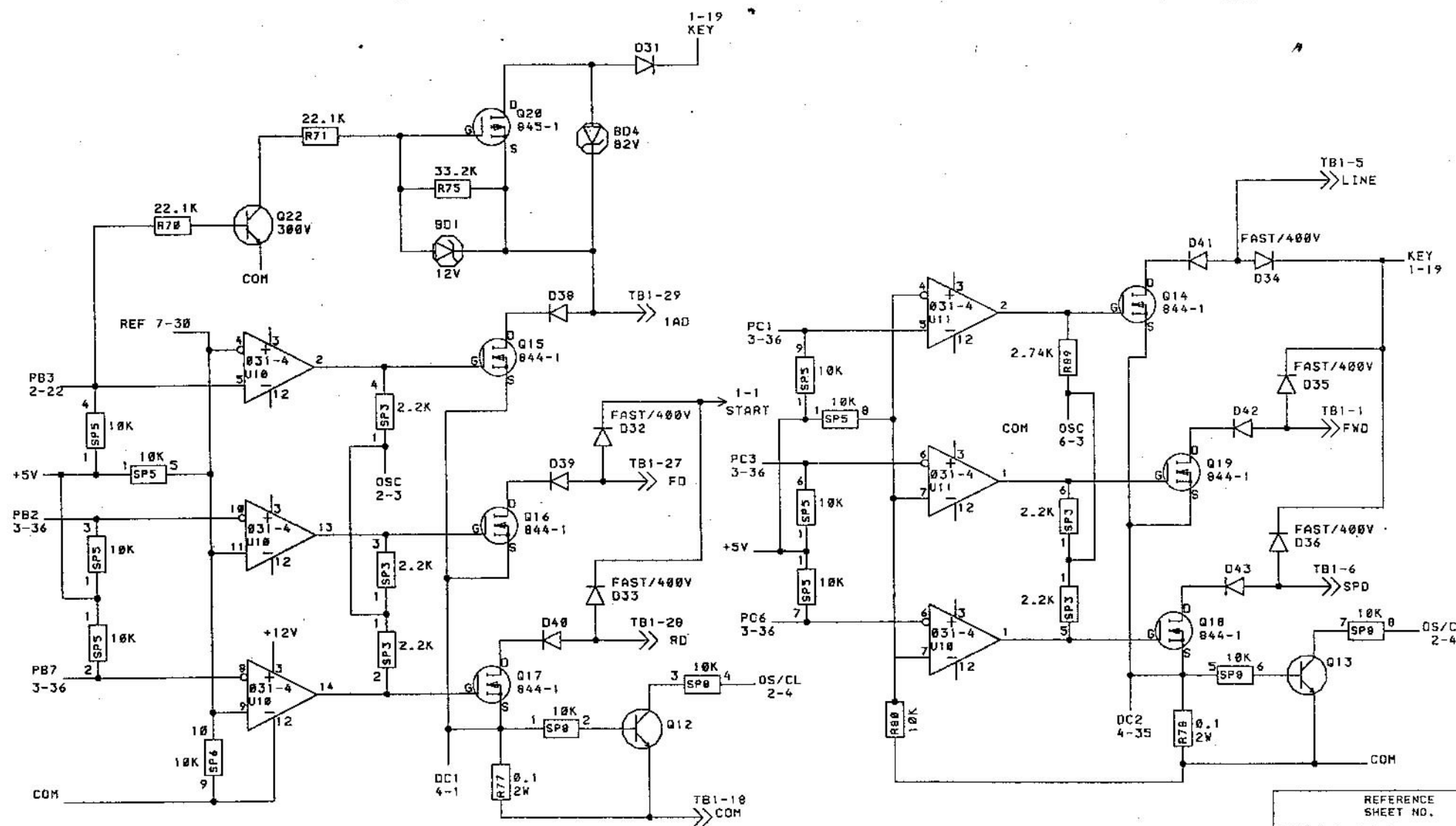
MADE BY CAD 2/20/91
ISSUED 7.9.91
INDUSTRIAL CONTROL DEPT
CHARLOTTE, N.C. 28217
44C741239

UNLESS OTHERWISE SPECIFIED USE THE FOLLOWING:-

TITLE
EV15A
FIRST MADE FOR EV

GR

A
B
C
D
E



INFORMATION CONTAINED HEREIN IS PROPRIETARY INFORMATION OF THE GENERAL ELECTRIC COMPANY THE DISSEMINATION, USE, OR DUPLICATION OF THIS INFORMATION FOR ANY PURPOSE OTHER THAN THAT FOR WHICH THE INFORMATION IS PROVIDED IS PROHIBITED BY THE GENERAL ELECTRIC COMPANY EXCEPT BY EXPRESS PERMISSION.

UNLESS OTHERWISE SPECIFIED ALL
RESISTORS - 1/4W, 5% MEASURED IN OHMS
CAPACITOR VALUES IN MICROFARADS
UNLESS FOLLOWED BY PF - PICOFARADS

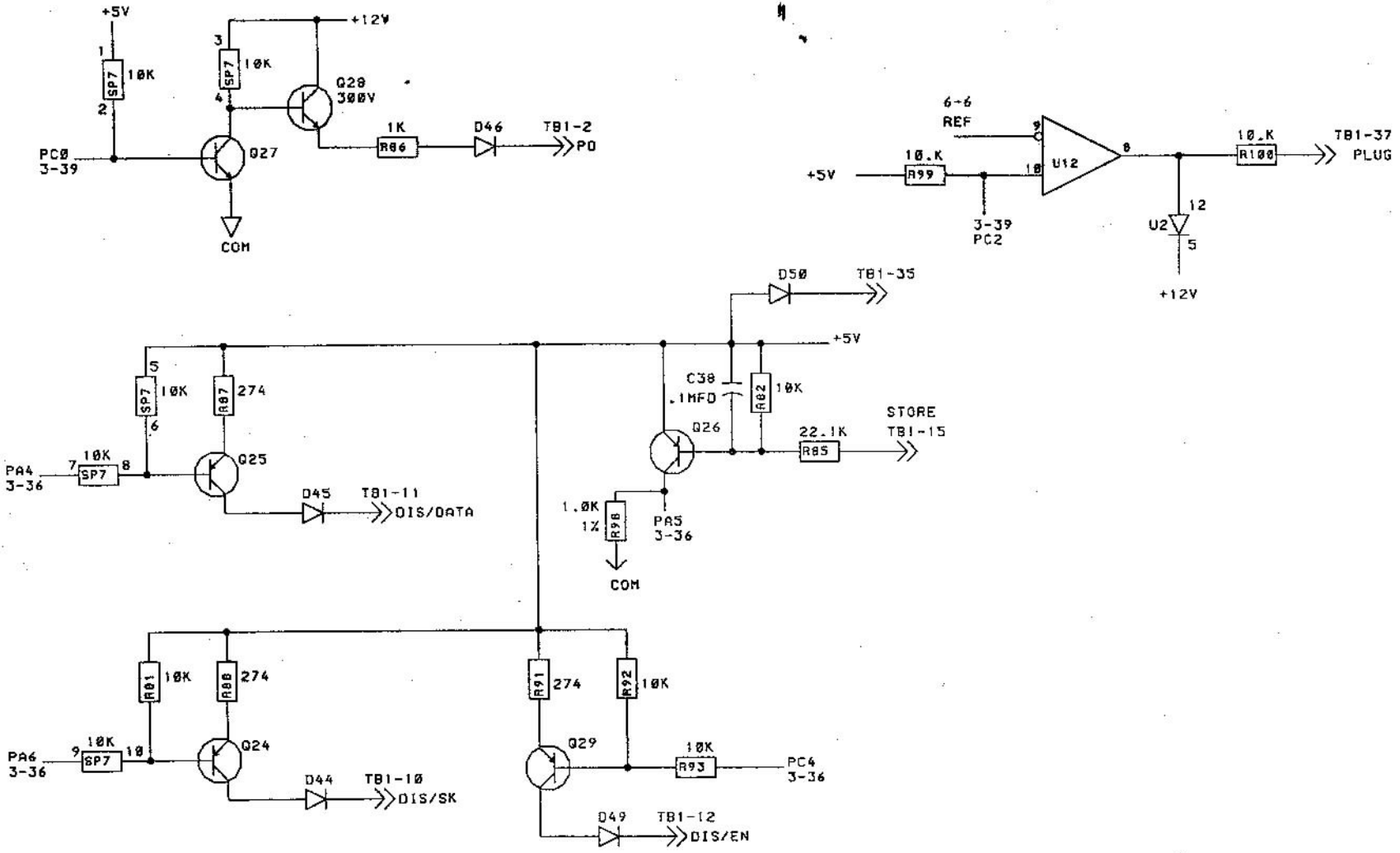
REFERENCE SHEET NO.
EV15A

BOARD SH. NO. 5

REVISIONS	PRINTS TO
	618 69
	73
	75

MADE BY CAD 2/28/91 11 1PP INDUSTRIAL CONTROL DIV OR DEPT 44C741239

GR



INFORMATION CONTAINED HEREIN IS PROPRIETARY INFORMATION OF THE GENERAL ELECTRIC COMPANY THE DISSEMINATION, USE, OR REPLICATION OF THIS INFORMATION FOR ANY PURPOSE OTHER THAN THAT FOR WHICH THE INFORMATION IS PROVIDED IS PROHIBITED BY THE GENERAL ELECTRIC COMPANY EXCEPT BY EXPRESS PERMISSION.

UNLESS OTHERWISE SPECIFIED ALL
 RESISTORS - 1/4W, 5% MEASURED IN OHMS
 CAPACITOR VALUES IN MICROFARADS
 UNLESS FOLLOWED BY PF - PICO FARADS

MADE BY CAD 2/28/91
 ISSUED 7-9-91
 INDUSTRIAL CONTROL DIV. OF GEN. ELECTRIC CO. CHARLOTTEVILLE, VA.
 44C741239
 CONT. ON SHEET FNL SH. NO. 7

REFERENCE SHEET NO.
 EV15A
 BOARD SH. NO. 7 FNL

REVISIONS	PRINTS TO
	618 61
	82
	83

D
 B
 C
 D
 E