

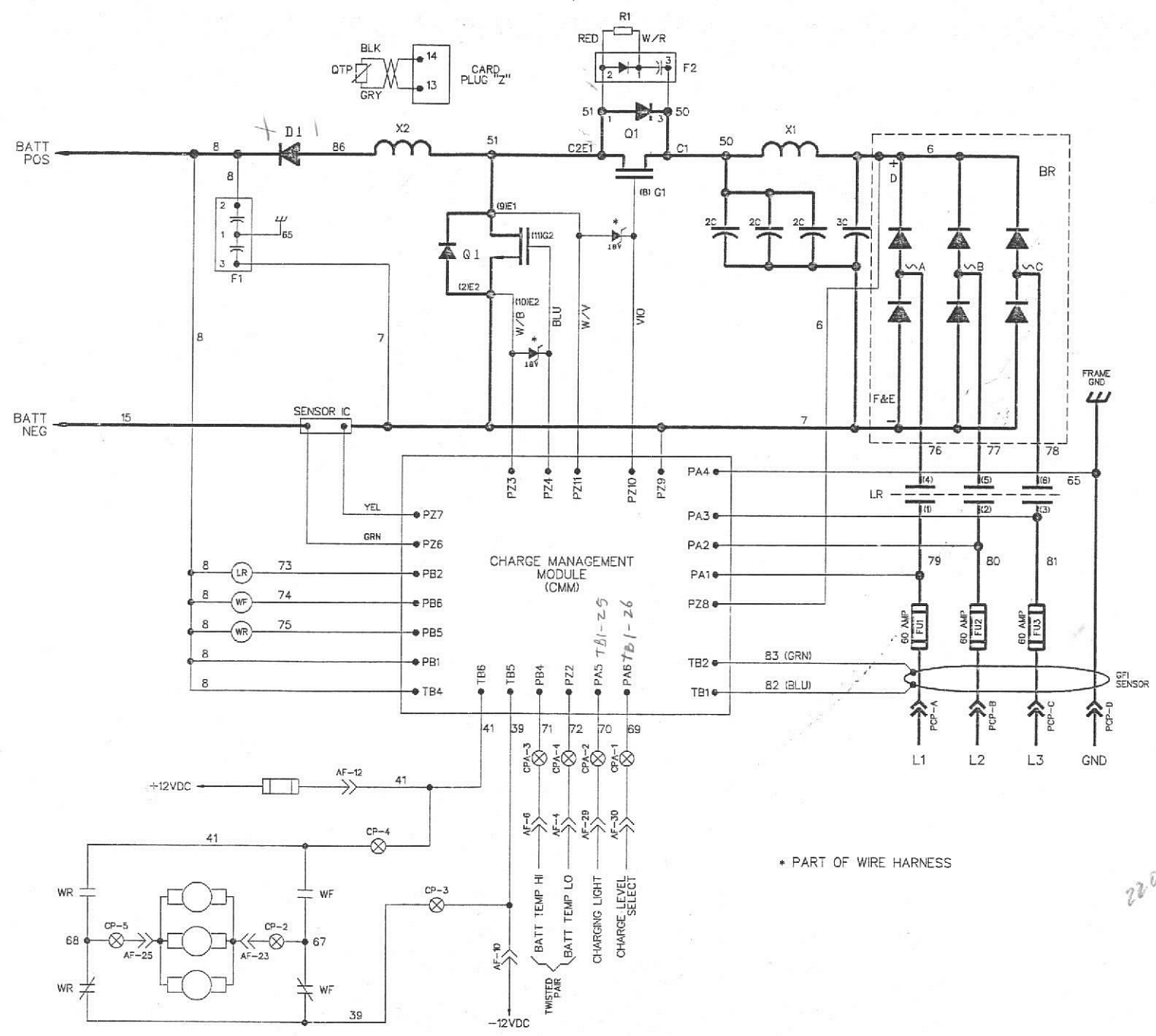
GE (USA) CONFIDENTIAL AND PROPRIETARY

This GE document contains confidential and proprietary information of GE Electrical Distribution & Control (ED&C). It is loaned on condition that it and the information therein shall not be used by recipient nor be disclosed to others except as expressly approved by ED&C. Any document containing such information shall be returned on request.

UNLESS OTHERWISE SPECIFIED USE THE FOLLOWING:			
APPLIED PRACTICES	SURFACES	TOLERANCES ON UNDIMENSIONED DIMENSIONS	
273A7910	✓	FRACTIONAL	DECIMAL
		±	±
			ANGLES
			±

TITLE	ELEMENTARY
FIRST MADE FOR CHRYSLER	

A
B
C
D
E



220 max output voltage

REVISIONS			PRINTS TO
R	83EV170	7/12/93	37
		86S16	44
			85
			EVNK
			EVNG

DRAWING NO. CONT ON SHEET SH NO. REV NO.