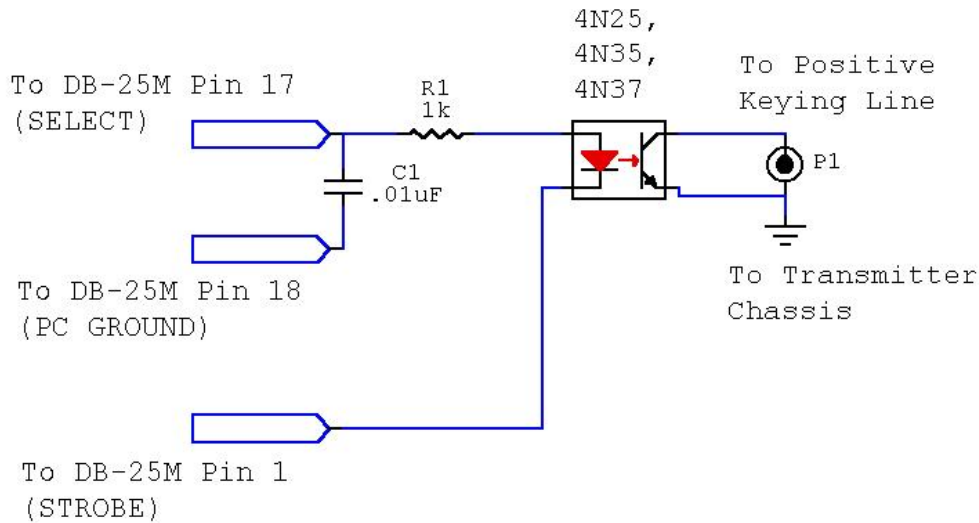


The schematics shown below indicate pin numbers for 6-pin
 DIP IC's available at RadioShack.Com stores
 or DigiKey (mailorder 1-800-DIGI-KEY).
 - AE0Q, Oct 1997 -

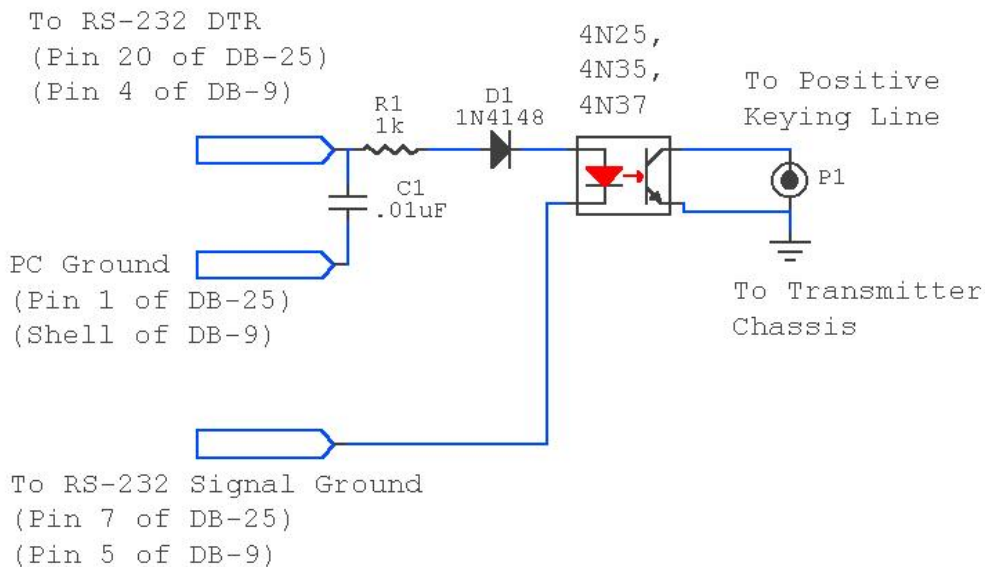
This circuit can be used by TR , CT , LOGic-4 , LOG-EQF and other
 programs to key the transmitter from an LPT (printer) port while
 maintaining electrical isolation between transmitter and computer:



R1 = 1K Ohm, 1/4 Watt
 C1 = 0.01 Microfarad, 50 Volt

Note: Voltage on transmitter keying line should be kept below
 20 volts, and the current should not exceed 100 ma.
 MANY other optocouplers will also work.

This circuit can be used by TR and CT (and other logging programs)
 to key the transmitter from a SERIAL port while maintaining
 electrical isolation between transmitter and computer:



D1 = 1N914 or 1N4148
R1 = 1K Ohm, 1/4 Watt
C1 = 0.01 Microfarad, 50 Volt
DTR = Data Terminal Ready

Note: Voltage on transmitter keying line should be kept below 20 volts, and the current should not exceed 100 ma.
MANY other optocouplers will also work.

Home 
