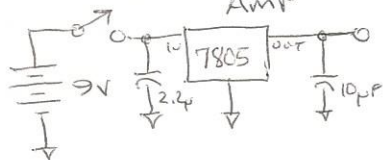
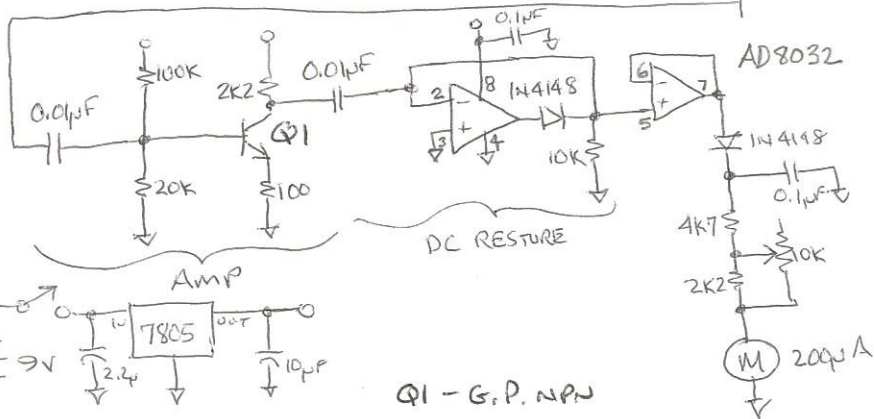
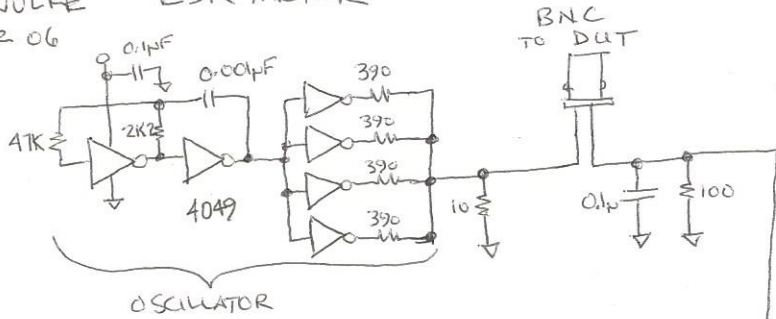


A. WOLKE
MAR 06

ESR METER



Q1 - G.P. NPN
ie 2N2222
2N3904
ETC