

W2AEW

# IQ MODULATOR BASICS

AGENDA

- BLOCK DIAGRAM & OPERATION
- A LOOK AT A FEW MODULATION TYPES
- IMPAIRMENTS & THEIR EFFECTS
- SSB SUPPRESSION TEST

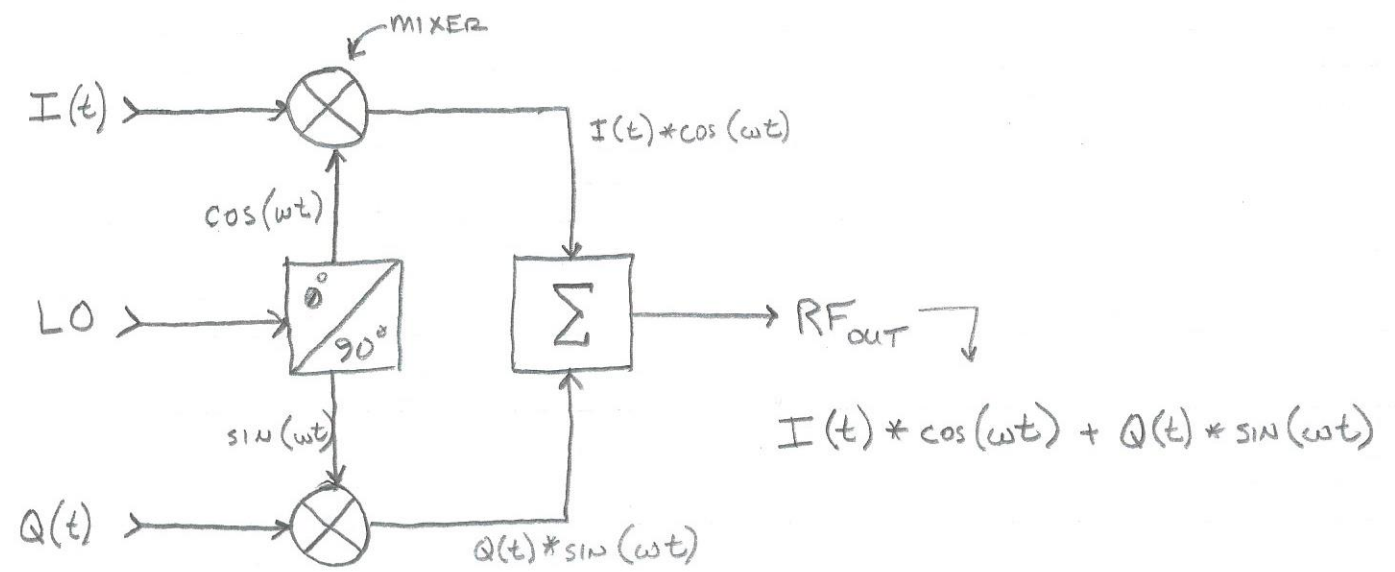
## PRE-REQUISITE VIDEOS:

- #170: BASICS OF IQ SIGNALS, MODULATION & DEMODULATION
- #167: HOW A DIODE RING MIXER WORKS

## EXTRA STUDY:

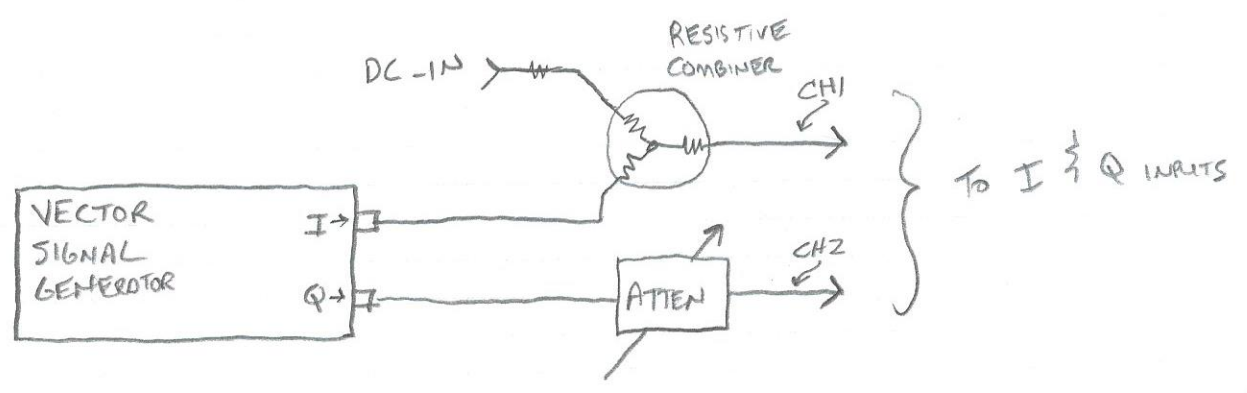
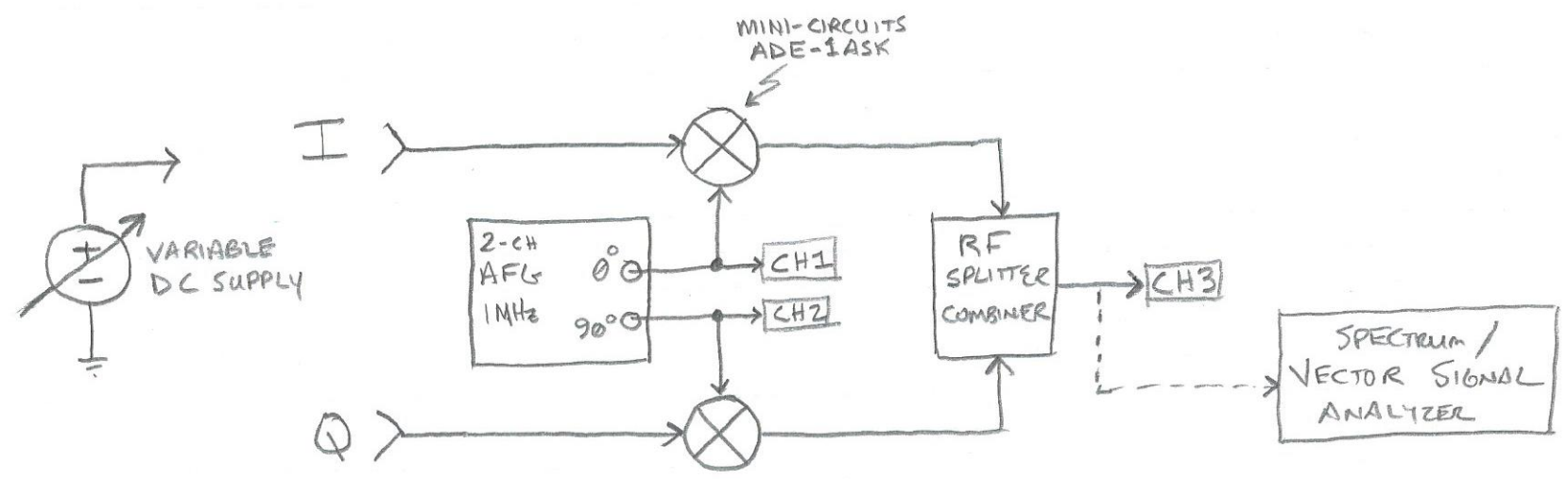
- #171: IQ SIGNALS PART II: AM & FM PHASOR DIAGRAMS
- #83: BASICS OF RF MIXERS
- #260: RF DIODE MIXER LO DRIVE LEVEL

# IQ MODULATOR BLOCK DIAGRAM



WZAEW

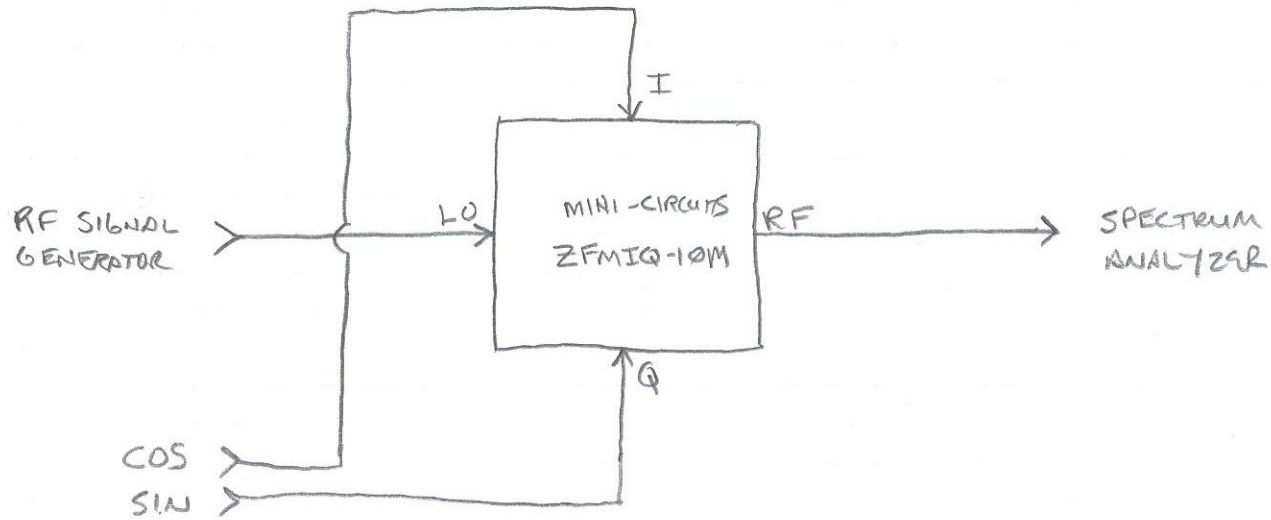
### IQ MODULATOR TEST CIRCUITS 1



W2AEW

④

# IQ MODULATOR SSB SUPPRESSION



SINUSOIDS DRIVEN IN QUADRATURE