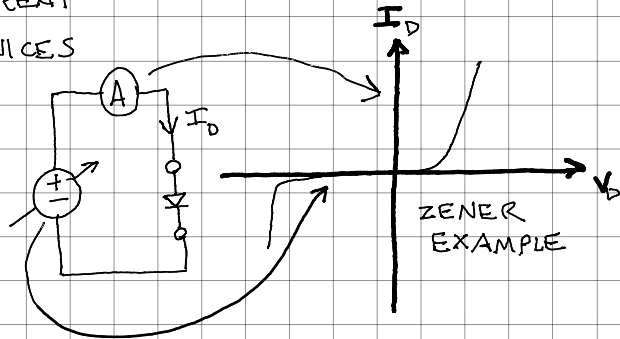


BASICS OF CURVE TRACERS

- PLOT VOLTAGE VS. CURRENT CHARACTERISTICS OF DEVICES

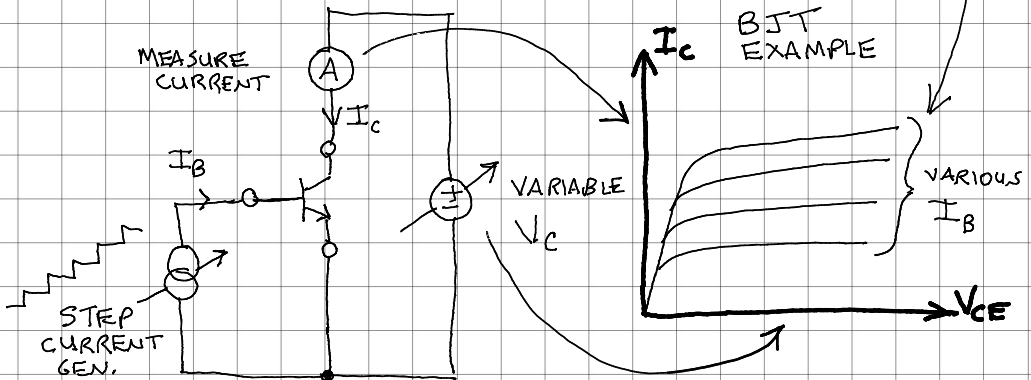
- 2 TERMINAL DEVICES

- DIODES
- ZENER DIODES
- TUNNEL DIODES



- 3 TERMINAL DEVICES

- BIPOLAR TRANSISTORS (STEP BASE CURRENT)
- JFETS / MOSFETS (STEP GATE VOLTAGE)
- TRIACS
- UNIJUNCTION TRANSISTORS



- APPLICATIONS

- DEVICE CHARACTERIZATION
- FAILURE ANALYSIS
- DEVICE MATCHING

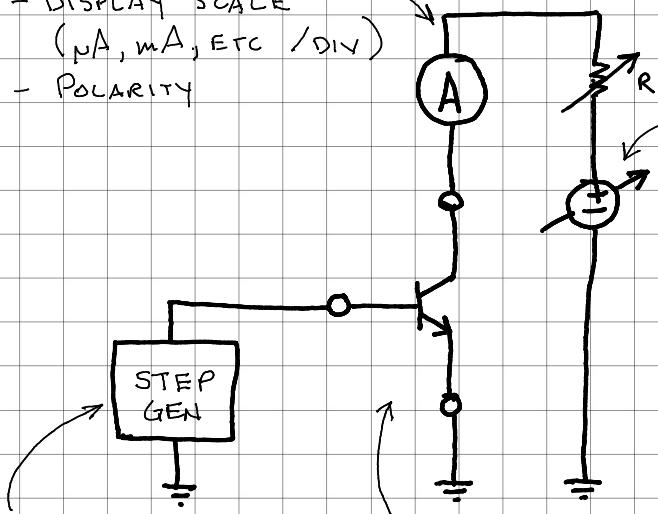
- ALSO

- LEAKAGE
- BREAKDOWN

CURVE TRACER FUNCTIONS AND CONTROLS

CURRENT MEAS.

- DISPLAY SCALE (μA, mA, ETC / DIV)
- POLARITY



SWEEP VOLTAGE

- AC or \pm DC
- AMPLITUDE
- DISPLAY VOLTS / DIV
- SERIES R

STEP GENERATOR

- CURRENT OR VOLTAGE / STEP
- POLARITY
- NUMBER OF STEPS
- OFFSET
- SPEED

DEVICE CONNECTIONS

- GROUND BASE OR EMITTER
- STEP GEN CONNECTION
- OPEN OR SHORT TERMINALS