

BASICS OF SCRS

- BI-STABLE RECTIFIER / SWITCH

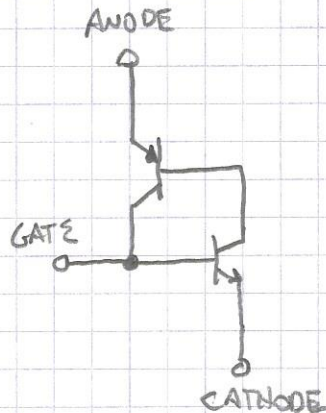
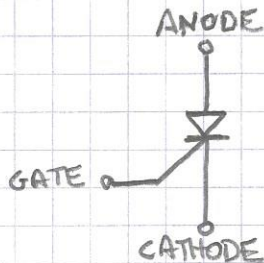
- A - K IS OPEN CIRCUIT UNTIL TRIGGERED

- FORWARD BIASING GATE - CATHODE TURNS ON ANODE - CATHODE

- I_{GT} = GATE THRESHOLD CURRENT

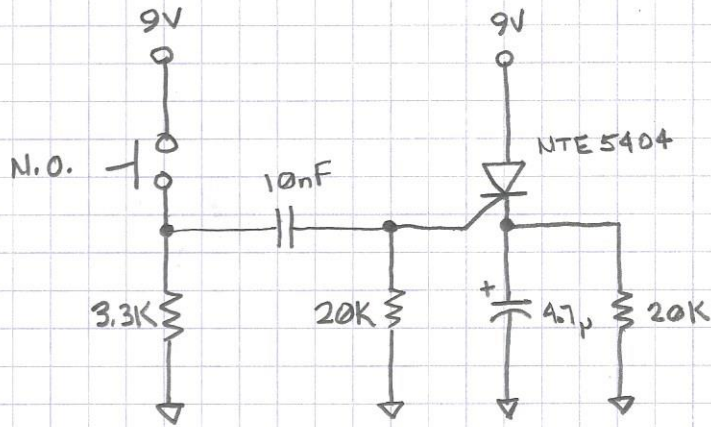
- ONCE ANODE - CATHODE CURRENT > HOLDING CURRENT, STAYS ON (LATCHING CURRENT)

- IF CURRENT < I_H , TURNS OFF



TRIGGERABLE
FAST-RISE, EXPONENTIAL FALL
CIRCUIT

WZAEW



DEMO CIRCUIT

W2AEW

