

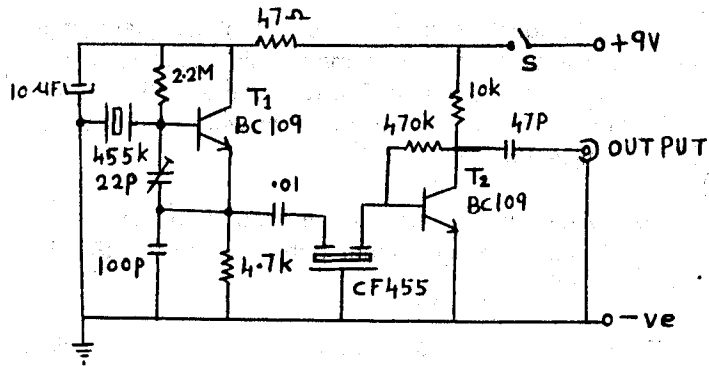
# ROCKBOUND IF OSCILLATOR

By N. S. Harisankar

This Rockbound IF Oscillator can be very helpful when aligning or realigning an AM Superhet receiver.

T1 is used in a simple Rockbound OSC, and it operates in the emitter follower mode. Ceramic filter CF 455 gives good frequency stability, requires no adjustment in order to produce the correct frequency.

The 455 KHz output from Oscillator is considerably amplified by a common emitter stage based on T2. This common emitter amplifier is high gain and low noise type. Use 6F22 (9 V) battery and Philips 22 PF Button Trimmer (Green Colour)



(The Author is N. S. Narishankar, Sankar Nilagam, Ambikapuram Palakkaed 678011 Kerala)