



Quora uses cookies to improve your experience. [Read more](#)



Robotics Hardware Nodemcu Internet of Things (IoT)

# What is NODEMCU?

Answer Follow · 11 Request



Ad by Dlubal Software

## Why Dlubal Software for structural analysis & design?

RFEM is a powerful 3D FEA program helping engineers meet the requirements of modern structural analysis.

Free Trial



5 Answers



Aadesh Kulkarni, An artist at living, my work of art is my life. Updated Mar 24, 2019



ESP8266 is a low-cost, WiFi Module chip that can be configured to connect to the Internet for Internet of Things(IoT) and similar Technology Projects.

Basically, Your normal Electrical and Mechanical equipments cannot connect to the Internet on their own. They don't have the in-built setup to do so.

You can setup ESP8266 with these equipments and do amazing stuff. Controlling, Monitoring, Analysis and much more.

Now, Coming to your question about NodeMCU.

**NodeMCU is a Firmware on ESP8266.** Its basically an SoC (System on Chip)

A System on a Chip or System on Chip(SoC) is an integrated circuit that integrates all components of a computer or other electronic systems.

### How does it look like?

I'm glad you asked.

## Related Questions

[What is the difference between ESP866 and NODEMCU ESP8266?](#)

[Should I buy the Arduino Uno or NodeMCU?](#)

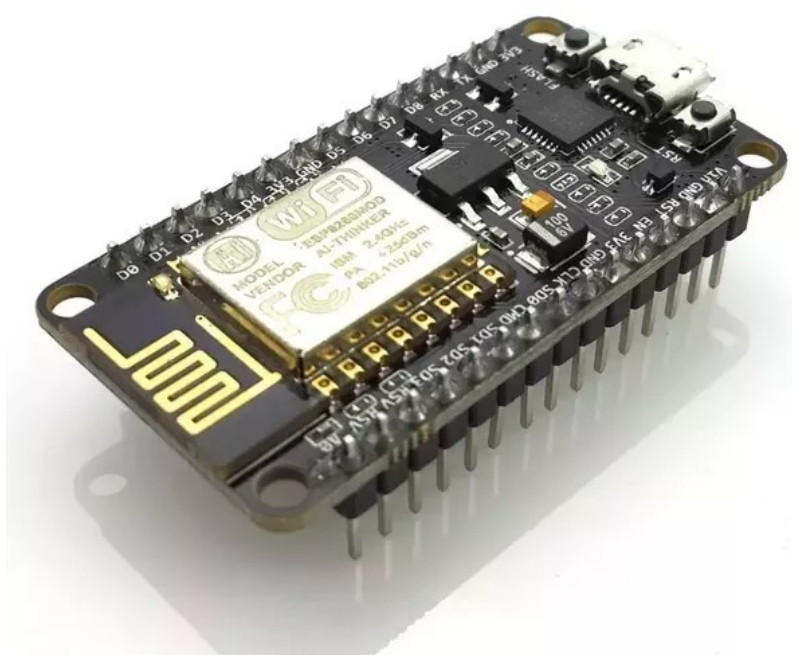
[How does NodeMCU work?](#)

[Is nodemcu a microcontroller?](#)

[What is the Difference between Esp8266 and NodeMCU? Can we use AT commands in NodeMCU](#)

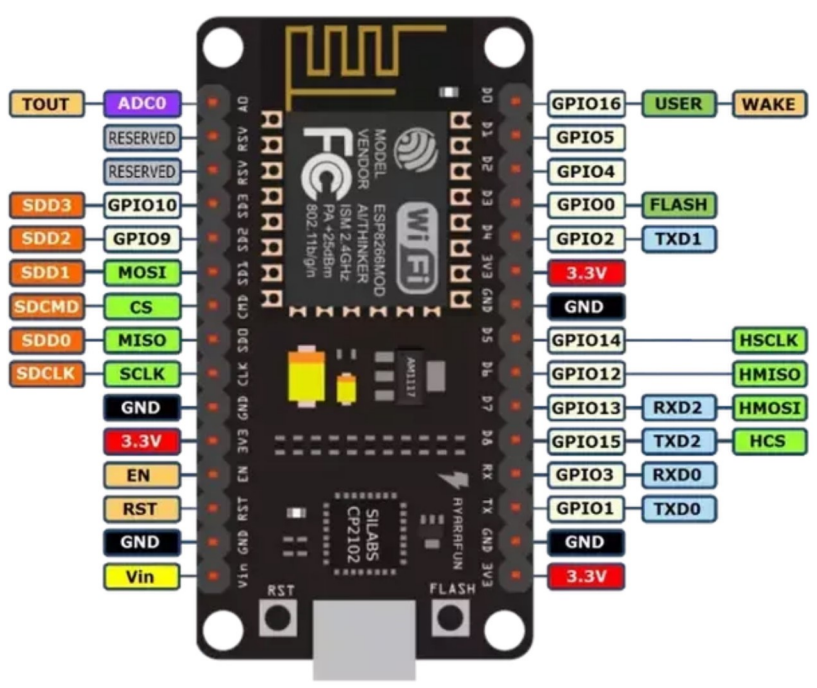
[Does NODEMCU work with wifi?](#)

Ask Question · More Related Questions



Looks Techy-Tech!

Whats the pin Configuration, you ask?



Ok! thats enough of theory, You say! What can i do with it?

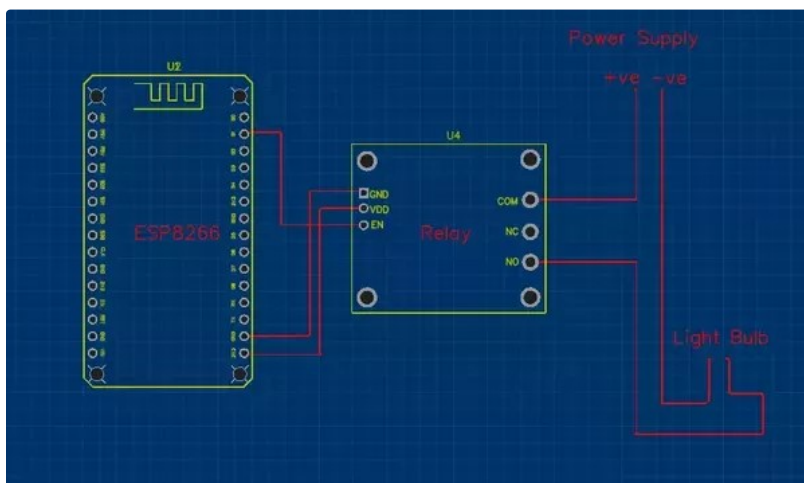
0:00



-0:24

**Okay, Cool! How to do it?**

You can simply connect a Relay to the ESP8266 and configure it like this to light a bulb or switch something on.



28.8k views · View Upvoters · View Sharers

2 more comment from Balaji Ramalingam, and more

Promoted by DuckDuckGo

### What are some simple steps I can take to protect my privacy online?



Gabriel Weinberg, CEO/Founder DuckDuckGo. Co-author Super Thinking, Traction. Answered Feb 2

Many people believe that they [can't do anything to protect their privacy online](#) , but that's not true. There actually are simple steps to dramatically reduce online tracking. Step 1. Download DuckDuckGo on all your devices With just one download you'll get tracker blocking, private searchi... [\(Continue Reading in Feed\)](#)



Nithish Bharadwaj, studied PCME at Sarvodaya Pre University College Tumkur Answered Feb 17, 2018

Node MCU is an embedded IOT platform , the bord is just like an arduino which comes with a (ESP8266) wifi module built-in.

Here we need not to code both the arduino and wifi module separately , it has a wide range of application in the field of IOT

7.1k views · View Upvoters

Upvote · 3 Share

#### Related Spaces (More Answers Below)

**Internet Of Things (IoT)**

This Space talk about IoT  
News - Blogs - New Updates - Please share Io...

Follow 1.6k

[Discover More Spaces >](#)



Arunmozhi Rajavel, Getting ready to surf the next Internet wave - IoT Answered Oct 25, 2016

A very brief explanation

[Arunmozhi Rajavel's answer to What is the Difference between Esp8266 and NodeMCU? Can we use AT commands in NodeMCU](#)

6.4k views · View Upvoters · Answer requested by Juul Hakselaere, Rohan S Kumar, and 1 more

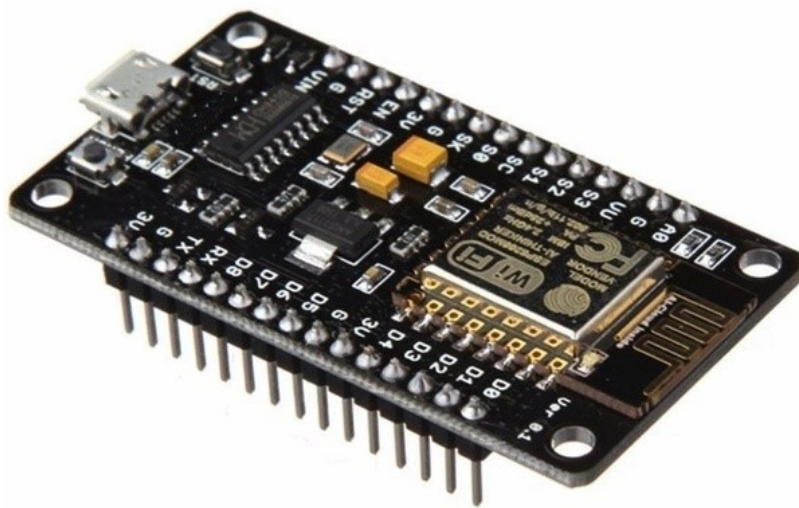
Upvote · 2 Share

Presenting the iQOO 3 with Snapdragon 865 processor & 55W flash charge only for ₹36,990 on Flipkart.

Learn More

Hexcode Plus, Virtual Reality Designer (2019-present) Answered Jul 12, 2019

The NodeMCU board is based on an ESP8266-12 but features a built-in serial over USB interface and other amenities like 2 buttons and 2 LEDs. The board is compact and fits on a breadboard. The board can be programmed using the Wiring / Arduino framework as the other ESP8266 boards.more...



Arduino UNO Vs NodeMCU Arduino UNO Vs NodeMCU Hexcodeplus Technologies

3.6k views

Upvote Share

Add a comment...

Zafrina Zara Answered Jul 29, 2019

NodeMCU is a WI-Fi module. The family specification of NodeMCU is ESP8266. It cost is low. We also conducting inplant training in chennai for all streams of engineering students.

2k views

Upvote Share



Add Question

---

### Related Questions

---

[What is the difference between ESP866 and NODEMCU ESP8266?](#)

[Should I buy the Arduino Uno or NodeMCU?](#)

[How does NodeMCU work?](#)

[Is nodemcu a microcontroller?](#)

[What is the Difference between Esp8266 and NodeMCU? Can we use AT commands in NodeMCU](#)

[Does NODEMCU work with wifi?](#)

[What are some projects I can do as a beginner with NodeMCU in the Internet of Things?](#)

[Why should I buy a NodeMCU if I have an Arduino Uno?](#)

[What are the advantages of the NodeMCU compared to the Arduino UNO?](#)

[Which microcontroller is used in the NodeMCU board?](#)

[Can NodeMCU be connected to a GPS module?](#)

[What is the exact use of a NodeMCU?](#)

[Should I use esp8266 or esp8266 with wifi shield or NodeMcu?](#)

[What is your opinion about ESP8266 NodeMCU?](#)

[What is the lifetime of NodeMCU? Can we make a simple IoT product with NodeMCU?](#)

[How many years will NodeMCU work continuously?](#)

---

### Top Stories from Your Feed