

ACTIVE ANTENNA

The club has created kits for an active antenna, generally as designed by PA0RDT.

The figure 1. below shows the point to point wiring for the printed circuit board provided.

The photograph (figure 2) shows the finished antenna printed circuit board.

For more information on the circuit refer to the Acrobat documents on this web page.

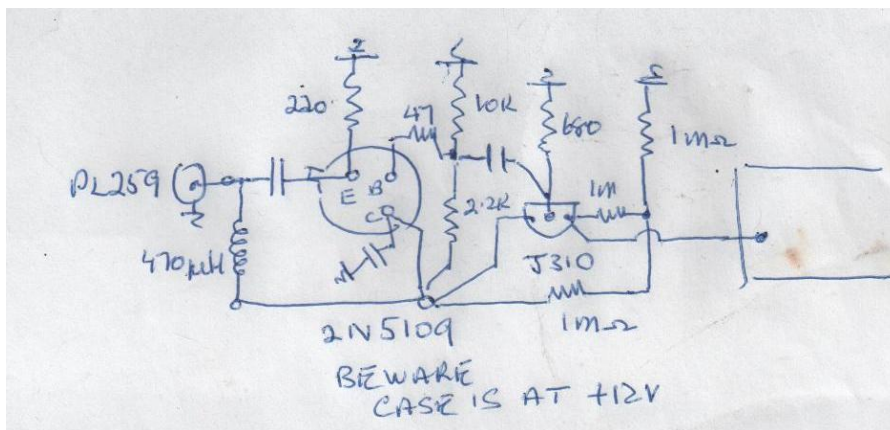


Fig. 1 Component Layout

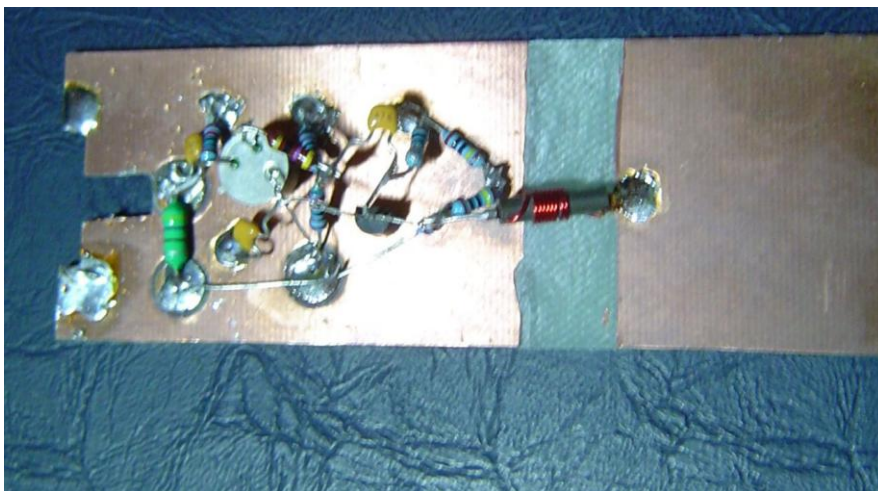


Fig. 2 Component Layout

In addition it will be necessary to provide a DC supply via the coaxial cable. The receiver is isolated from DC using a capacitor, and conversely an RF choke keeps RF off of the power supply line. A Schottky diode guards against incorrect connection of the DC supply.

See diagram 3. below.

