

TRANSMITTER CIRCUIT CODE

SYMBOL	DESCRIPTION	SYMBOL	DESCRIPTION
RESISTORS		INDUCTORS	
R112	470 OHMS.	L11	PA TUNING COIL 2
R101,117.	220 K OHMS.	L12	R.F CHOKE
R102	NOT USED.	SWITCHES	
R103,110, 115.	470 K OHMS.	SWC1-6.	FUNCTION SWITCH
R104.	680 OHMS.	SWE.	4 POSITION XTAL
R105,111.	3.9 K OHMS.	SWD1-2.	3 POS. A-B-NET
R106.	47 K OHMS.	SWF1-2.	7 POS. AER MATCH
R107.	15 K OHMS.	SWG.	PILOT LAMP SWITCH
R108	100 K OHMS.	VALVES	
R109.	150 K OHMS.	V6.	CV-785 MOD. AUDIO
R113.	360 K OHMS.	V7.	CV-807 CRYSTAL
R114.	5.6 K OHMS.	V8,9.	CV-807 IN PARALLEL
R116.	150 OHMS.	METERS	
CAPACITORS		M1.	TUNING INDICATOR & H.T. VOLTAGE CH
C101,105,109,113,129.	0.005 μ F.	PLUGS	
C102,103,108,110,126,127.	0.01 μ F.	PL1	17 POINT CABLE CONN
C104,112,128.	0.001 μ F.	PL3	H.T. BATTERY PLUG
C106.	10-225 PF.	SOCKETS	
C107,116.	33 PF.	SK3	3 POINT KEY SOCKET
C114.	15 PF.	RECTIFIERS	
C115.	22 PF.	MRS,6.	GERMANIUM CV-
C117.	57 PF.	CRYSTALS.	
C118.	82 PF.	XL1	CRYSTAL DE
C119.	150 PF.	XL2.	CRYSTAL DE
C120.	800 PF.	XL3.	CRYSTAL DE
C121.	470 PF.	XL4.	CRYSTAL DE
C122.	300 PF.	LAMPS	
C123.	180 PF.	LP2	PILOT LAMP
C124.	100 PF.		
C125.	68 PF.		
TRANSFORMERS			
TR5	MIC. TRANSFORMER.		

RECEIVER CIRCUIT CODE

SYMBOL	DESCRIPTION	SYMBOL	DESCRIPTION
RESISTORS		INDUCTORS (CONTD.)	
R1,4,10.	470 K OHMS.	L5.	ANODE TUNING 2-4
R2,8,9,20,21.	10 K OHMS.	L6.	OSC. SCREEN COUPLING
R3.	NOT USED.	L7.	OSC. GRID TUNING 2
R5.	100 K OHMS.	L8.	OSC. SCREEN COUPLING
R6.	1500 OHMS.	L9.	OSC. GRID TUNING 4-
R7,14.	2.2 M OHMS.	L10.	HET. OSC. TUNING
R11.	150 K OHMS.	L13.	FILAMENT CHOKE
R12,17,19.	47 K OHMS.	TRANSFORMERS	
R13.	18 K OHMS.	TR1.	1 ST I.F. TRANSFORM
R15,18.	6.8 M OHMS.	TR2.	2 ND I.F. TRANSFORM
RVI	1.0 M OHMS.	TR3.	3 RD I.F. TRANSFORM
		TR4.	OUTPUT TRANSFORM
CAPACITORS		SWITCHES	
C1,8,21.	3-30PF. VARIABLE 2-4.5 MC/S	SWA.	8 POLE, 2WAY BAND
C2,9,20.	3-30PF. VARIABLE 4.5-10 MC/S	SWB.	PILOT LAMP SWITCH
C3.	0.4 μ F.	VALVES	
C4,7,13.	10-225 PF.	V1.	CV-785 R.F. AMP.
C5,11,17,32,33.	100 PF.	V2.	CV-782 CONVERT
C6,10,12,22,26,29,37.	0.1 μ F.	V3.	CV-785 I.F. AMP
C16,40,41.	12 PF.	V4.	CV-785 REFLEX AUDIO A
C18,19,23,24,30,31.	150 PF.	V5.	CV-784 DEMODULATOR HETRODYNE OSC
C14.	0.0018 μ F.	PLUGS	
C15.	900 PF.	PL2.	L.T. BATTERY PLUG
C25,27,35,38.	470 PF.	SOCKETS	
C28.	0.005 μ F.	SK1.	17 POINT CABLE CONN
C34.	220 PF.	SK2.	DUAL 5PT. PHONE/MI
C36.	5 PF.	RECTIFIERS	
C39.	0.01 μ F.	MRI.	GERMANIUM CV-4.
C42.	4.7 PF.	LAMPS	
INDUCTORS		LP1.	PILOT LAMP
L1.	AERIAL TUNING 2-4.5 MC/S		
L2.	AERIAL COUPLING 2-10 MC/S		
L3.	AERIAL TUNING 4.5-10 MC/S		
L4.	ANODE TUNING 4.5-10 MC/S		

ION

10 MC/S

SWITCH
SW.
ING SW.
H.

OSC
OSC.
- P.A

- LT.
CK.

CONNECTOR

ET.

4.8

ION

5 MC/S
2-4.5 MC/S.
-4.5 MC/S.
4.5-10 MC/S.
-10 MC/S.

ER.
ER.
ER.
MER.

SELECTOR
H

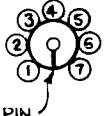
R.

.F.
P.
TOR &

ECTOR.
SOCKET.

8

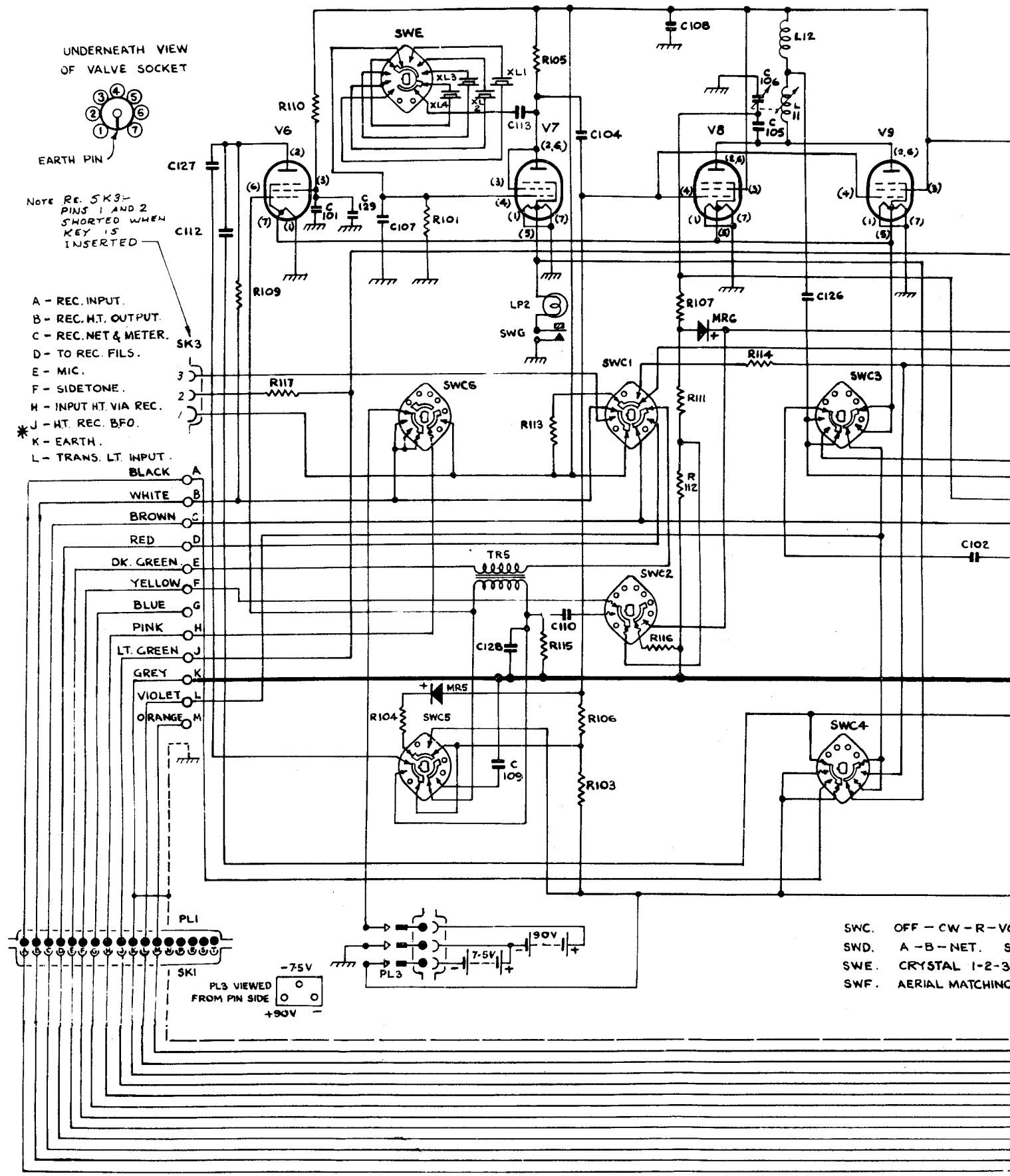
UNDERNEATH VIEW
OF VALVE SOCKET



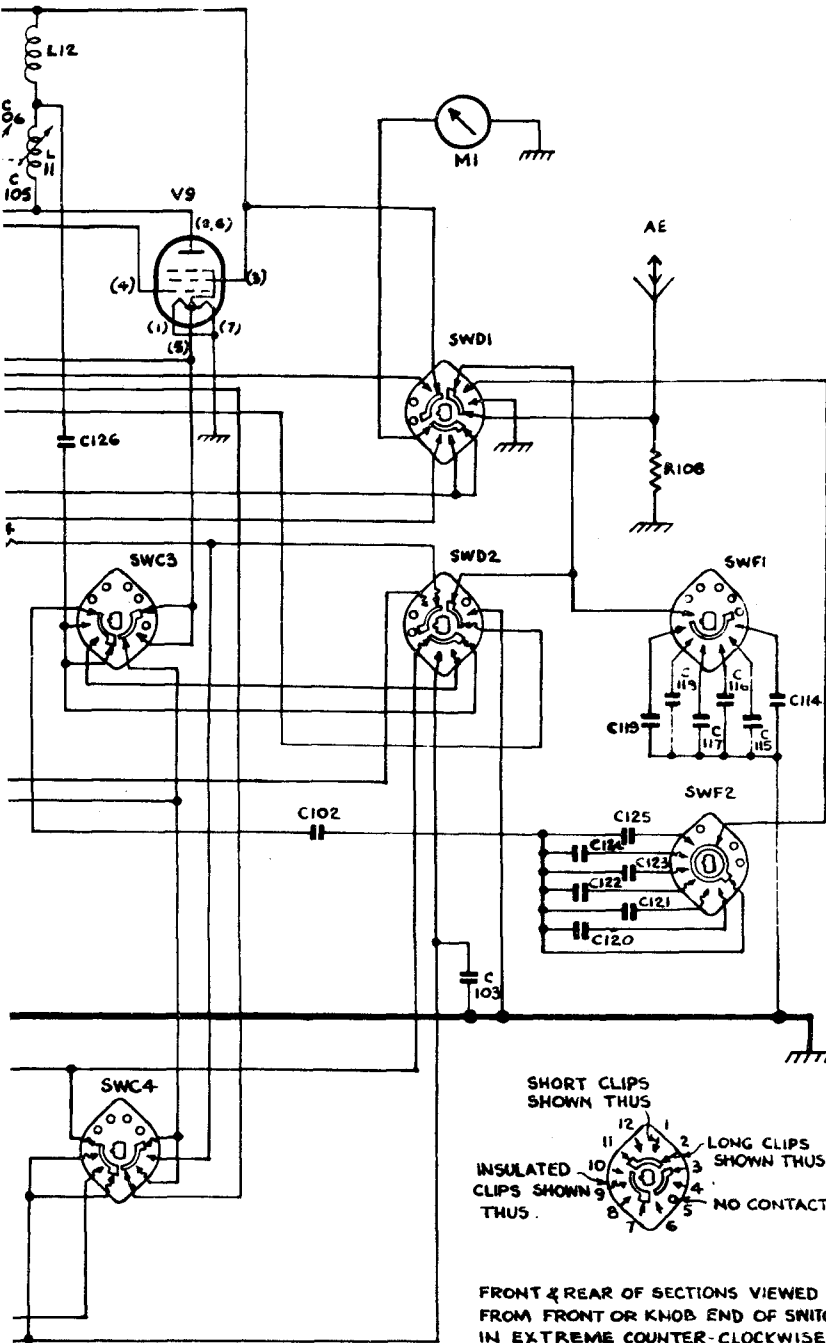
NOTE RE. SK3-
PINS 1 AND 2
SHORTED WHEN
KEY IS
INSERTED

- A - REC. INPUT.
- B - REC. H.T. OUTPUT.
- C - REC. NET & METER.
- D - TO REC. FILS.
- E - MIC.
- F - SIDETONE.
- H - INPUT HT. VIA REC.
- J - HT. REC. BFO.
- K - EARTH.
- L - TRANS. LT. INPUT.

- BLACK A
- WHITE B
- BROWN C
- RED D
- DK. GREEN E
- YELLOW F
- BLUE G
- PINK H
- LT. GREEN J
- GREY K
- VIOLET L
- ORANGE M



- SWC. OFF - CW - R - V
- SWD. A - B - NET. S
- SWE. CRYSTAL 1-2-3
- SWF. AERIAL MATCHING



- A - AERIAL IN (BLACK)
- B - HT IN (WHITE)
- C - LT. OUT (BROWN)
- D - LT. IN (RED)
- E - MIC. (DK. GREEN)
- F - PHONES (YELLOW)
- H - HT. OUT (PINK)
- * J - MET HT IN (LT GREEN)
- L - LT. OUT. (VIOLET)
- K - EARTH (GREY)

* G & M - NO CONNECTION.

- SWC. OFF - CW - R - VOICE. SHOWN IN "VOICE" POSITION.
- SWD. A - B - NET. SHOWN IN "A" POSITION.
- SWE. CRYSTAL 1-2-3-4, SHOWN IN "4" POSITION.
- SWF. AERIAL MATCHING. SHOWN IN "0" POSITION.

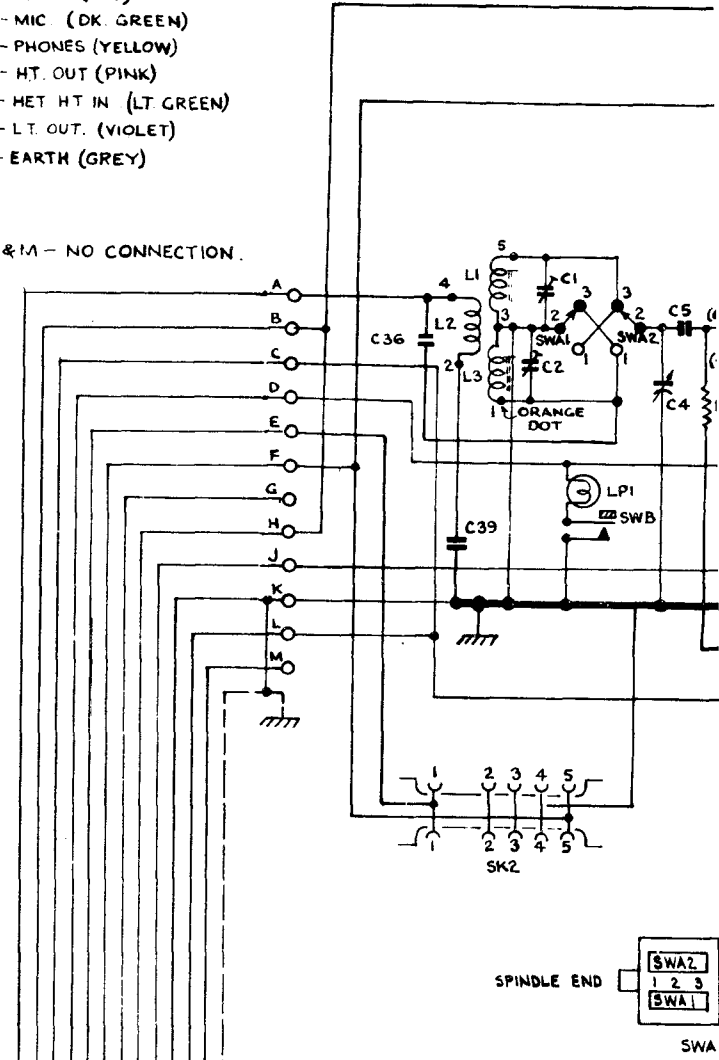
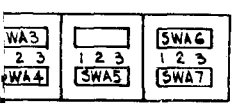
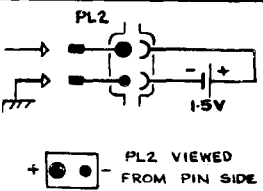
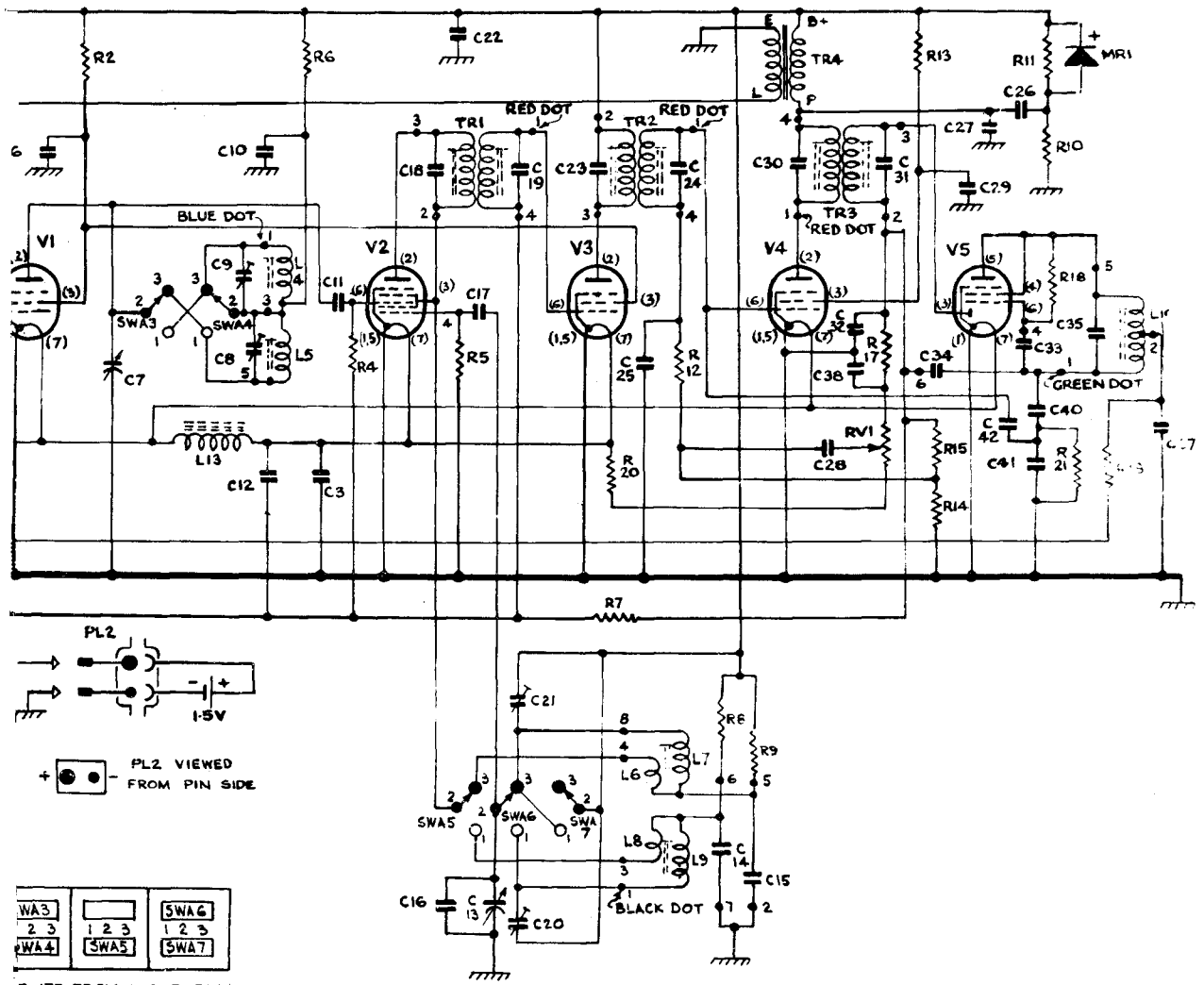


FIG. 1002



VIEWED FROM UNDERNEATH.