

Figure 1: Receiver

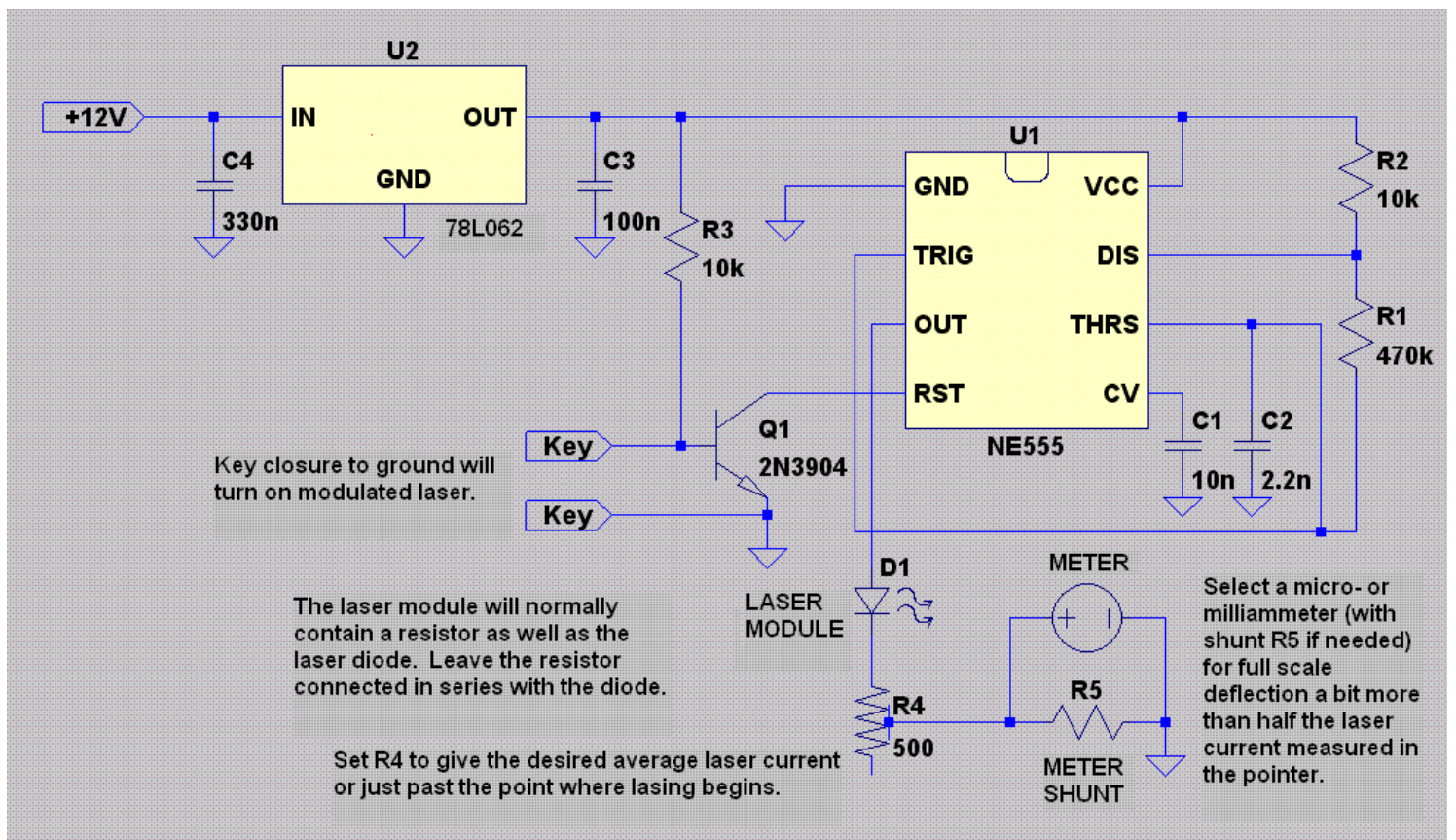


Figure 2: Transmitter