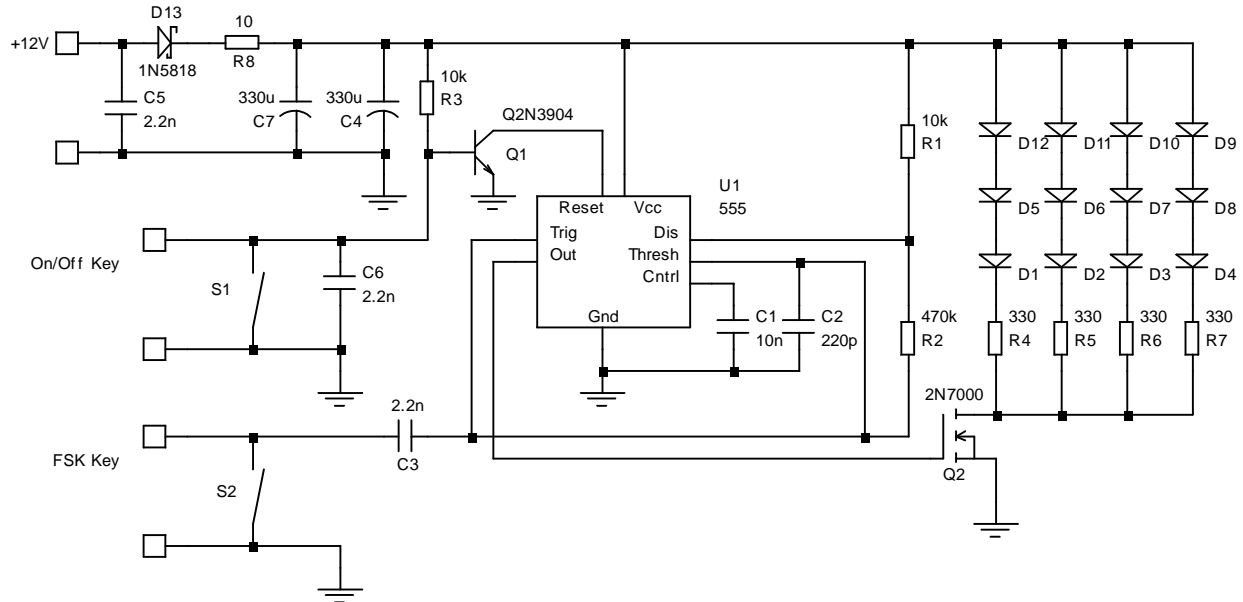


Optical Transmitter Using 12 LEDs

VE3SMA

November 2011



NOTES:

1. FSK Key up condition produces modulation at a few kHz. Key down is close to 500 Hz.
2. D1-D12 are 20 mA rated high intensity (15 degree viewing angle) LEDs

