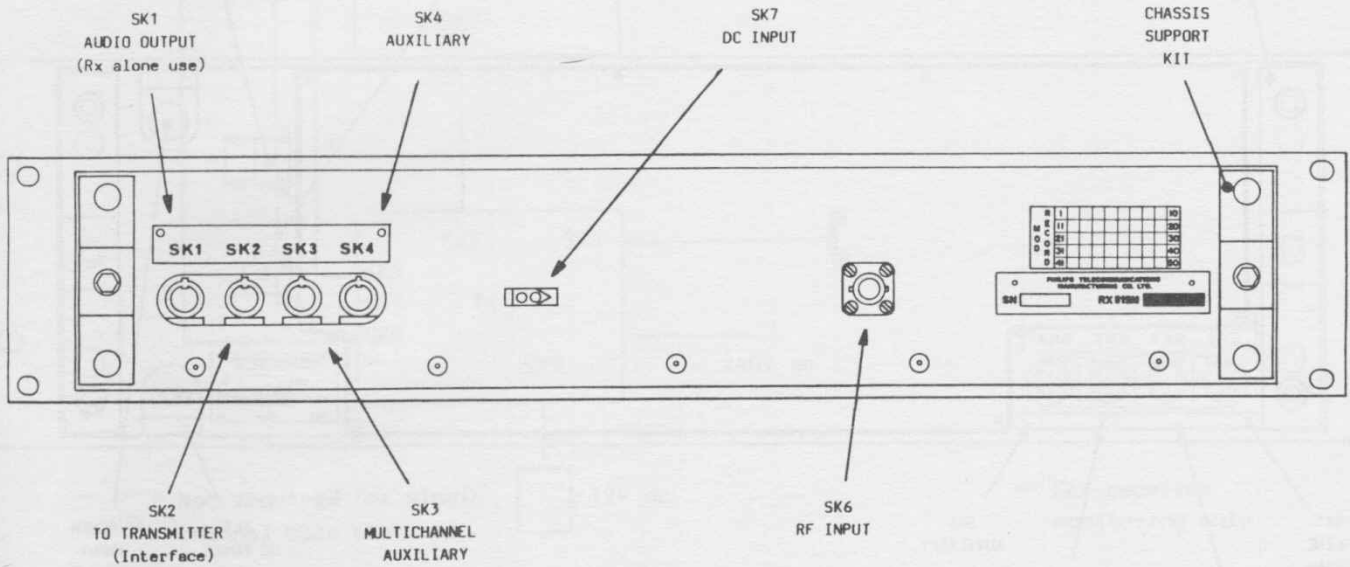


UHF 815

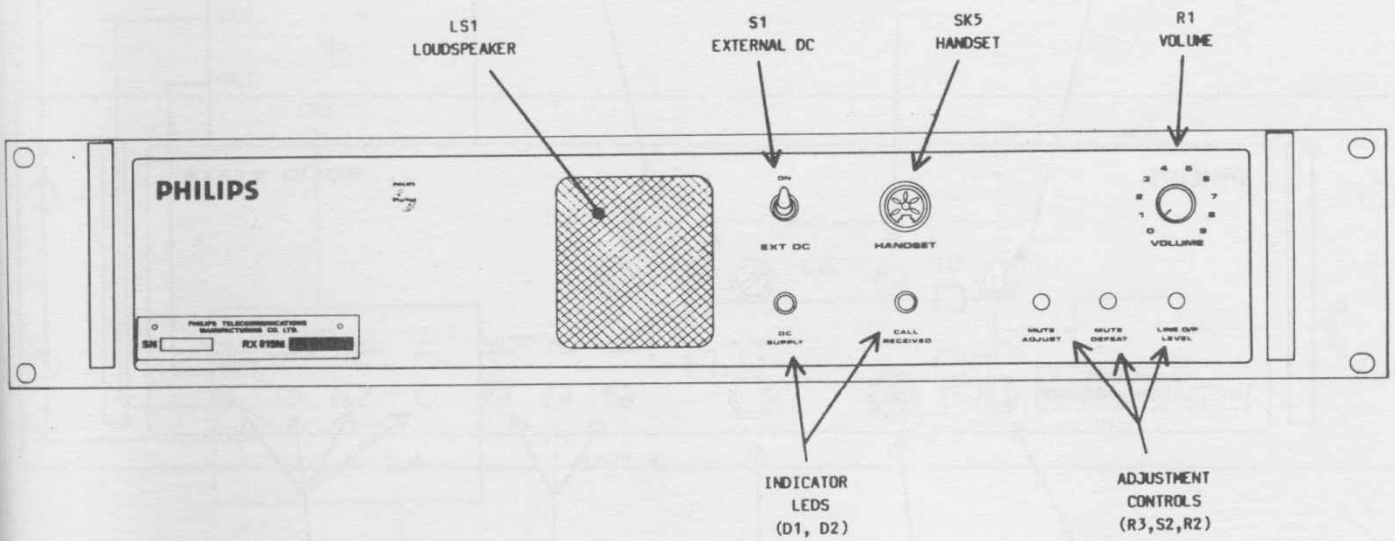
OVERVIEW

VK2THE

SECTION 5 INSTALLATION

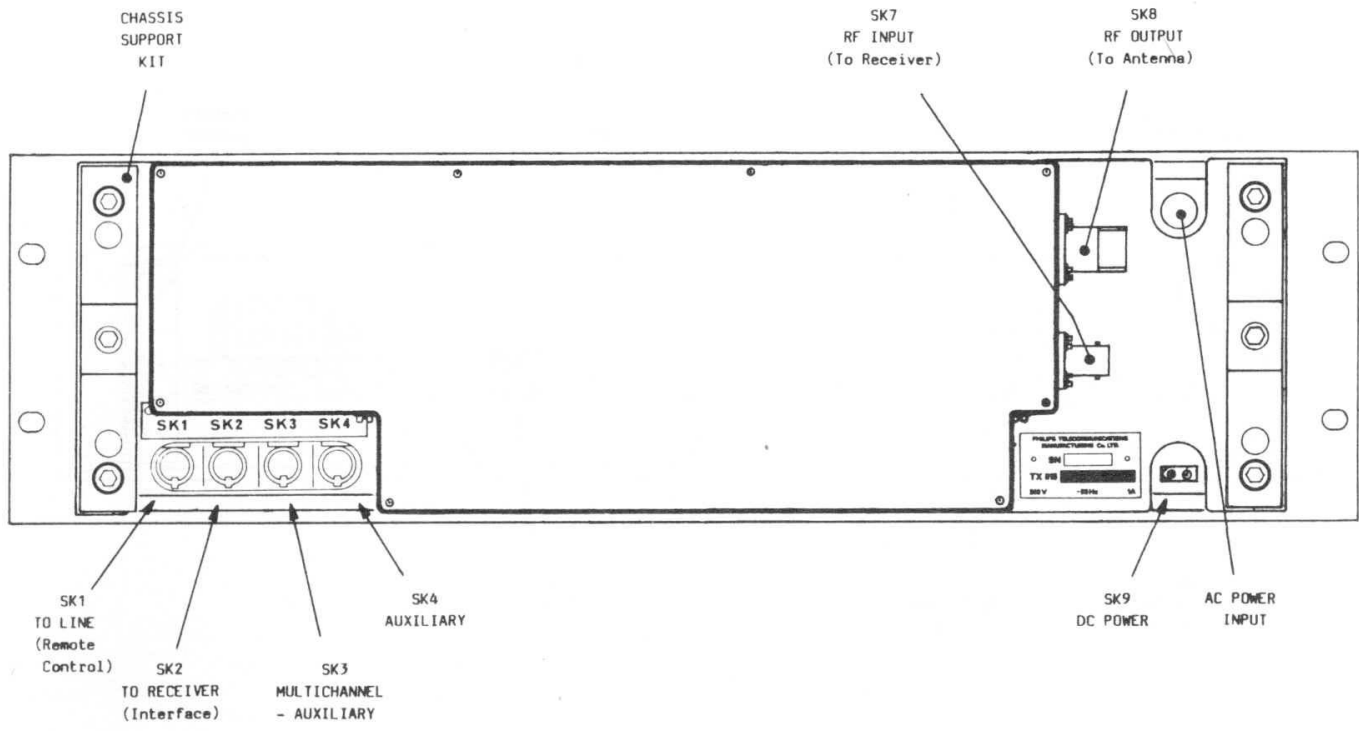


REAR VIEW

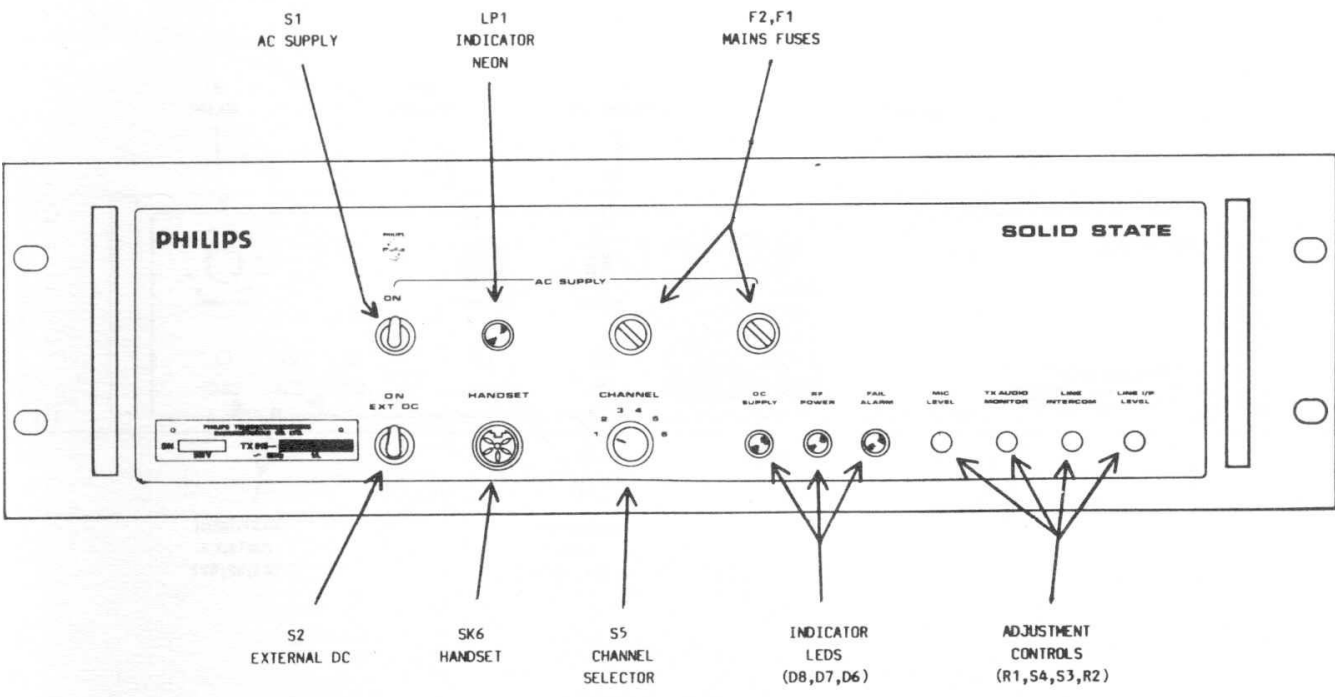


FRONT VIEW

Figure 5.1 FM815 Receiver, Controls, Connectors, Indicators Location Diagram

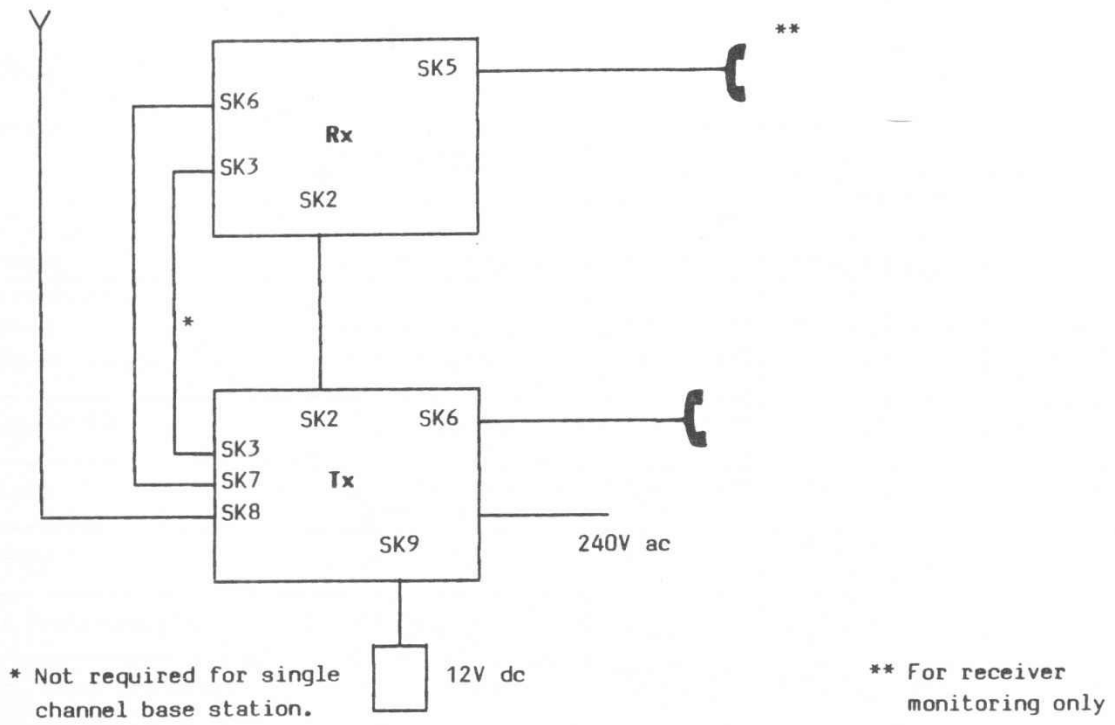


REAR VIEW



FRONT VIEW

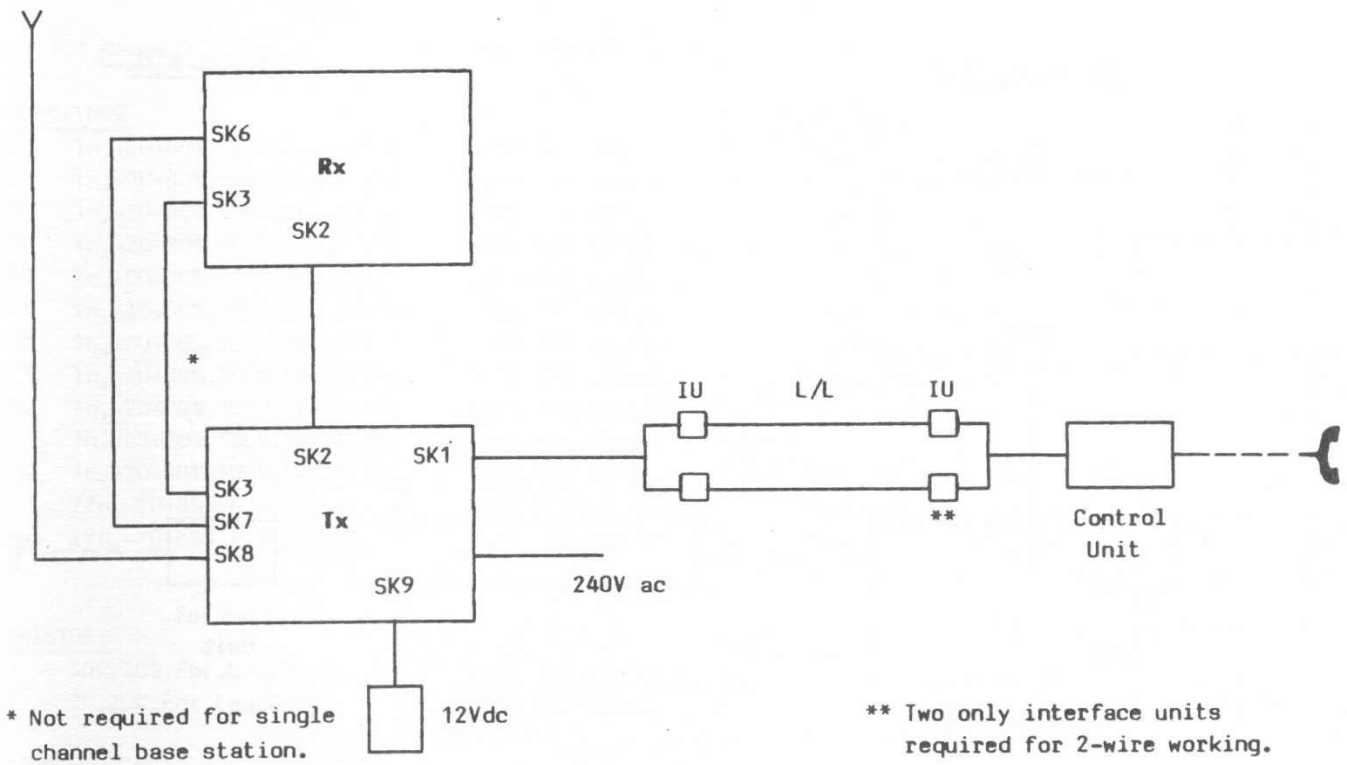
Figure 5.2 FM815 Transmitter, Controls, Connectors, Indicators Location Diagram



LOCAL OPERATION

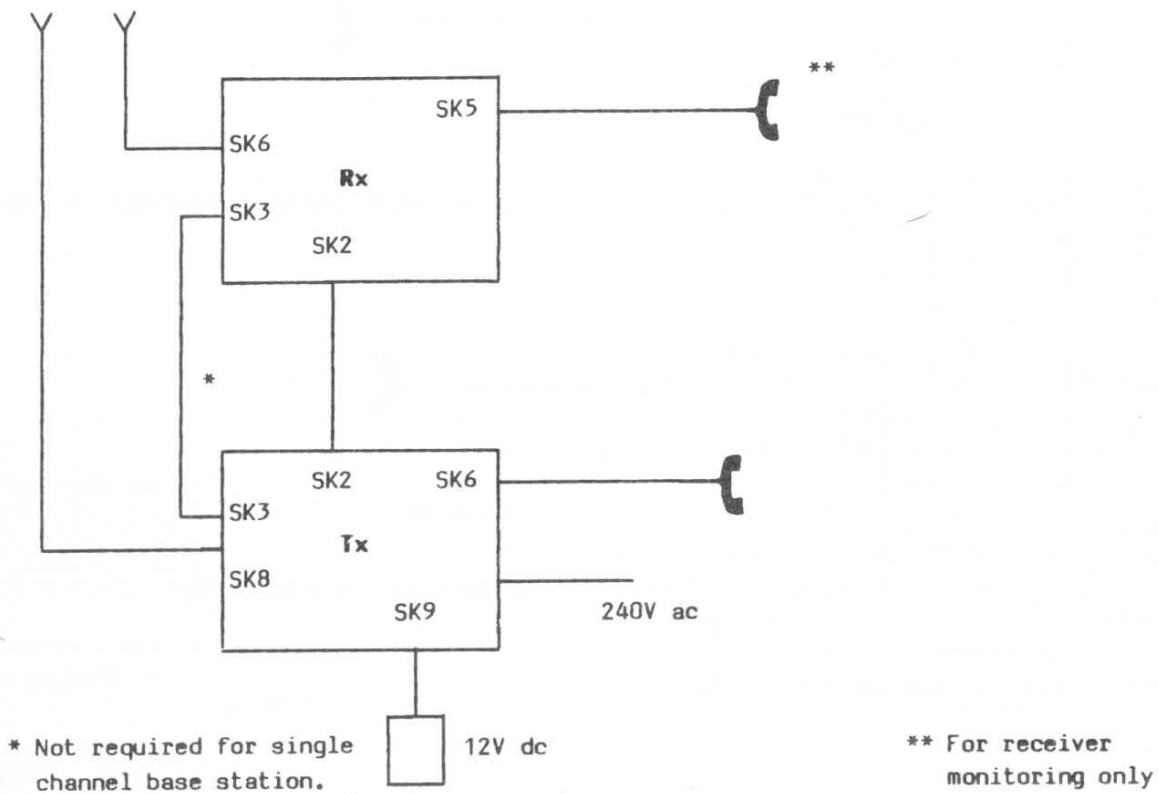
RADIO BASE SITE

CONTROL SITE



REMOTE OPERATION

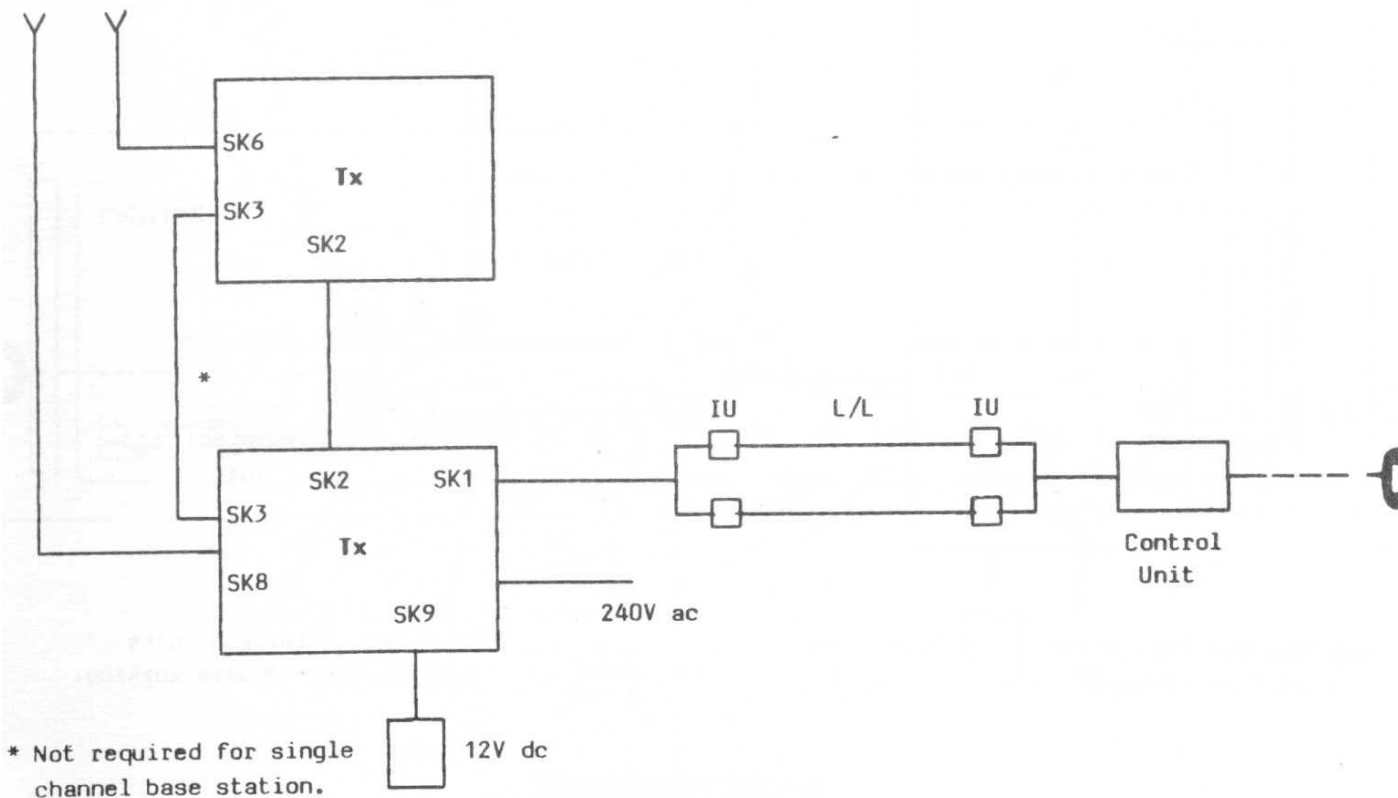
Figure 5.3 Simplex Configuration - Interconnection Diagram



LOCAL OPERATION

RADIO BASE SITE

CONTROL SITE



REMOTE OPERATION

Figure 5.4 Duplex Configuration - Interconnection Diagram