

# 12kHz LIF Converter V2.42

**Please Note:** This document supersedes all previously released documents and drawings on the LIF subject. This is the latest and most up-to-date document at this time. While all previous documents can be used as reference, for the most current technical information refer to this document only.

*Aug.6, 2012.*

## ***Intro***

The LIF2012 is the continued development of the LIF, which is now available as a kit. The LIF is the down-converter hardware that works in conjunction with the MDSR software. The MDSR has been developed as a stand-alone application and a spectrum analyzer has been programmed that works in conjunction with the MDSR engine. The transceiver interface software OmniRig has been implemented to control 48 different makes and models of radios. The MDSR software package is available from our Yahoo user group for free for non-profit amateur radio purposes. This provides a complete transceiver application package for PC desktop computers. The DADP software has been discontinued – the MDSR software replaces the DADP. The up-converter hardware is not yet available as a kit.

Due to the added functionality and the need to meet a wider audience, the concept of fitting the LIF2012 PCB into the filter slot of the YAESU radio has been abandoned for now (in the future when the LIF is available as a SMD board it might be possible to return to that concept). The converter will now be external for the FT-817 and for the FT-897, which has additional space available, internal (as per instructions by Guy Roels). The introduction of OmniRig has opened up the amount of transceivers supported by the MDSR. Any receiver or transceiver with a 455kHz IF will work with the LIF2011 interface, the FT-817, FT-897, IC-703, IC-706, IC-7000 have been tested and confirmed.

**Note:** The LIF2012 kit will only allow for RX. With the “Lock to TXVR” function in the MDSR software, the microphone or the DSP without modulation can be used to broadcast using the transceivers’ internal modulator. Please check the MDSR manual for further details.

## ***What is new for V2.4?***

- The LIF2012 converter is available as a kit (orders can be placed through the MDSR website using a PayPal account) and features better mirror frequency suppression.
- Both outputs of the SA612 are used
- The MDSR software has been updated to allow for a wider range of LO frequencies.
- The MDSR has been updated to set the radio to the most suitable mode for the available LO resonator (“Lock to TXVR”).
- To synchronize the MDSR and the transceiver, fine tuning is done via software. The trimcap C14 is not needed and stays empty.
- Version update V2.42 to reflect updates in BOM and part changes

# 1. Technical Specifications

## Hardware:

Local Oscillator Frequency	462 – 474kHz
Input Frequency	455kHz (+/- 5kHz)
Input Level (max)	1mV – 20mVpp
Conversion Gain (max)	55dB
Output Level for S-9	0.2Vpp
LIF Bandwidth:	+/- 5kHz
LIF Center Frequency:	9 – 18kHz
Supply Voltage Range	9 – 15V

## Software:

USB, LSB Demodulation Bandwidth:	300 – 1800, 2400, 3200Hz
CW Demodulation Bandwidth:	300 – 800Hz

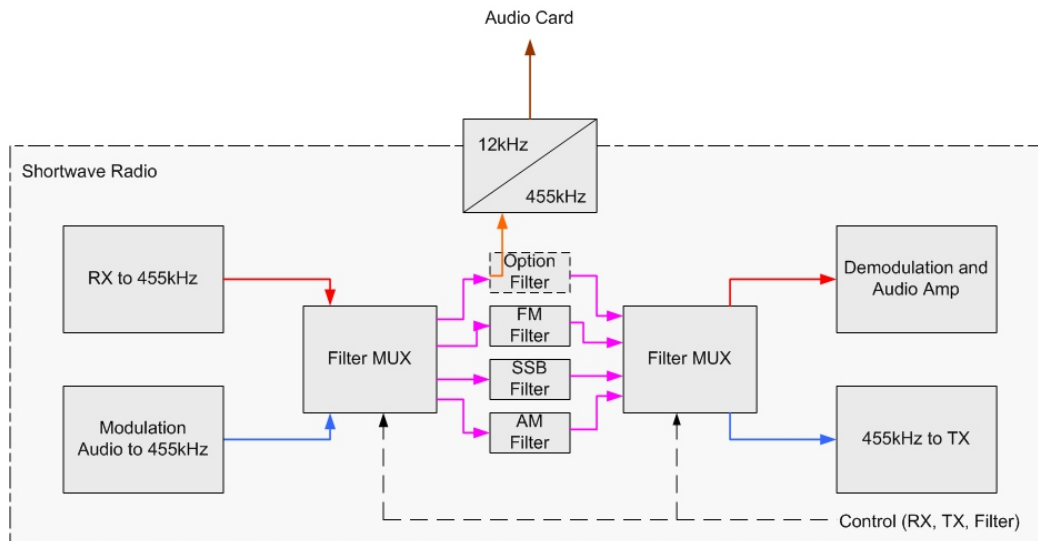
# 2. Creation of 12kHz LIF (Low Intermediate Frequency)

## 2.1 How to extract the 455kHz IF from a radio

The LIF2011 hardware takes the 455kHz IF, which is generated inside the radio before the signal (while in RX) is filtered and demodulated, and converts it down to a 12kHz LIF (Low Intermediate Frequency). All HF transceivers use one ceramic filter to separate the USB spectrum from LSB spectrum and, at the same time, do this for RX as well as TX. This creates one point in the transceivers where a 455kHz unidirectional IF is present. How this IF is routed depends on the state of the transceiver.

Each transceiver is different. The models that have already been tested are posted on the website <http://users.skynet.be/myspace/mdsr/>. There is also a lot of information in the files and photo section on the MDSRadio Yahoo user group.

The signal flow below shows how the LIF board is connected and how it affects the performance of the radio. Everything after the filter section is disabled. This also includes the ACG portion if the 455kHz ceramic filter which bridges the option filter port is not installed.

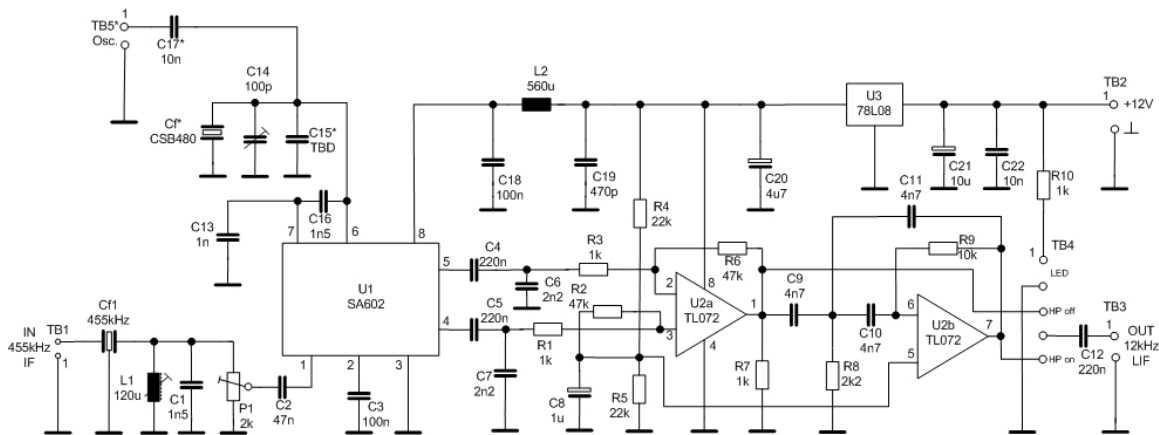


## 2.2 About the Local Oscillator Frequency

The LO frequency and the placement of the DSP filters is very important for the proper functionality of the MDSR software. In order to make it easier to match the filters and the BFO frequency with the available resonators, a wide BFO adjustment has been implemented. This adjustment can now be individualized for each mode. In the “Lock to TXVR” mode, the transceiver and the MDSR mode are synchronized to allow for the optimization of the filter pass with the DSP filters of the MDSR.

## 2.3 Schematics of LIF converter

As a converter, the SA602 Gilbert cell is used. The ceramic crystal filter oscillator provides the LO injection signal between 462kHz to 474kHz (depending on the filter available) and the output is amplified and filtered with a TL072 by 20dB which provides an overall gain of about 35dB. There is a three pole 455kHz filter and a variable tank circuit in front of the mixer to protect the Gilbert cell from cross-modulation. A switchable 8kHz high pass filter linearizes the spectral response for the soundcard and removes the low part of the frequencies coming out of the mixer. This improves the dynamic performance for the demodulation. In the case of DRM or PSK31 signals, the filter has to be bypassed. A 5V regulator stabilizes the voltage and therefore allows for a wider supply voltage. This converter works with any radio using a 455kHz IF system that provides a 1 – 20mV signal for a S-9 meter reading at the optional filter port.



### Note

There is some debate about the SA612 (602) as being very sensitive to over modulation. This is true when it is used as a 1<sup>st</sup> mixer in a radio design. For the LIF converter, it is the 3<sup>rd</sup> mixer, the Gilbert cell's performance and simplicity is ideal.

## 2.4 Building the Kit

In order to successfully assemble the kit, follow the instructions of this manual. As a soldering iron, it is best to use a 24VAC temperature controlled unit, either with a magnetic tip (heat rating 7) or electronically. The tip should be pencil sized.

The soldering eyes are quite fragile and very little force is required to peel them off the board which will cause damage to the PCB. Use a pair of needle nosed pliers to bend the leads of each component to match the holes on the PCB before inserting them.

The bill of material specifies the location of the specific parts and their values. Start by inserting the resistors first and solder them in place before going on to L2. Next, insert the Monolithic capacitors, solder them and then solder the tantalum capacitors (C14 is a 100pF fixed cap), observing their polarity. Place the trim potentiometer (P1) on the board, solder it. Next, solder the strip connector, L1 and the ceramic filters. To shock proof the assembly, use a heat gun to glue the crystal filters on to the PCB. Now all the passive components are on the board.

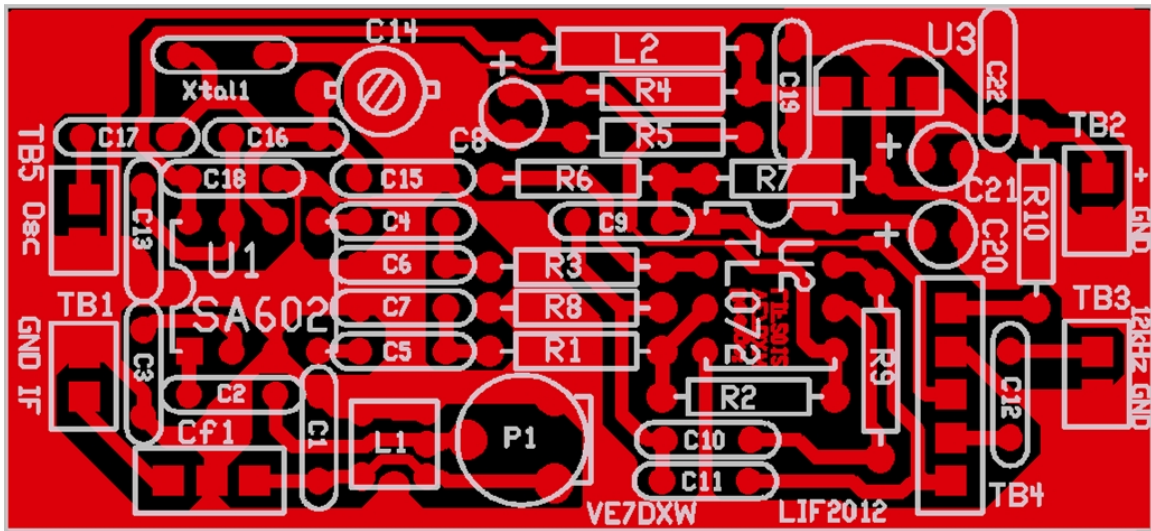
Note: C15, C17 and TB5 stay empty.

### **Functional testing procedure**

This procedure ensures the safest way to confirm the function of the PCB and minimizes the potential destruction of any of the parts.

- Solder U3, the voltage regulator, onto the PCB. Make sure the front (flat side) faces towards C21
- Apply 12V to TB2, carefully observing the polarity. Now, measure the voltage at L2. If it reads 8V the regulator is working correctly. Note: If your kit has a 78L05 replace it with a 78L08. All kits shipped after Sep.15. 2012 will have a 78L08.
- Solder U1 and U2 onto the PCB. Apply 12V to TB2 and measure with the oscilloscope on U1 – pin6. There should be a sine wave present with amplitude of approx. 1.2 - 2Vpp. Ignore the DC bias voltage. **Note:** If a NE602 is used the amplitude measured will only be 0.2Vpp.
- Insert the SIL jumper onto TB4 bridging pin 3 and 4 (counted from the top). Connect the scope to TB3, noting the polarity. There has to be an AF (around 12kHz) noise floor. Turn P1 to the most sensitive setting and the noise floor will go up. Apply a 1mV – 20mV 455kHz sine wave or the IF output of the receiver to the input and now there should be a ~12kHz signal representing the input signal in phase and amplitude. Place the SIL jumper to bridge pin 4 and 5 and a signal with a filter slope starting at 8kHz and dropping to 0 at about 2.5kHz will be present. Note: If a scope is not available, this test can be performed by plugging the LIF2012 into the soundcard. The MDSR and the MDSR-SA software have to be installed on the computer. For instructions, please refer to the latest MDSR software posted on the Yahoo MDSR group under the “files” section; the MDSR software can also be downloaded there. (Membership is needed to access this file. There is no cost to sign up.)

### PCB Assembly Drawing



#### **Note**

Please refer to the assembly drawing above for additional information and the polarization of the tantalum capacitors.

## Bill of Material

BILL OF MATERIALS LIF2012.PCB 10/06/12						
Value	Markings	Qty.	Location			Description
CSB480		1	Xtal1			Ceramic Resonator
100n	104	1	C18			Monolithic Capacitor
100p	101	1	C14			Monolithic Capacitor
470pF	471	1	C19			Monolithic Capacitor
1nF	102	1	C13			Monolithic Capacitor
1n5	152	2	C1	C16		Monolithic Capacitor
2n2	222	2	C6	C7		Monolithic Capacitor
4n7	472	3	C9	C10	C11	Monolithic Capacitor
10n	103	2	C3	C22		Monolithic Capacitor
47n	473	1	C2			Monolithic Capacitor
220nF	224	3	C4	C5	C12	Monolithic Capacitor
1uF		1	C8			Tantalum Capacitor
4u7		1	C20			Tantalum Capacitor
10uF		1	C21			Tantalum Capacitor
455kHz	U455Y	1	Cf1			Ceramic Filter
560uH		1	L2			Inductor
120uH	1012	1	L1			Variable Inductor
1k		4	R1	R3	R7 R10	Resistor 0.25W
2k		1	P1			Trimmer
2k2		1	R8			Resistor 0.25W
10k		1	R9			Resistor 0.25W
22k		2	R4	R5		Resistor 0.25W
47k		2	R2	R6		Resistor 0.25W
78L08		1	U3			Voltage Regulator
SA612		1	U1			Gilbert Cell Mixer Osc.
TL072		1	U2			Dual Op Amp, Low Noise

Note: TB5, C17 and C15 stay empty and are not supplied

## 2.5 Adjusting the LIF2012

There are only two adjustments that the LIF unit requires: the conversion gain and the flatness of the filter response.

For this adjustment procedure, the MDSR and the MDSR-SA software need to be installed on the computer. Again, for instructions please refer to the [Manual MDSR-J\\_r1.pdf](#) posted on the Yahoo MDSR group under the "files" section.

### Setting the gain of the LIF converter

The 0dB point of the audio card is 0.7Vpp. Otherwise AM and SSB signals may be clipped. To adjust the gain, connect an oscilloscope or an AF audio meter to the output of the converter. Disable the RX RF amp of the radio. Set the demodulation to AM, which does not use the option filter. Tune the receiver to a stable AM station and reduce the incoming

RF until the S-meter on the radio reads S9. Now set the transceiver to USB mode, utilizing the option filter (the signal strength meter on the radio will be working but might not be accurate). Adjust R1 until the maximum output does not exceed 0.2Vpp (150mV RMS). Strong local AM signals above S9+6dB will be clipped by the audio card. When this happens, the gain control of the radio has to be turned down to keep the S-meter below or at S9. Short bursts of SSB signals above S9 will not cause noticeable distortion.

#### **Setting Filter response flatness**

Turn the variable coil L1 to archive the flattest response curve in the MDSR-SA. This will not give a total flat curve and is dependent on the receiver's characteristics.

**Note:** Do not use a ferric screw driver and be careful not to break the ferrite core of the coil.

### **3. Conclusion**

This completes the assembly and the test of the LIF2012. We hope this unit will provide a new enjoyable experience while listening to your radio through the LIF – MDSR computer interface.

It is advisable to build the PCB into an aluminum box as shown in the Yahoo user group. This is an "off the shelf" box made by Hammond. It is not necessary, but will provide better isolation from TX radiation created by the radio.

Any issues and/or questions should be directed to the MDSRadio Yahoo group.

Thank you,

The MDSR and LIF development team.