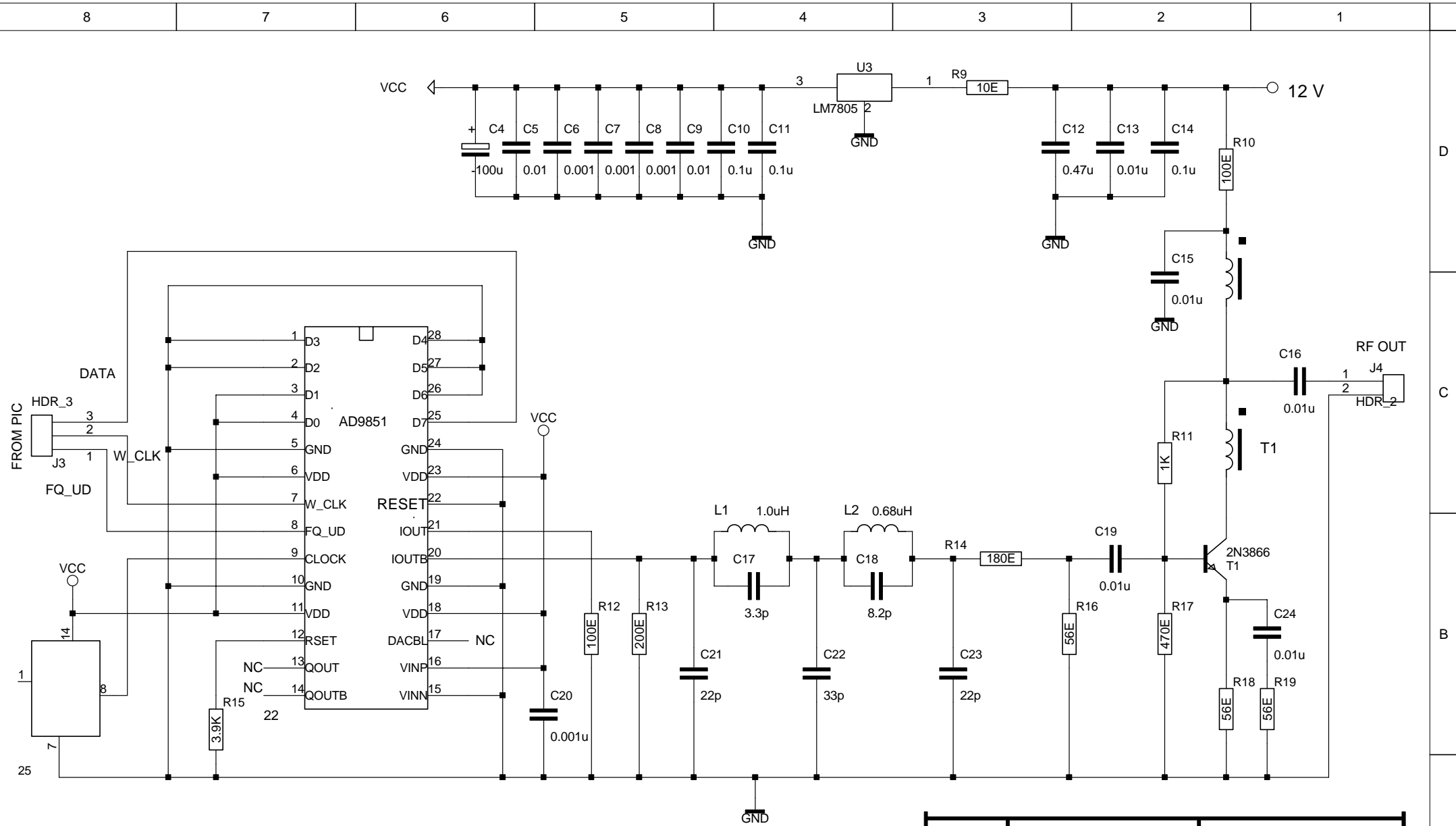


| | | |
|--------------------------------|------------------|---------------|
| REV: 1.03 | DATE: 06/04/2005 | ENG: VU3CNS |
| PROJECT: DDS VFO - B | | |
| COMPANY: HAMRADIOINDIA | | |
| ADDRESS: WWW.HAMRADIOINDIA.ORG | | |
| CITY: CALCUT | | |
| COUNTRY: INDIA | | |
| INITIAL | 28/08/2004 | PAGE: 1 OF: 2 |



T1 - 8 BIFILAR TURNS 32 SWG ON FT37 - 45

| | | |
|--------------------------------|----------------------|---------------|
| REV: 1.02 | DATE: 03 - 05 - 2006 | ENG: VU3CNS |
| PROJECT: DDS VFO | | |
| COMPANY: HAMRADIOINDIA | | |
| ADDRESS: WWW.HAMRADIOINDIA.ORG | | |
| CITY: CALICUT | | |
| COUNTRY: INDIA | | |
| INITIAL | 06 - 09 - 2004 | PAGE: 2 OF: 2 |