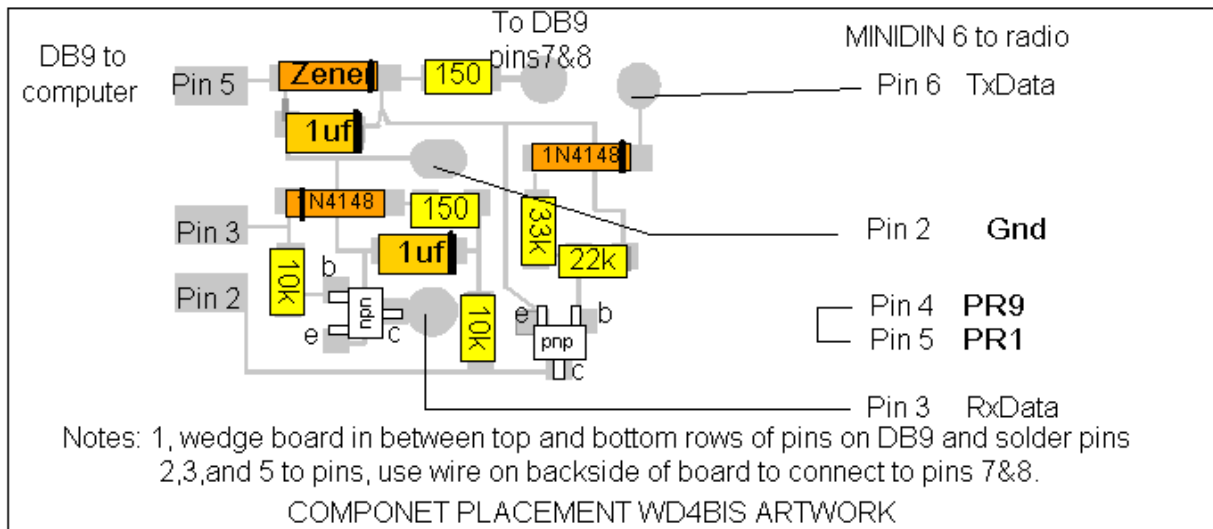
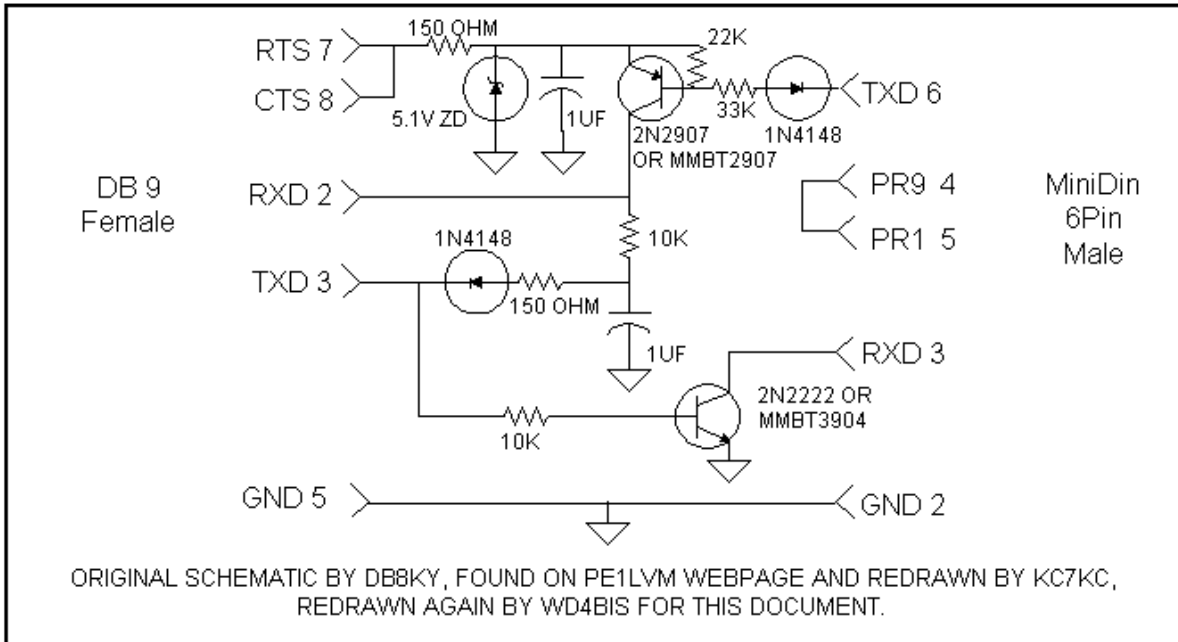


Note: The original artwork from EB4EQA did not work for me as the emmitter and base leads were reversed from the surface mount componets I could get. If the transistors were mounted upside down it worked. This problem as been fixed in my artwork.



Depending on how you print the PWB's you may need to reverse the artwork, both are provided.



REV: KH7O Rick Ching found several mistakes that were corrected Dec /4/02.

Drawn By: <b>Gerald Crenshaw WD4BIS</b>	Date: <b>Sept 15 2002</b>	Title: <b>PG-4S Programing Cable for Kenwood VM-7A</b>
Engineer: <b>Gerald Crenshaw WD4BIS</b>	Date: <b>Sept 15 2002</b>	
Checked By: <b>Janet Crenshaw WB9ZPH</b>	Date: <b>Sept 15 2002</b>	

[Home](#)