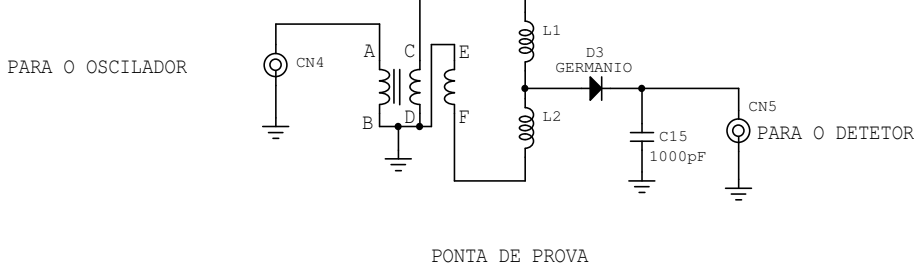


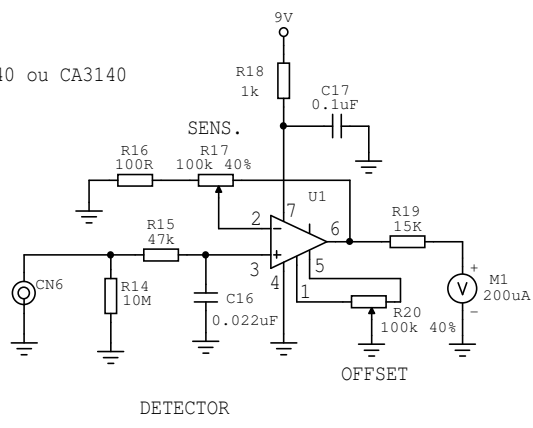
T2= 10 ESPIRAS TRIFILARES FIO 30AWG
NUCLEO BINOCULAR DE FERRITE

L1, L2= 3 ESPIRAS DE FIO 18AWG
DIAMETRO 12MM



U1= LM3140 ou CA3140

PARA PONTA DE PROVA



GJO- Gate Jump Oscillator

Drwn & Mods by PY2MG Gomes
Original by N1AL Alan Bloom
Original LA8AK (Silent Key)

Rev	ID
0	
Date: 23 JULHO 2007 Page: 1 of 1	