

UNIDEN 2020 MODIFICATIONS

VOX

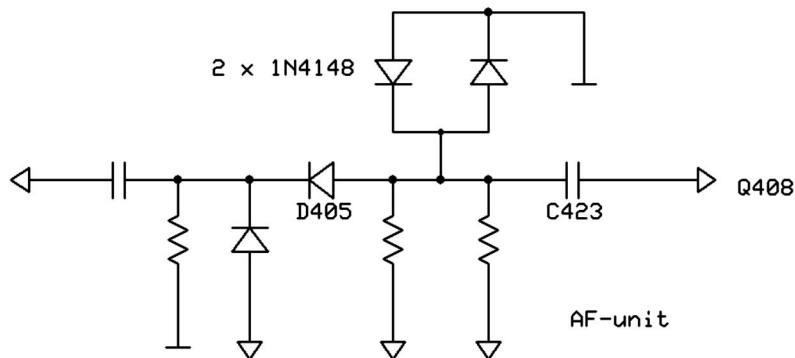
To reduce keying delay on cw:

In AF unit (PC-079) change R406 to 33k or replace it with a 50k trimmer.

SIDETONE

To reduce clicks when sidetone oscillator starts:

Add two reversed diodes from the point between D405 and C423 to ground.



CW

To reduce leakage between marks:

In RECTIFIER UNIT (PC-061) change R605 to 22k, R603 to 2.2k and C602 to 407 nF.

DC-SUPPLY

To eliminate interference from DC-DC converter:

Add a 100nF capacitor from +12V to chassis at power connector.

SELF OSCILLATION AT 10 AND 15 m (early manufacture)

Add a 10nF 500V ceramic capacitor from the screen grid of driver tube 12BY7A to ground.

RAW CW TONE AT SHORT DISTANCES

Add a 10nF 1.4kV ceramic capacitor from + terminal of electrolytic cap C11 to ground. Do the same with C12 and C13.