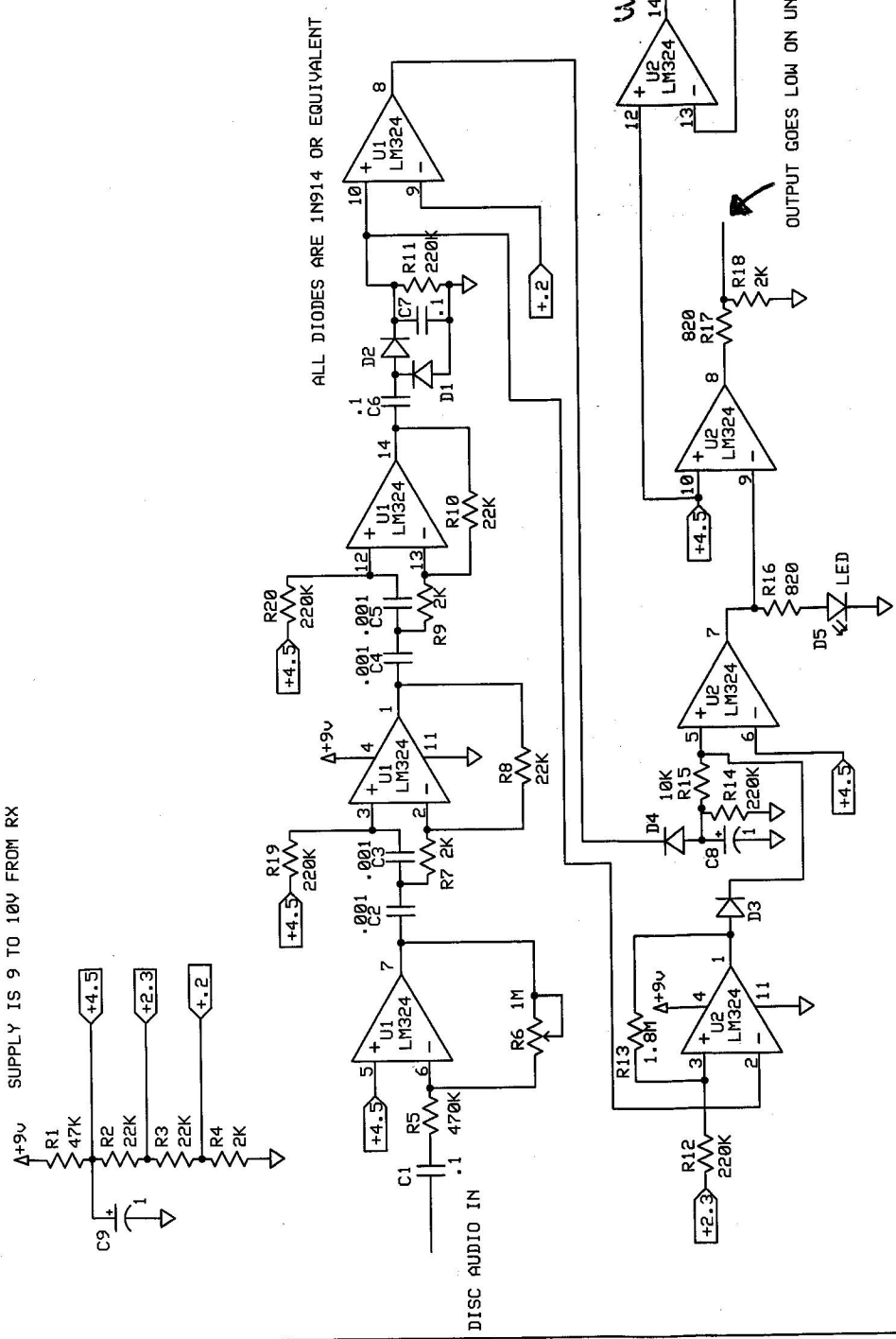


SUPPLY IS 9 TO 10V FROM RX



K7JEM	
DUAL LEVEL SQUELCH	
JOE MONTIERTH	Rev 1.0 9/7/2007
Page # 1 of 1	