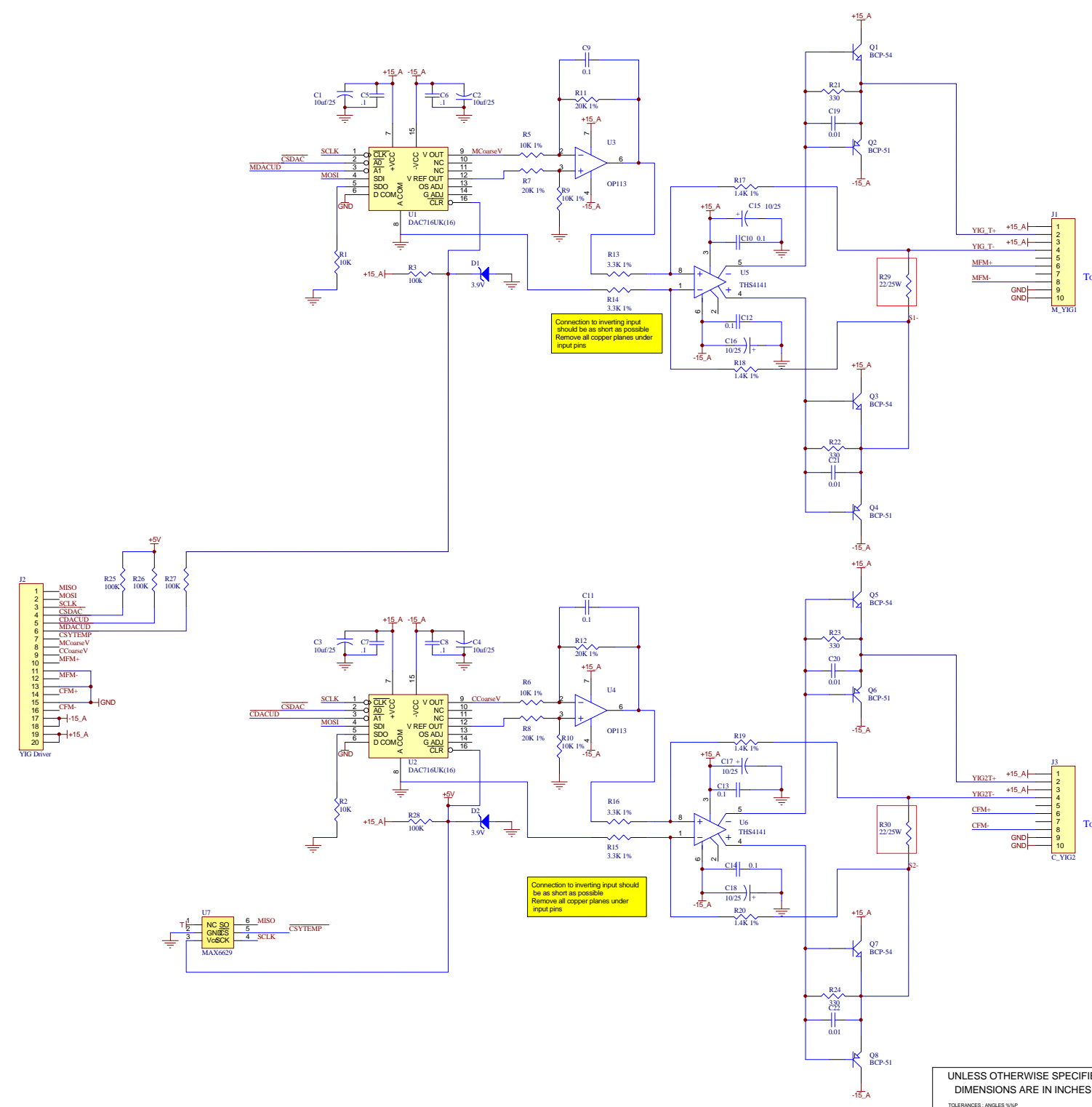


REV	DATE	DRAWN BY	APPR'D BY	DESCRIPTION
P3.0				

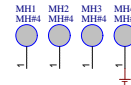


Connection to inverting input should be as short as possible. Remove all copper planes under input pins

Connection to inverting input should be as short as possible. Remove all copper planes under input pins

To Main Loop YIG

To Control Loop YIG



PROTEL : C23245Q0007RevP3_0.Sch

NEXT ASSEMBLY	DWG. TYPE

UNLESS OTHERWISE SPECIFIED
DIMENSIONS ARE IN INCHES
TOLERANCES : ANGLES 1/4°
4 PLACE DECIMALS (XXXX) 1/16"
3 PLACE DECIMALS (XXX) 1/32"
2 PLACE DECIMALS (XX) 1/64"
1 PLACE DECIMALS (X) 1/8"

MATERIAL :

FINISH :

E V L A	PROJECT	Antenna Electronics L302 Synthesizer
	TITLE	Dual Bipolar YIG Driver

NATIONAL RADIO ASTRONOMY OBSERVATORY SOCORRO, NEW MEXICO 87801	
DRAWN BY	DATE
J. Muehlberg	21-Jan-2003
DESIGNED BY	DATE
S. Wetenkamp	15-Dec-2002
APPROVED BY	DATE
T. Cotter	
SHEET NUMBER 1 OF 1	DRAWING NUMBER
REV. P3.0	SCALE

LOGO1

