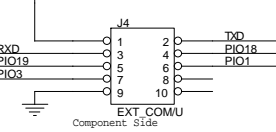


- MD10_15I
- MA10_19I
- CLKOUTA
- WR
- RD
- LCS
- UCS
- BHE
- DTX_186
- EN_INT
- RF_INT
- MCS0
- PCS0
- PCS6

- CPU_READY
- WR_LOW
- WR_HIGH

- (74) PIO23 EEP_CS
- (68) PIO24 EEP_SK
- (69) PIO25 EEP_DI
- (72) PIO0 EEP_DO
- (98) TXD
- (99) RXD
- (63) PIO18
- (62) PIO19
- (73) PIO1
- (60) PIO3
- (2) PIO22
- (100) PIO21
- (3) PIO20
- (65) PIO17
- (74) PIO10
- PIO26



- LCS- : 0H - 3FFFFH RAMCS-
- MCS0- : 40000H - 4FFFFH RFMCS-
- UCS- : 80000H - FFFFFH ROMCS-
- PCS0- : 0H - FFFH RFIOCS-
- PCS6- : 600H - 6FFH ENCS-
- INT0 : RF Module INTERRUPT
- INT1 : ENETHERNET INTERRUPT

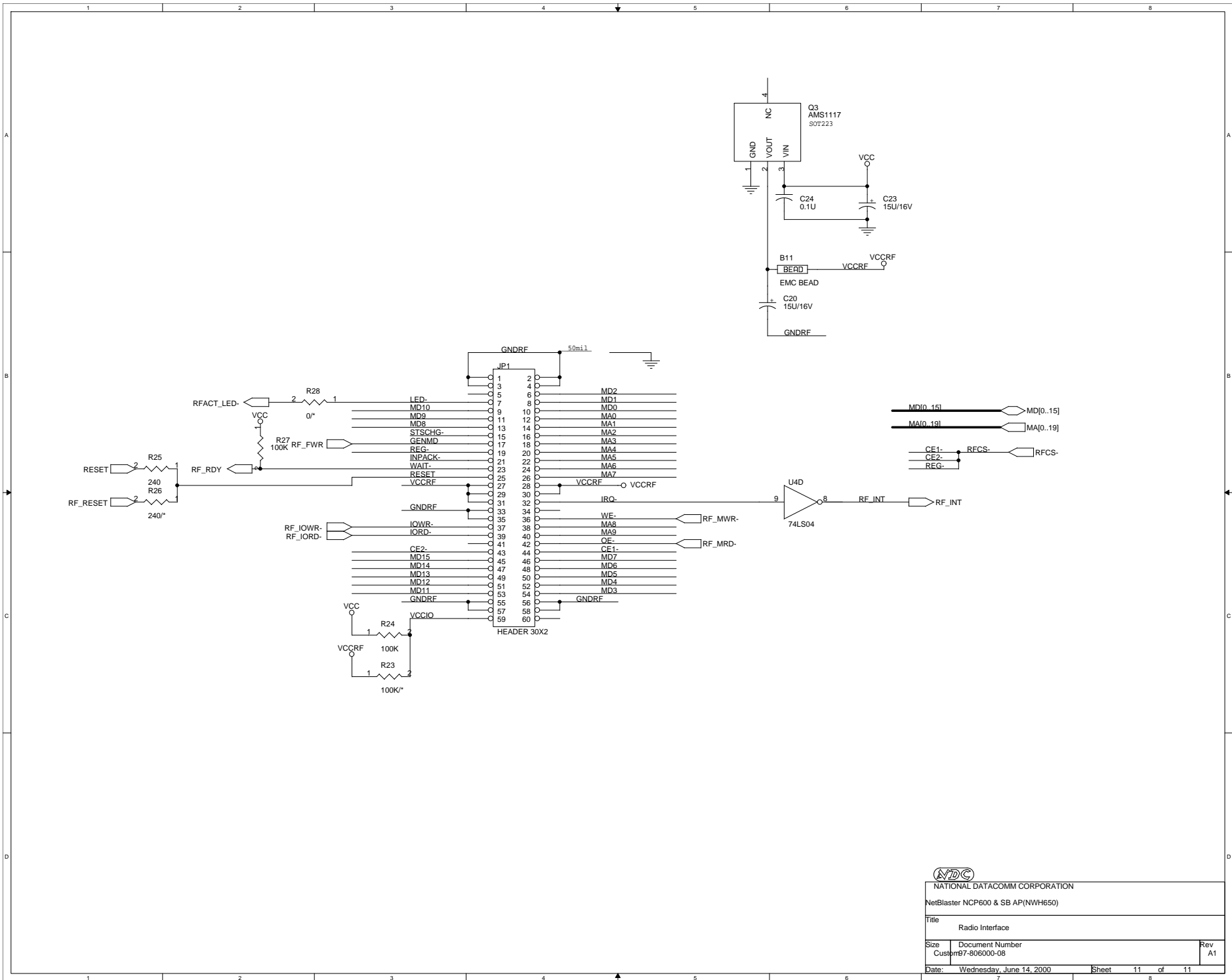
NDC
NATIONAL DATACOMM CORP.
 NetBlaster NCP600 & SB AP(NWH650)

Title: CPU AM186EM-40

Size: Document Number
 Custom#97-806000-08

Date: Wednesday, June 14, 2000 Sheet 4 of 11

Rev: A1



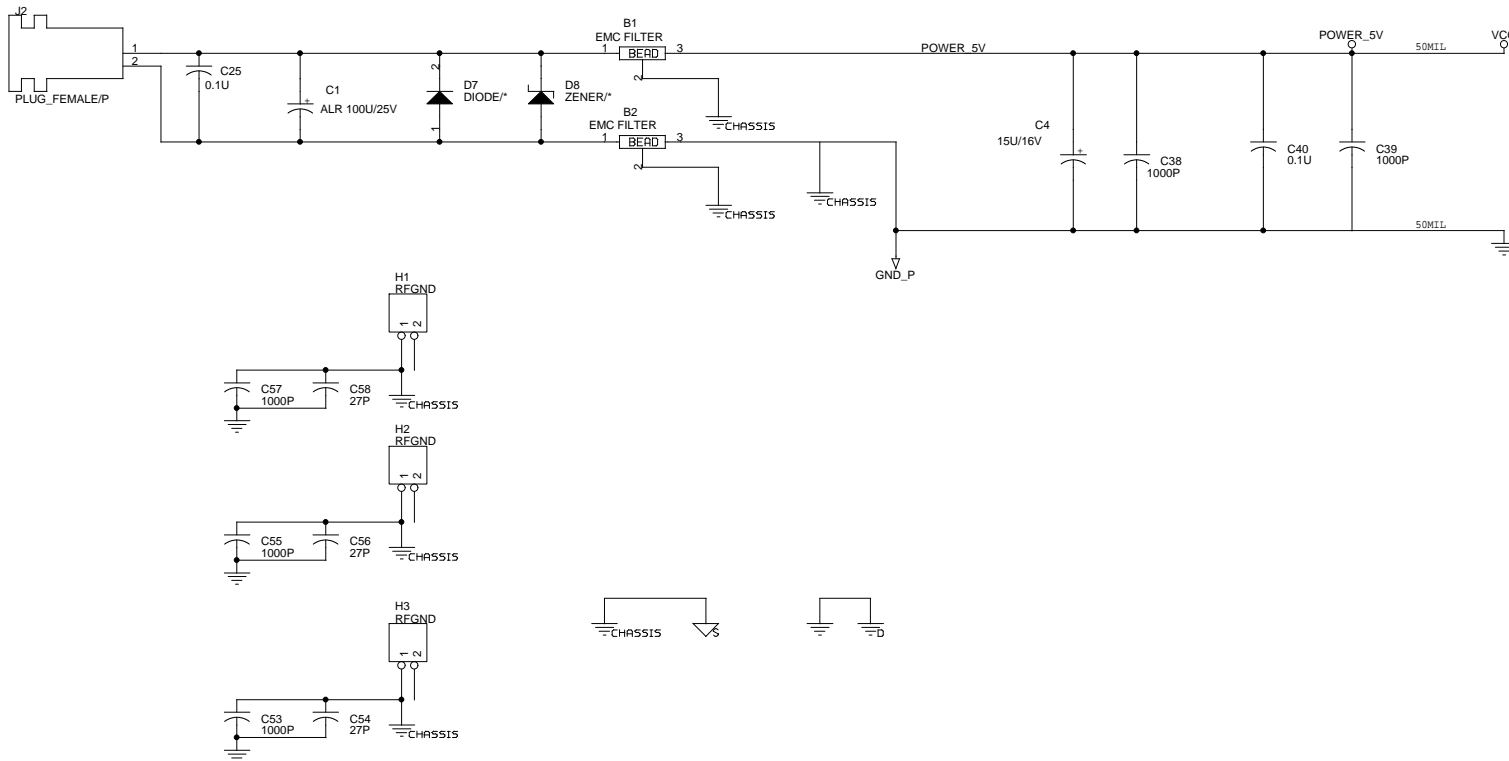
NATIONAL DATACOMM CORPORATION
 NetBlaster NCP600 & SB AP(NWH650)

Title
 Radio Interface

Size Document Number
 Custom#97-806000-08

Rev
 A1

Date: Wednesday, June 14, 2000 Sheet 11 of 11



NATIONAL DATACOMM CORP
 NetBlaster NCP600 & SB AP(NWH650)

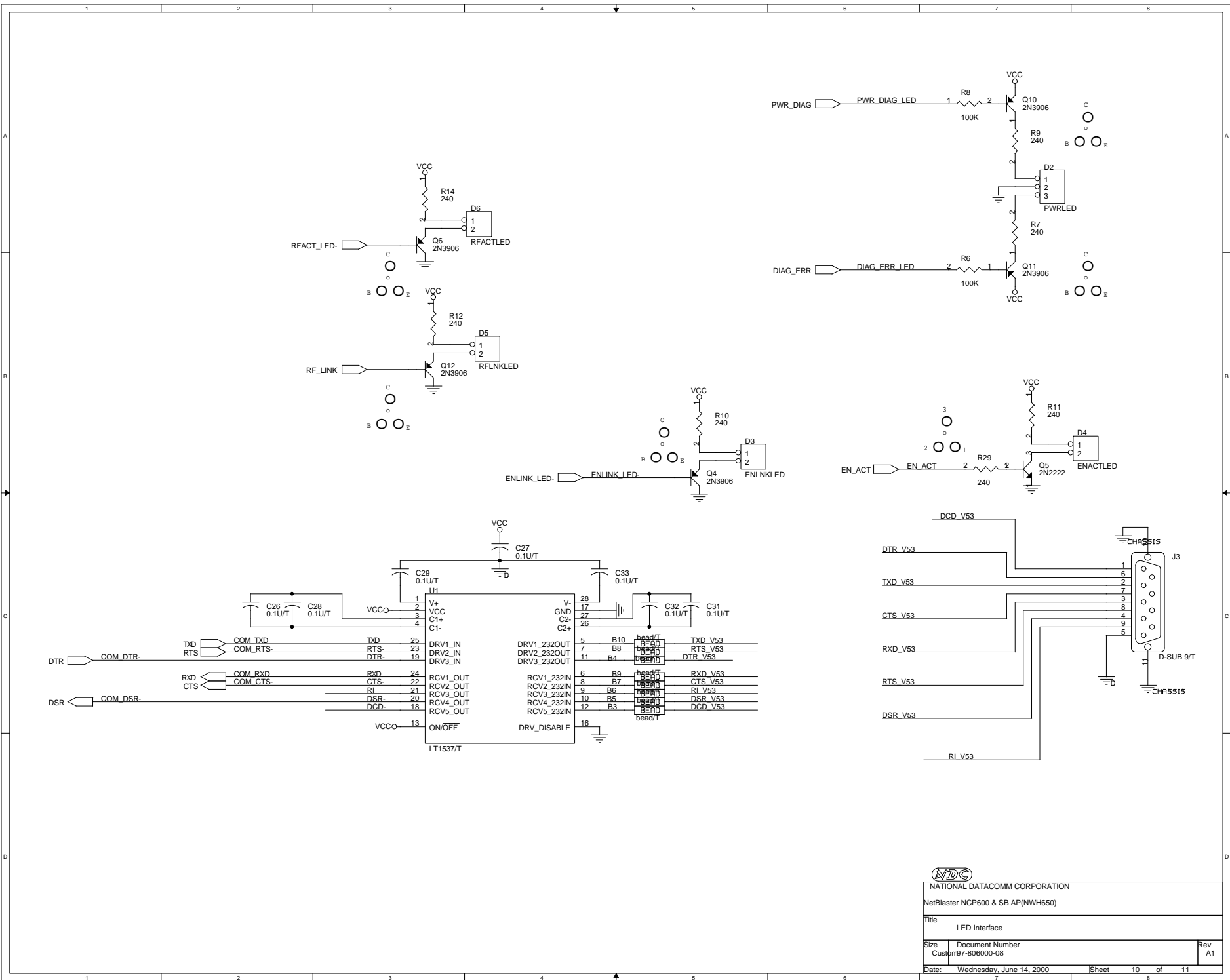
Title
 DC-TO-DC POWER CIRCUIT

Size Document Number
 Custom#97-806000-08

Rev
 A1

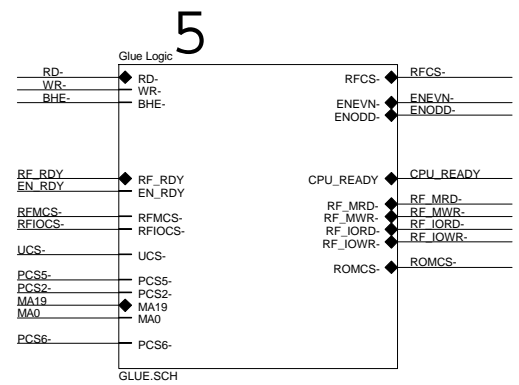
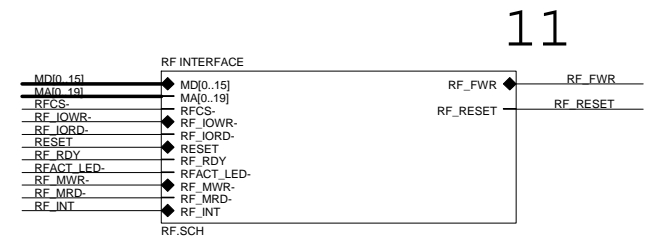
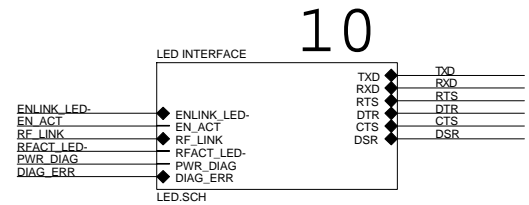
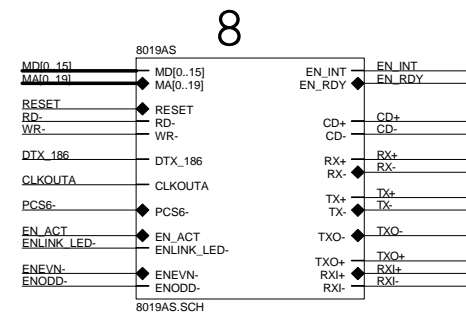
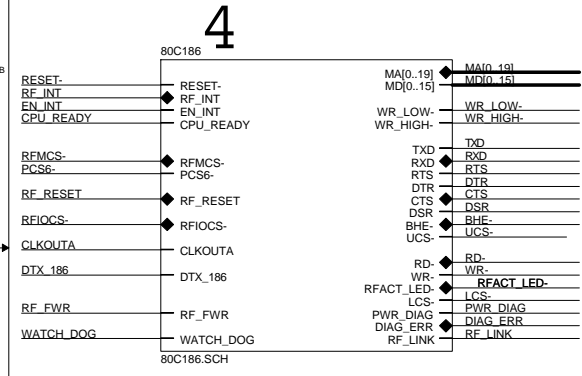
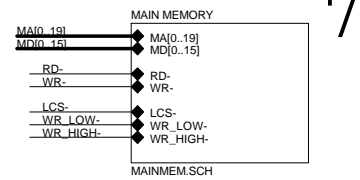
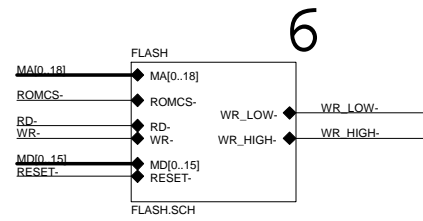
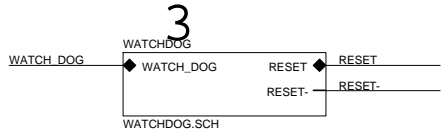
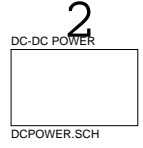
Date: Wednesday, June 14, 2000

Sheet 2 of 11



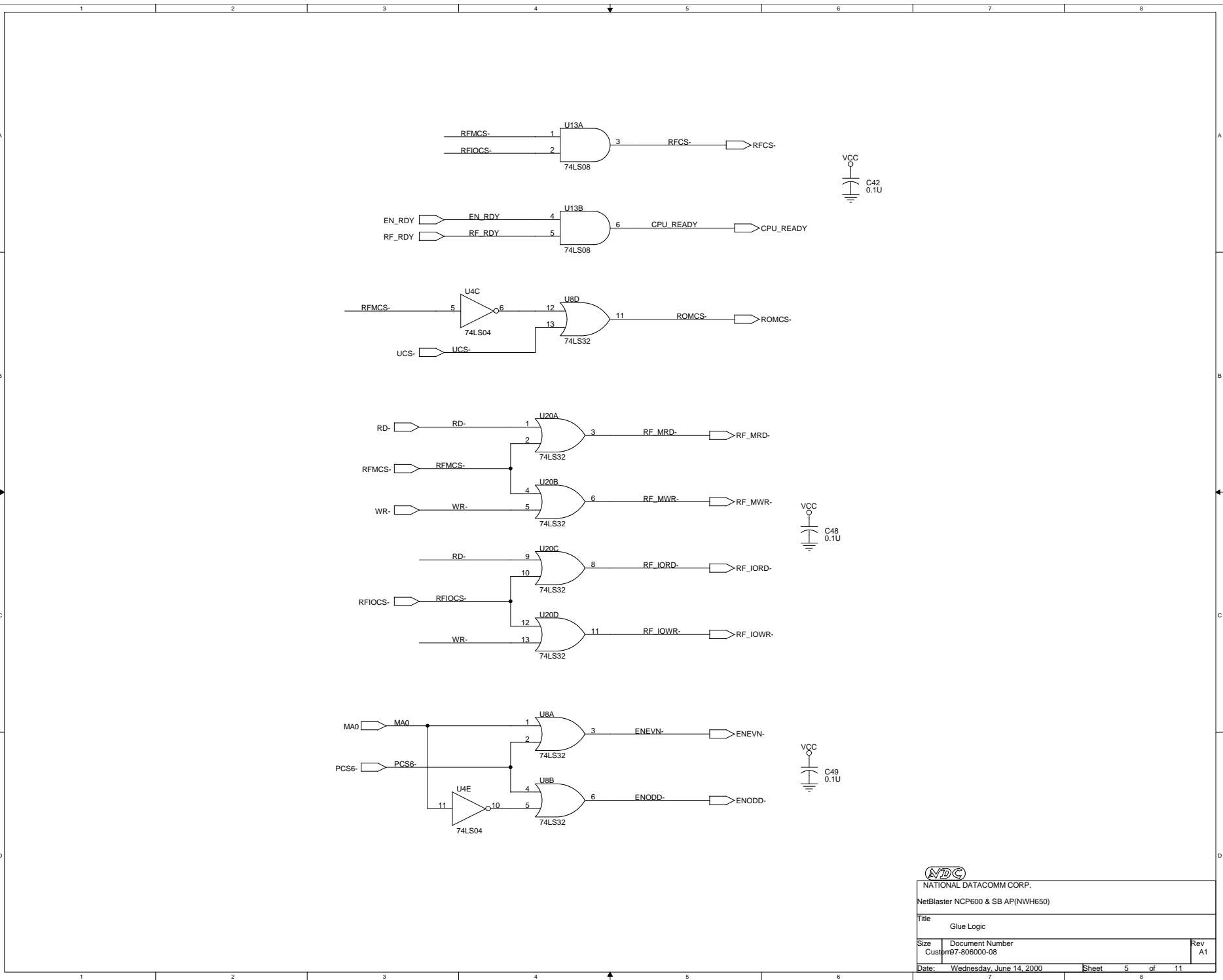
NATIONAL DATACOMM CORPORATION		
NetBlaster NCP600 & SB AP(NWH650)		
Title LED Interface		
Size	Document Number	Rev
Custom#97-806000-08		A1
Date:	Wednesday, June 14, 2000	Sheet 10 of 11

ECN NO.	REV.	DESCRIPTION	DATE	SIGN
	X1	NEW RELEASE		



NOTE : Part value with /T are not used in NCP600
Part value with /U are not used in NWH650
Part value with /* are not used in NWH650 & NCP600

DESIGNED	DATE	 NATIONAL DATACOMM CORPORATION NetBlaster(NCP600) & SB AP(NWH650)
CHECKED	DATE	
APPROVED	DATE	
Title		BLOCK DIAGRAM
Size		Document Number
Date		Customer Number
Date: Wednesday, June 14, 2000		Sheet 1 of 0



NATIONAL DATACOMM CORP.

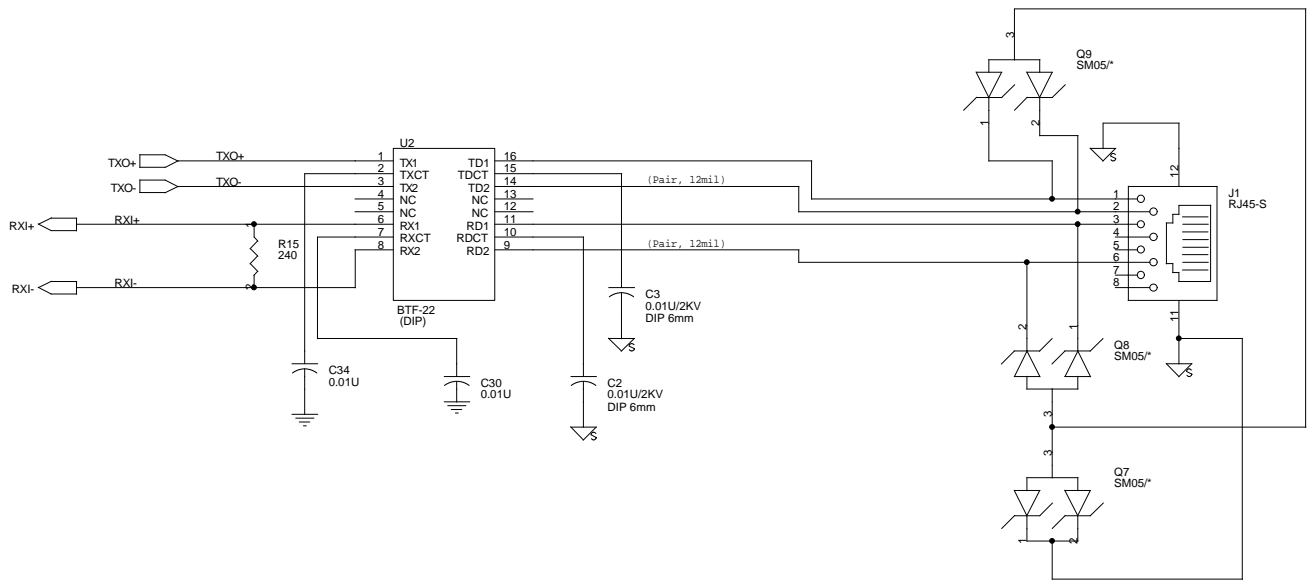
NetBlaster NCP600 & SB AP(NWH650)

Title
Glue Logic

Size Document Number
Custom#97-806000-08

Rev
A1

Date: Wednesday, June 14, 2000 Sheet 5 of 11



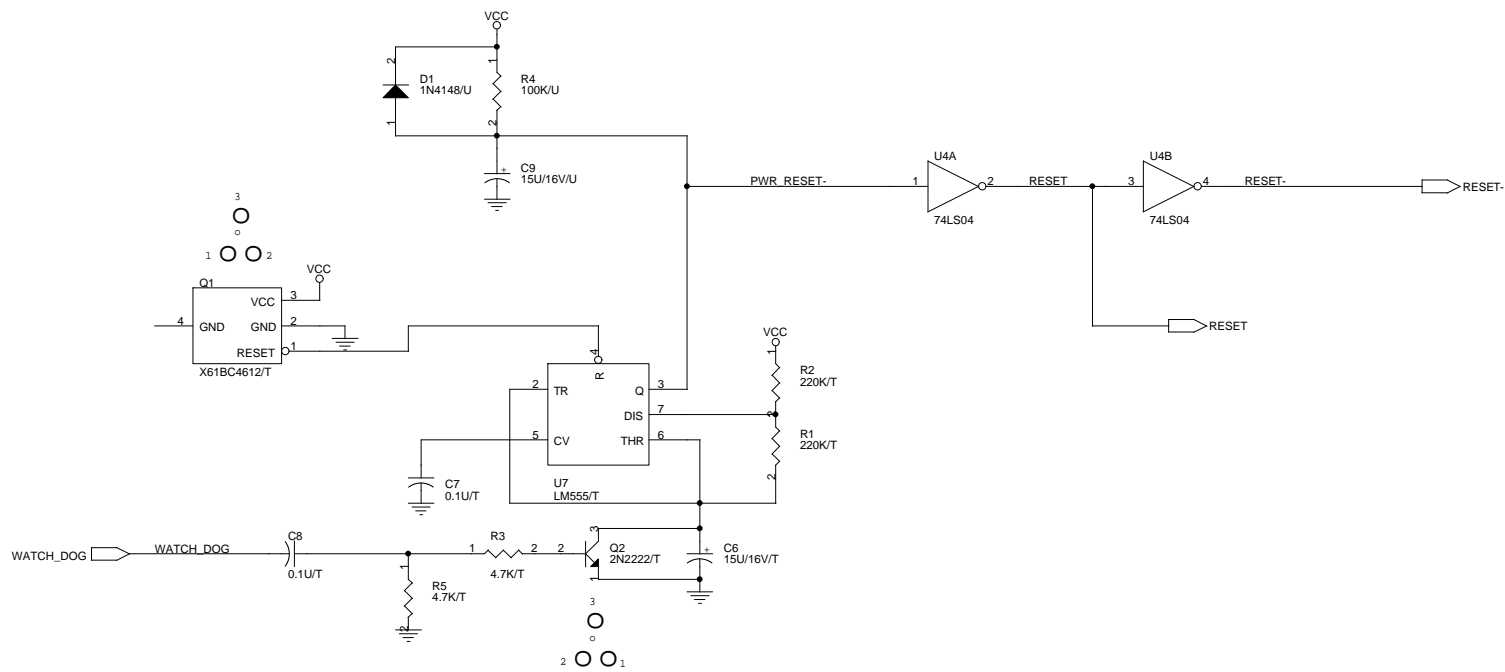
NATIONAL DATACOMM CORPORATION
 NetBlaster NCP600 & SB AP(NWH650)

Title
 TWISTED PAIR CIRCUIT

Size Document Number
 Custom97-806000-08

Rev
 A1

Date: Wednesday, June 14, 2000 Sheet 9 of 11



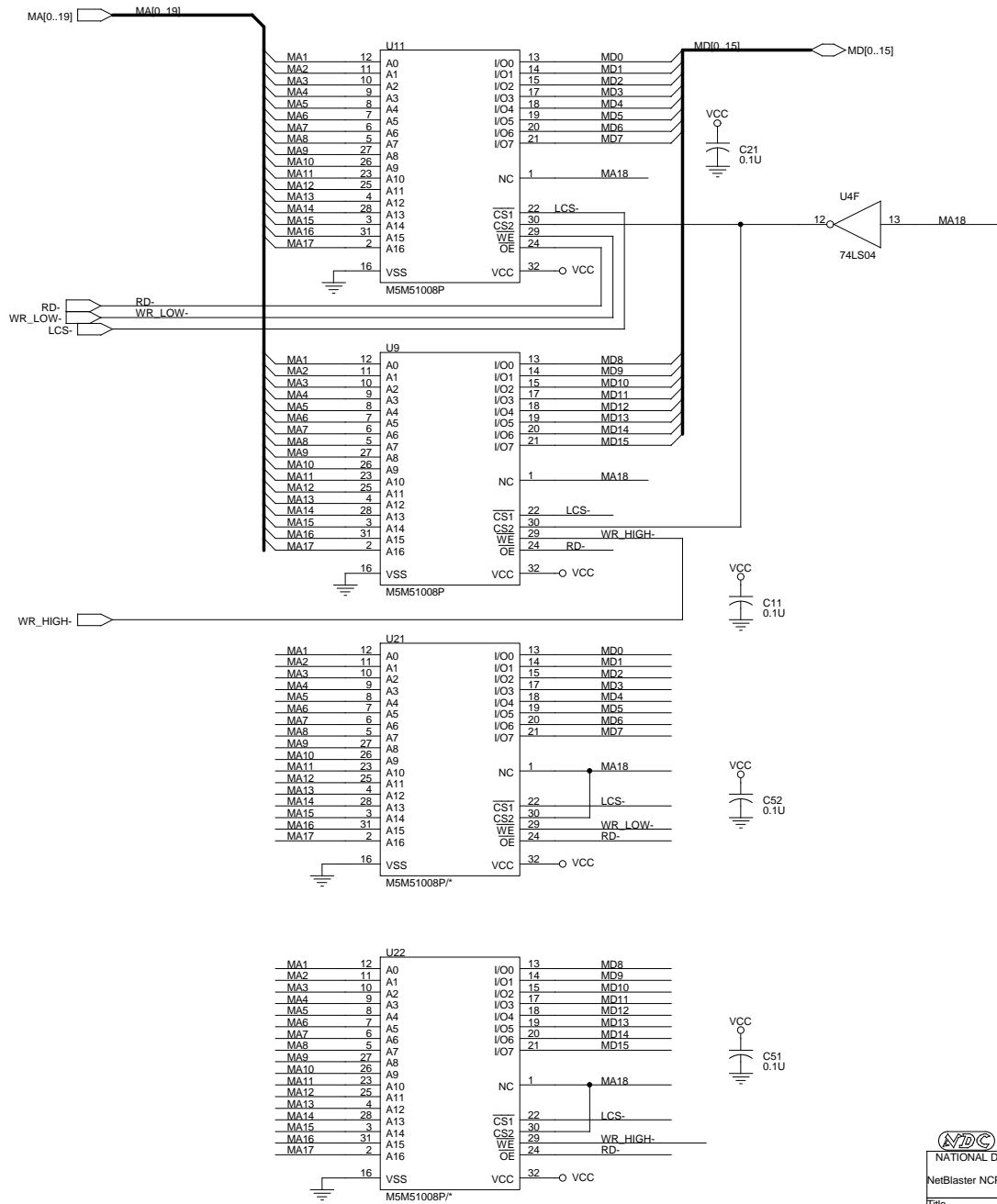
NATIONAL DATACOMM CORP.
NetBlaster NCP600 & SB AP(NWH650)

Title WATCH DOG & RESET INTERFACE

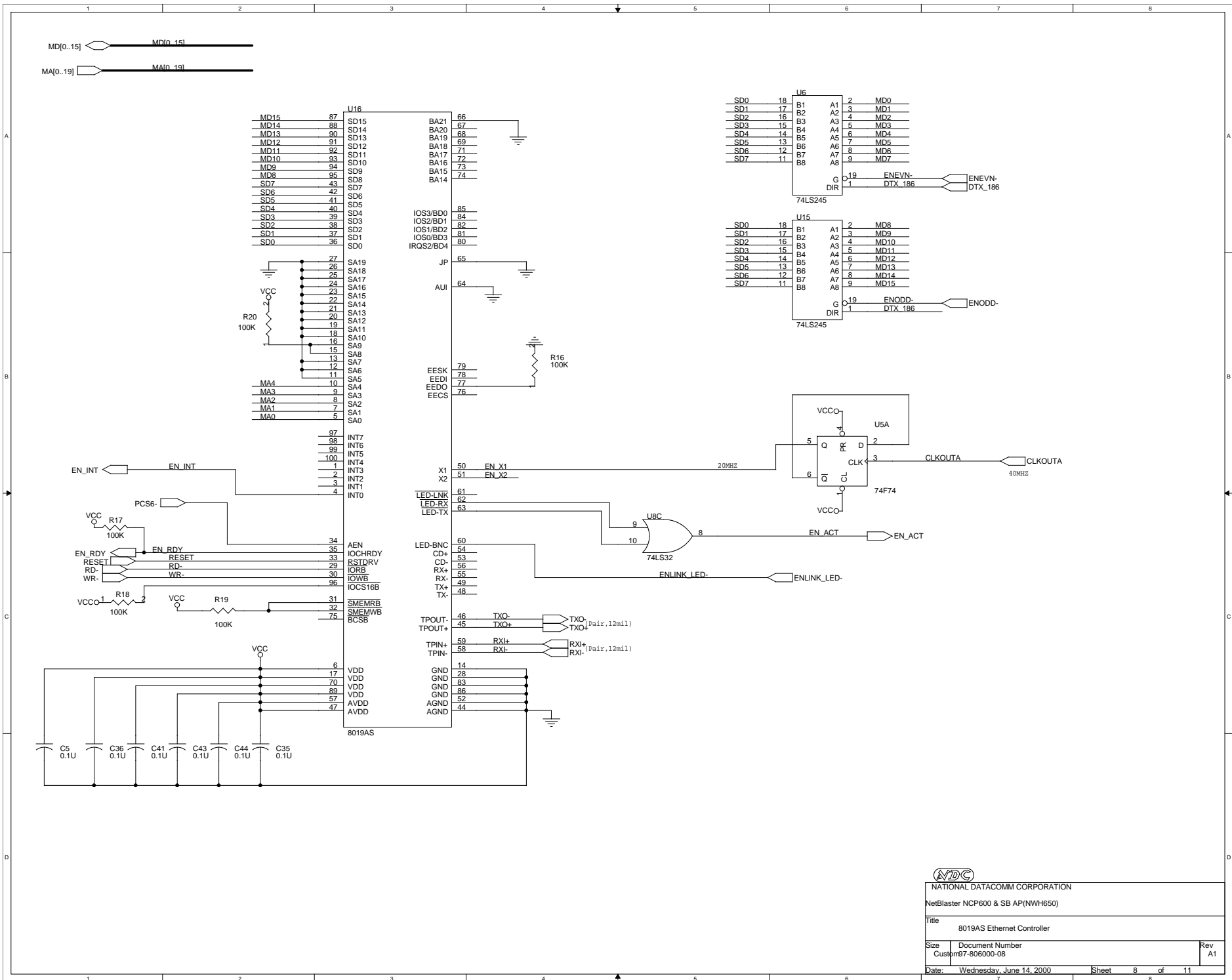
Size Document Number
Custom#97-806000-08

Rev
A1

Date: Wednesday, June 14, 2000 Sheet 3 of 11



NATIONAL DATACOMM CORP.		
NetBlaster NCP600 & SB AP(NWH650)		
Title MAIN MEMORY		
Size	Document Number	Rev
Custom#97-806600-08		A1
Date:	Wednesday, June 14, 2000	Sheet 7 of 11



NATIONAL DATACOMM CORPORATION

NetBlaster NCP600 & SB AP(NWH650)

Title 8019AS Ethernet Controller

Size Document Number
Custom#97-806000-08

Rev
A1

Date: Wednesday, June 14, 2000 Sheet 8 of 11