

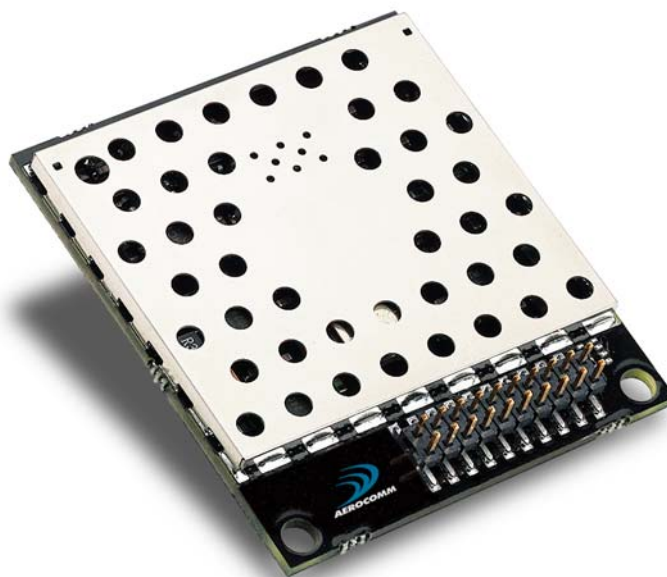


# **AC4490**

## **900 MHz OEM TRANSCEIVERS**

Specifications Subject to Change

User's Manual  
Version 2.3



**11160 THOMPSON AVENUE**  
**LENEXA, KS 66219**  
**(800) 492-2320**  
[www.aerocomm.com](http://www.aerocomm.com)  
[wireless@aerocomm.com](mailto:wireless@aerocomm.com)

---

## **DOCUMENT INFORMATION**

---

### **Copyright Information**

Copyright © 2005 AEROCOMM, Inc. All rights reserved. The information contained in this manual and the accompanying software programs are copyrighted and all rights are reserved by AEROCOMM, Inc. AEROCOMM, Inc. reserves the right to make periodic modifications of this product without obligation to notify any person or entity of such revision. Copying, duplicating, selling, or otherwise distributing any part of this product or accompanying documentation/software without the prior consent of an authorized representative of AEROCOMM, Inc. is strictly prohibited.

All brands and product names in this publication are registered trademarks or trademarks of their respective holders.

### **This material is preliminary**

Information furnished by AEROCOMM in this specification is believed to be accurate. Devices sold by AEROCOMM are covered by the warranty and patent indemnification provisions appearing in its Terms of Sale only. AEROCOMM makes no warranty, express, statutory, and implied or by description, regarding the information set forth herein. AEROCOMM reserves the right to change specifications at any time and without notice.

AEROCOMM's products are intended for use in normal commercial and industrial applications. Applications requiring unusual environmental requirements such as military, medical life-support or life-sustaining equipment are specifically not recommended without additional testing for such application.

### **Limited Warranty, Disclaimer, Limitation of Liability**

For a period of one (1) year from the date of purchase by the OEM customer, AeroComm warrants the OEM transceiver against defects in materials and workmanship. AeroComm will not honor this warranty (and this warranty will be automatically void) if there has been any (1) tampering, signs of tampering; 2) repair or attempt to repair by anyone other than an AeroComm authorized technician.

This warranty does not cover and AeroComm will not be liable for, any damage or failure caused by misuse, abuse, acts of God, accidents, electrical irregularity, or other causes beyond AeroComm's control, or claim by other than the original purchaser.

In no event shall AeroComm be responsible or liable for any damages arising: From the use of product; From the loss of use, revenue or profit of the product; or As a result of any event, circumstance, action, or abuse beyond the control of AeroComm, whether such damages be direct, indirect, consequential, special or otherwise and whether such damages are incurred by the person to whom this warranty extends or third party.

If, after inspection, AeroComm determines that there is a defect, AeroComm will repair or replace the OEM transceiver at their discretion. If the product is replaced, it may be a new or refurbished product.

---

## **DOCUMENT INFORMATION**

---

<b><u>Revision</u></b>	<b><u>Description</u></b>
Version 1.0	3/15/2002 – Initial Release Version
Version 1.1	12/18/2002 – Preliminary Release
Version 1.2	12/20/2002 – Preliminary Release. Changed location of new interface pins for higher compatibility with AC4424 product family.
Version 1.3	1/29/2003 – Updated interface baud rate formula/table. Updated current consumption table. Corrected RSSI plot. Updated Interface Timeout information. Renamed product family to AC4490. Multiple byte EEPROM read/write now allowed.
Version 1.4	2/18/2003 – Added Max Power byte. Removed Write Enable references. Fixed Power Down/Up command response. Removed Peer-to-Peer bit. Added Auto Destination. Added Unicast Only bit. Added 500mW product. Revised part numbers. Updated Channel Number settings.
Version 1.5	Not released.
Version 1.6	11/07/2003 – Added One Beacon and modem modes. Included AC4486 product line. Added 500mW specifications. Updated part numbers. Added AT Commands. Eliminated Commercial designation: All transceivers are now industrial qualified.
Version 1.7	7/09/04 – Changed Range Refresh so that 0h is an invalid setting. Updated AC4490 500mW output power (conducted and EIRP). Added warranty information. Changed AC4490-500 part number to AC4490-1000. Removed support of One Beacon Mode. Added DES.
Version 1.8	1/03/04 – Changed minimum Interface Timeout @ 19,200 baud to 3. Added support for One Beacon Mode. Changed voltage requirements for -200 module. Added on-the-fly Read Temperature command. Added on-the-fly EEPROM read/write commands. Removed AC4486 product information. Added Auto Channel.
Version 1.9	7/29/05 – Removed documentation for static commands. Added Australian Channels. Added CC 26 command. Updated mechanical drawing (updated third mounting hole location) for MMCX version. Included new RSSI table. Added 1x1 documentation. Added Protocol Status, Received Acknowledge and Receive API modes.
Version 2.0	9/6/05 – Added Appendix I - Power Supply Application Note.
Version 2.1	10/6/05 – Added CC 27 command. Added Long Range Mode. Added EEPROM write warning.
Version 2.2	11/8/05 – Removed CC 27 command. Removed Long Range mode. Corrected RS-485 DE Control.
Version 2.3	12/20/05 – Removed Stream mode documentation. Added Enhanced API features. Updated Australia channels.

---

## TABLE OF CONTENTS

---

<b>1.</b>	<b>OVERVIEW.....</b>	<b>7</b>
<b>2.</b>	<b>AC4490 SPECIFICATIONS .....</b>	<b>8</b>
<b>3.</b>	<b>SPECIFICATIONS.....</b>	<b>9</b>
3.1	INTERFACE SIGNAL DEFINITIONS .....	9
3.2	ELECTRICAL SPECIFICATIONS.....	10
3.3	SYSTEM TIMING AND LATENCY.....	11
3.3.1	<i>Serial Interface Data Rate.....</i>	<i>11</i>
3.3.2	<i>Latency.....</i>	<i>11</i>
3.3.3	<i>Timing Diagrams.....</i>	<i>13</i>
3.3.4	<i>Maximum Overall System Throughput.....</i>	<i>14</i>
<b>4.</b>	<b>CONFIGURING THE AC4490.....</b>	<b>15</b>
4.1	EEPROM PARAMETERS.....	15
4.2	CONFIGURATION FLOW OF THE AC4490 .....	18
4.3	COMMAND QUICK REFERENCE.....	19
4.4	EEPROM CONFIGURATION COMMANDS .....	21
4.4.1	<i>EEPROM Byte Read.....</i>	<i>21</i>
4.4.2	<i>EEPROM Byte Write.....</i>	<i>21</i>
4.4.3	<i>EEPROM Exit Configuration Mode Command.....</i>	<i>22</i>
4.5	AC4490 AT COMMANDS .....	22
4.5.1	<i>Enter AT Command Mode.....</i>	<i>22</i>
4.5.2	<i>AT Enter Configuration Mode.....</i>	<i>23</i>
4.5.3	<i>Exit AT Command Mode.....</i>	<i>23</i>
4.6	ON-THE-FLY CONTROL COMMANDS (CC COMMAND MODE) .....	23
4.6.1	<i>Status Request.....</i>	<i>24</i>
4.6.2	<i>Change Channel without Forced Acquisition Sync.....</i>	<i>24</i>
4.6.3	<i>Change Channel with Forced Acquisition Sync.....</i>	<i>24</i>
4.6.4	<i>Server/Client Command.....</i>	<i>24</i>
4.6.5	<i>Sync to Channel Command.....</i>	<i>25</i>
4.6.6	<i>Sleep Walk Power-Down Command.....</i>	<i>25</i>
4.6.7	<i>Sleep Walk Power-Down Wake-Up Command.....</i>	<i>26</i>
4.6.8	<i>Broadcast Mode.....</i>	<i>26</i>
4.6.9	<i>Write Destination Address.....</i>	<i>26</i>
4.6.10	<i>Read Destination Address.....</i>	<i>26</i>
4.6.11	<i>Auto Channel / Auto Destination.....</i>	<i>27</i>
4.6.12	<i>Read Digital Inputs.....</i>	<i>27</i>
4.6.13	<i>Read ADC.....</i>	<i>28</i>
4.6.14	<i>Report Last Valid RSSI.....</i>	<i>28</i>
4.6.15	<i>Write Digital Outputs.....</i>	<i>29</i>
4.6.16	<i>Write DAC.....</i>	<i>29</i>
4.6.17	<i>Set Max Power.....</i>	<i>30</i>
4.6.18	<i>Transmit Buffer Empty.....</i>	<i>30</i>
4.6.19	<i>Disable Sync to Channel.....</i>	<i>31</i>
4.6.20	<i>Deep Sleep Mode.....</i>	<i>31</i>
4.6.21	<i>Read Temperature.....</i>	<i>31</i>
4.6.22	<i>EEPROM Byte Read.....</i>	<i>31</i>
4.6.23	<i>EEPROM Byte Write.....</i>	<i>32</i>
4.6.24	<i>Reset Command.....</i>	<i>32</i>
<b>5.</b>	<b>THEORY OF OPERATION .....</b>	<b>33</b>

5.1	HARDWARE INTERFACE.....	33
5.1.1	<i>GIn (Generic Inputs 0 and 1) (pins 4 and 14 respectively) and GOn (Generic Outputs 0 and 1) (pins 1 and 9 respectively).....</i>	33
5.1.2	<i>TXD (Transmit Data) and RXD (Receive Data) (pins 2 and 3 respectively).....</i>	33
5.1.3	<i>Hop Frame (pin 6).....</i>	33
5.1.4	<i>CTS Handshaking (pin 7).....</i>	34
5.1.5	<i>RTS Handshaking (pin 8).....</i>	34
5.1.6	<i>9600 Baud (pin 12).....</i>	34
5.1.7	<i>RSSI (pin 13).....</i>	34
5.1.8	<i>UP_Reset (pin 15).....</i>	35
5.1.9	<i>Command/Data (pin 17).....</i>	35
5.1.10	<i>AD In and DA Out (pins 18 and 19 respectively).....</i>	36
5.1.11	<i>In Range (pin 20).....</i>	36
5.2	SOFTWARE PARAMETERS.....	36
5.2.1	<i>RF Architecture (Unicast/Broadcast).....</i>	36
5.2.2	<i>RF Mode.....</i>	36
5.2.3	<i>Sub Hop Adjust.....</i>	37
5.2.4	<i>Duplex Mode.....</i>	37
5.2.5	<i>Interface Timeout/RF Packet Size.....</i>	37
5.2.6	<i>Serial Interface Baud Rate.....</i>	38
5.2.7	<i>Network Topology.....</i>	38
5.2.8	<i>Auto Config.....</i>	40
5.2.9	<i>One Beacon Mode.....</i>	41
5.2.10	<i>Max Power.....</i>	42
5.2.11	<i>Interface Options.....</i>	44
5.2.12	<i>Protocol Status and Received Acknowledgment.....</i>	45
5.2.13	<i>Receive API.....</i>	45
5.2.14	<i>Enhanced Receive API.....</i>	45
5.2.15	<i>Transmit API Packet.....</i>	46
5.2.16	<i>API Send Data Complete.....</i>	46
<b>6.</b>	<b>DIMENSIONS.....</b>	<b>47</b>
<b>7.</b>	<b>ORDERING INFORMATION.....</b>	<b>52</b>
7.1	PRODUCT PART NUMBER TREE.....	52
7.2	DEVELOPER KIT PART NUMBERS.....	52
<b>8.</b>	<b>AGENCY COMPLIANCY INFORMATION.....</b>	<b>53</b>
8.1	AC4490-1x1.....	53
8.2	AGENCY IDENTIFICATION NUMBERS.....	53
8.3	APPROVED ANTENNA LIST.....	54
FCC / INDUSTRY CANADA (IC) REQUIREMENTS FOR MODULAR APPROVAL.....		55
8.3.1	<i>OEM Equipment Labeling Requirements.....</i>	55
8.3.2	<i>Antenna Requirements.....</i>	55
8.3.3	<i>Warnings Required in OEM Manuals.....</i>	56
8.3.4	<i>Channel Warning.....</i>	56
<b>9.</b>	<b>APPENDIX I - POWER SUPPLY APPLICATION NOTE.....</b>	<b>57</b>
9.1	OVERVIEW.....	57

## Figures

Figure 1 – RSSI Voltage vs. Received Signal Strength.....	35
Figure 2 - AC4490 (with MMCX Connector) Mechanical.....	47
Figure 3 - AC4490 (with Integral GigaAnt Antenna on Top) Mechanical.....	48
Figure 4 - AC4490 (with Integral GigaAnt Antenna on Bottom) Mechanical.....	49

Figure 5 - AC4490-1x1 Mechanical .....	50
Figure 6 - AC4490-1x1 PCB Considerations.....	51

**Tables**

Table 1 – Pin Definitions.....	9
Table 2 - Input Voltage Characteristics (AC4490-1000 and AC4490-1x1) .....	10
Table 3 – Input Voltage Characteristics (All Others) .....	10
Table 4 – Output Voltage Characteristics (All) .....	11
Table 5 – Supported Serial Formats.....	11
Table 6 – Timing Parameters .....	14
Table 7 – Maximum Overall System Throughputs .....	14
Table 8 – EEPROM Parameters .....	15
Table 9 – Baud Rate/Interface Timeout .....	38
Table 10 – US and International RF Channel Number Settings .....	40
Table 11 – Auto Config Parameters .....	41
Table 12 – One Beacon Mode Settings .....	41
Table 13 – Current versus Output Power for AC4490-1x1 Transmitter .....	42
Table 14 – Current versus Output Power for AC4490-200 Transmitter .....	42
Table 15 – Current versus Output Power for AC4490-1000 Transmitter .....	43
Table 16 – Transceiver Interface to DCE (Server Transceiver) .....	44
Table 17 – Transceiver Interface to DTE (Client Transceiver) .....	44
Table 18 – Agency Identification Numbers.....	53
Table 19 – AC4490 Approved Antenna List .....	54

### **AC4490 Features**

- ✓ Drop-in replacement for AC4424 2.4GHz product family
- ✓ Two generic input and output digital lines and integrated DAC/ADC functions
- ✓ Frequency Hopping Spread Spectrum for security and interference rejection
- ✓ Cost Effective for high volume applications
- ✓ Very low power consumption for battery powered implementations
- ✓ Small size for portable and enclosed applications
- ✓ Very Low latency and high throughput
- ✓ All modules are qualified for Industrial temperatures (-40°C to 80°C)

### **1. Overview**

The AC4490 is a member of AeroComm's ConnexRF OEM transceiver family. The AC4490 is designed for integration into OEM systems operating under FCC part 15.247 regulations for the 900 MHz ISM band.

The AC4490 is a cost-effective, high performance, frequency hopping spread spectrum transceiver. It provides an asynchronous TTL/RS-485 level serial interface for OEM Host communications. Communications include both system and configuration data. The Host supplies system data for transmission to other Host(s). Configuration data is stored in an on-board EEPROM. All frequency hopping, synchronization, and RF system data transmission/reception is performed by the transceiver.

These transceivers can be used as a direct serial cable replacement – requiring no special Host software for operation. They also feature a number of On-the-Fly Control Commands providing the OEM with a very versatile interface for any network.

AC4490 transceivers operate in a Point-to-Point or Point-to-Multipoint, Client-Server or Peer-to-Peer architecture. One transceiver is configured as a Server and there can be one or many Clients. To establish synchronization between transceivers, the Server emits a beacon. Upon detecting a beacon, a Client transceiver informs its Host and a RF link is established.

This document contains information about the hardware and software interface between an AeroComm AC4490 transceiver and an OEM Host. Information includes the theory of operation, specifications, interface definition, configuration information and mechanical drawings.

The OEM is responsible for ensuring the final product meets all appropriate regulatory agency requirements listed herein before selling any product.

## AC4490 Specifications

### 2. AC4490 Specifications

GENERAL																													
20 Pin Interface Connector	Samtec TMM-110-01-L-D-SM, mates with Samtec SMM-110-02-S-D																												
RF Connector	MMCX receptacle, mates with any manufacturer's MMCX style plug																												
Antenna	AC4490-1x1: Customer must provide AC4490-200: MMCX Connector or integral antenna AC4490-1000: MMCX Connector																												
Serial Interface Data Rate	Baud rates from 1200 bps to 115,200 bps																												
Power Consumption (typical)	<p style="text-align: center;"><b>Duty Cycle (TX=Transmit; RX=Receive)</b></p> <table border="1" style="margin-left: auto; margin-right: auto;"> <thead> <tr> <th></th> <th>10%TX</th> <th>50%TX</th> <th>100%TX</th> <th>100%RX</th> <th>Pwr-Down</th> <th>Deep Sleep</th> </tr> </thead> <tbody> <tr> <td>AC4490-1x1:</td> <td>33mA</td> <td>54mA</td> <td>80mA</td> <td>28mA</td> <td>15mA</td> <td>3mA</td> </tr> <tr> <td>AC4490-200:</td> <td>38mA</td> <td>68mA</td> <td>106mA</td> <td>30mA</td> <td>19mA</td> <td>6mA</td> </tr> <tr> <td>AC4490-1000:</td> <td>130mA</td> <td>650mA</td> <td>1300mA</td> <td>30mA</td> <td>19mA</td> <td>6mA</td> </tr> </tbody> </table>		10%TX	50%TX	100%TX	100%RX	Pwr-Down	Deep Sleep	AC4490-1x1:	33mA	54mA	80mA	28mA	15mA	3mA	AC4490-200:	38mA	68mA	106mA	30mA	19mA	6mA	AC4490-1000:	130mA	650mA	1300mA	30mA	19mA	6mA
	10%TX	50%TX	100%TX	100%RX	Pwr-Down	Deep Sleep																							
AC4490-1x1:	33mA	54mA	80mA	28mA	15mA	3mA																							
AC4490-200:	38mA	68mA	106mA	30mA	19mA	6mA																							
AC4490-1000:	130mA	650mA	1300mA	30mA	19mA	6mA																							
Channels	3 Channel Sets comprising 56 total channels																												
Security	One byte System ID. 56 bit DES encryption key.																												
Interface Buffer Size	Input/Output: 256 bytes each																												
TRANSCEIVER																													
Frequency Band	902 – 928 MHz																												
RF Data Rate	76.8kbps fixed																												
RF Technology	Frequency Hopping Spread Spectrum																												
Output Power	<table border="1" style="margin-left: auto; margin-right: auto;"> <thead> <tr> <th></th> <th>Conducted (no antenna)</th> <th>EIRP (3dBi gain antenna)</th> </tr> </thead> <tbody> <tr> <td>AC4490-1x1:</td> <td>10mW typical</td> <td>20mW typical</td> </tr> <tr> <td>AC4490-200:</td> <td>100mW typical</td> <td>200mW typical</td> </tr> <tr> <td>AC4490-1000:</td> <td>743mW typical</td> <td>1486mW typical</td> </tr> </tbody> </table>		Conducted (no antenna)	EIRP (3dBi gain antenna)	AC4490-1x1:	10mW typical	20mW typical	AC4490-200:	100mW typical	200mW typical	AC4490-1000:	743mW typical	1486mW typical																
	Conducted (no antenna)	EIRP (3dBi gain antenna)																											
AC4490-1x1:	10mW typical	20mW typical																											
AC4490-200:	100mW typical	200mW typical																											
AC4490-1000:	743mW typical	1486mW typical																											
Supply Voltage	AC4490-1x1: 3.3V, $\pm 50$ mV ripple AC4490-200: 3.3 – 5.5V, $\pm 50$ mV ripple AC4490-1000: Pin 10: 3.3 – 5.5V $\pm 50$ mV ripple Pin 11: 3.3 $\pm 3\%$ , $\pm 100$ mV ripple																												
Sensitivity	-99dBm typical @ 76.8kbps RF Data Rate																												
Range, Line of Site (based on 3dBi gain antenna)	AC4490-1x1: 1 mile AC4490-200: 4 miles AC4490-1000: 20 miles																												
ENVIRONMENTAL																													
Temperature (Operating)	-40°C to 80°C																												
Temperature (Storage)	-50°C to +85°C																												
Humidity (non-condensing)	10% to 90%																												
PHYSICAL																													
Dimensions	Transceiver with MMCX Connector: 1.65" x 1.9" x 0.20" Transceiver with Integral Antenna: 1.65" x 2.65" x 0.20" AC4490-1x1: 1.00" x 1.00" x 0.162"																												
Weight	Less than 0.75 ounce																												



## AC4490 Specifications

### 3. Specifications

#### 3.1 INTERFACE SIGNAL DEFINITIONS

The table below shows the connector pin numbers and associated functions. The I/O direction is with respect to the transceiver. All outputs are 3.3VDC levels and inputs are 5VDC TTL (with the exception of AC4490-1x1 and AC4490-1000 transceivers which have 3.3V inputs). All inputs are weakly pulled High and may be left floating during normal operation (with the exceptions listed for the AC4490-1x1).

**Table 1 – Pin Definitions**

Module Pin	1x1 Pin	Type	Signal Name	Function
1	4	Output	GO0	Generic Output pin
2	6	Output	TXD	Transmitted data out of the transceiver
	N/A	I/O	RS485 A (True) <sup>1</sup>	Non-inverted RS-485 representation of serial data
3	7	Input	RXD	Data input to the transceiver
	N/A	I/O	RS485 B (Invert) <sup>1</sup>	Inverse of RS-485 A
4	5 <sup>2</sup>	Input	GI0	Generic Input pin
5,16	3,13	GND	GND	Signal Ground
6	1	Output	Hop Frame	Pulses Low when the transceiver is hopping.
7	9	Output	CTS	Clear to Send – Active Low when the transceiver is ready to accept data for transmission.
8	10 <sup>2</sup>	Input	RTS	Request to Send – When enabled in EEPROM, the OEM Host can take this High when it is not ready to accept data from the transceiver. Keeping RTS High for too long can cause data loss.
9	19	Output	GO1	Generic Output pin
10,11	2,11	PWR	VCC	AC4490-1x1: 3.3V, ±50mV ripple AC4490-200: 3.3 – 5.5V, ±50mV ripple AC4490-1000: Pin 10 (digital supply): 3.3 – 5.5V, ±50mV ripple, 50mA max Pin 11 (Power Amplifier supply): 3.3V ±3%, ±100mV ripple, 1.3A max
12	23	Input	9600_BAUD	9600_BAUD – When pulled logic Low and then applying power or resetting, the transceiver's serial interface is forced to a 9600, 8, N, 1 rate. To exit, transceiver must be reset or power-cycled with 9600_Baud logic High.
13	12	Output	RSSI	Received Signal Strength - An analog output giving an instantaneous indication of received signal strength. Only valid while in Receive Mode.
14	21 <sup>2</sup>	Input	GI1	Generic Input pin
15	16	Input	UP_RESET	RESET – Controlled by the AC4490 for power-on reset if left unconnected. After a Stable power-on reset, a logic High pulse will reset the transceiver.
17	17	Input	Command/Data	When logic Low, the transceiver interprets Host data as command data. When logic High, the transceiver interprets Host data as transmit data.
18	15 <sup>3</sup>	Input	AD In	10 bit Analog Data Input
19	20 <sup>4</sup>	Output	DA Out	10 bit Analog Data Output
20	18	Output	IN_RANGE	In Range – Active Low when a Client transceiver is in range of a Server on same Channel with the same System ID. Always Low on a Server (unless Sync-to-Channel is enabled).
N/A	14	RF	RF PORT	RF Interface.
N/A	22	Input	RESET	Active Low version of UP_RESET. If RESET is used, UP_RESET should be left floating.

<sup>1</sup> When ordered with a RS-485 interface (not available on the AC4490-1x1).

<sup>2</sup> Must be tied to VCC or GND if not used. Should never be permitted to float.

<sup>3</sup> If used, requires a shunt 0.1µF capacitor at pin 15 followed by a series 1kΩ resistor.

<sup>4</sup> If used, requires a series 1kΩ resistor at pin 20 followed by a shunt 0.1µF capacitor.

## AC4490 Specifications

N/A	8,24-28	N/C	No Connect	These pins have an internal connection and should be left floating.
-----	---------	-----	------------	---

### 3.2 ELECTRICAL SPECIFICATIONS

**Table 2 - Input Voltage Characteristics (AC4490-1000 and AC4490-1x1)**

-1000 Pin	-1x1 Pin	Type	Name	High Min.	High Max.	Low Min.	Low Max.	Unit
2,3	N/A	I/O	RS485A/B	N/A	12	-7	N/A	V
3	7	I	RXD	2.24	3.3	0	0.96	V
4	5	I	GI0	2.24	3.3	0	0.96	V
8	10	I	RTS	2.24	3.3	0	0.96	V
12	23	I	9600_Baud	2.24	3.3	0	0.96	V
14	21	I	GI1	2.24	3.3	0	0.96	V
15	16	I	UP_RESET	0.8	3.3	0	0.6	V
17	17	I	Command/Data	2.24	3.3	0	0.96	V
18	15	I	AD In	N/A	3.3	0	N/A	V
N/A	22	I	UP_RESET	2.24	3.3	0	0.96	V

**Table 3 – Input Voltage Characteristics (All Others)**

Pin	Type	Name	High Min.	High Max.	Low Min.	Low Max.	Unit
2,3	I/O	RS485A/B	N/A	12	-7	N/A	V
3	I	RXD	2	5.5	0	0.8	V
4	I	GI0	2	5.5	0	0.8	V
8	I	RTS	2	5.5	0	0.8	V
12	I	9600_Baud	2	5.5	0	0.8	V
14	I	GI1	2	5.5	0	0.8	V
15	I	UP_RESET	0.8	5	0	0.6	V
17	I	Command/Data	2	5.5	0	0.8	V
18	I	AD In	N/A	3.3	0	N/A	V

**Table 4 – Output Voltage Characteristics (All)**

Module Pin	1x1 Pin	Type	Name	High Min.	Low Max.	Unit
1	4	O	GO0	2.5 @ 8mA	0.4 @ 8mA	V
2	6	O	TXD	2.5 @ 2mA	0.4 @ 2mA	V
2,3	N/A	I/O	RS485A/B	3.3 @ 1/8 Unit Load	N/A	V
6	1	O	Hop Frame	2.5 @ 2mA	0.4 @ 2mA	V
7	9	O	CTS	2.5 @ 2mA	0.4 @ 2mA	V
9	19	O	GO1	2.5 @ 2mA	0.4 @ 2mA	V
13	12	O	RSSI	See Figure 1	See Figure 1	V
19	20	O	DA Out	N/A	N/A	V <sup>5</sup>
20	18	O	IN_RANGE	2.5 @ 2mA	0.4 @ 2mA	V

**3.3 SYSTEM TIMING AND LATENCY**

Care should be taken when selecting transceiver architecture as it can have serious effects on data rates, latency timings, and overall system throughput. The importance of these three characteristics will vary from system to system and should be a strong consideration when designing the system.

**3.3.1 Serial Interface Data Rate**

The Serial Interface Data Rate is programmable by the Host. This is the rate the Host and transceiver communicate over the serial bus. Possible values range from 1200 bps to 115,200 bps. **Note: Enabling Parity Mode cuts throughput in half and the Interface Buffer size in half.** The following asynchronous serial data formats are supported:

**Table 5 – Supported Serial Formats**

Data Bits	Parity	Stop Bits	Transceiver Programming Requirements
9	N	1	Parity Mode enabled
8	N	1	Parity Mode disabled
8	N	2	Parity Mode enabled
8	E,O,M,S	1	Parity Mode enabled
7	E,O,M,S	2	Parity Mode enabled
7	N	2	Parity mode disabled
7	E,O,M,S	1	Parity Mode disabled

**3.3.2 Latency**

**Acknowledge Mode**

The transceiver will use Interface Timeout in conjunction with Fixed Packet Length (whichever condition occurs first) to determine a complete packet to be sent over the RF. If Full Duplex is enabled, the

<sup>5</sup> DA Out is an unbuffered, high impedance output and **must be buffered** by the OEM Host when used.

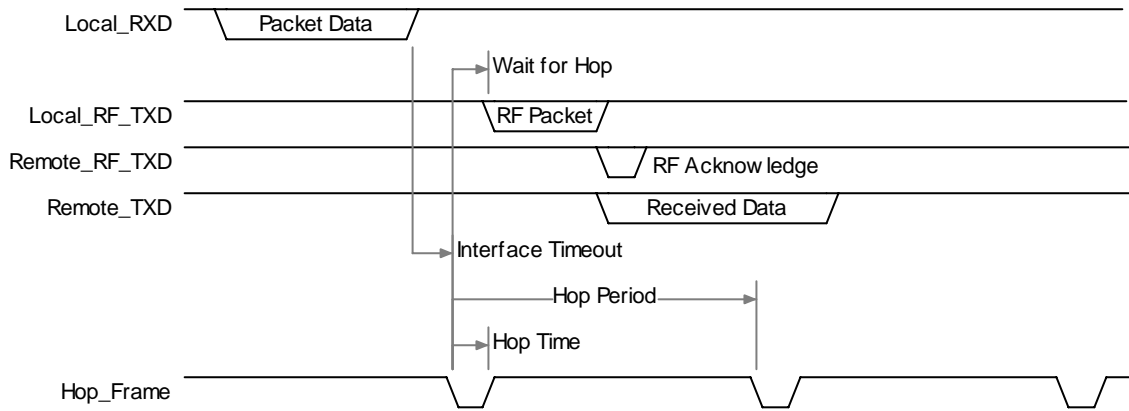
## ***AC4490 Specifications***

---

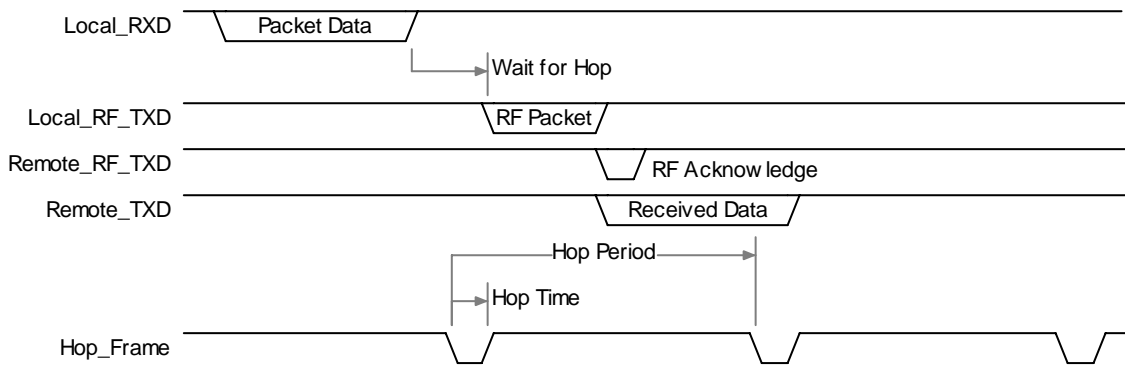
transceiver must wait for its appropriate hop (even numbered hops for the Server and odd numbered hops for the Client). Upon doing this, the transceiver will calculate the amount of time until the next hop to ensure that it has time to send the packet. If there is enough time, it will send the packet: if not, it will wait until its next appropriate hop. Transmit Retries and Broadcast Attempts are handled in this same manner.

**3.3.3 Timing Diagrams**

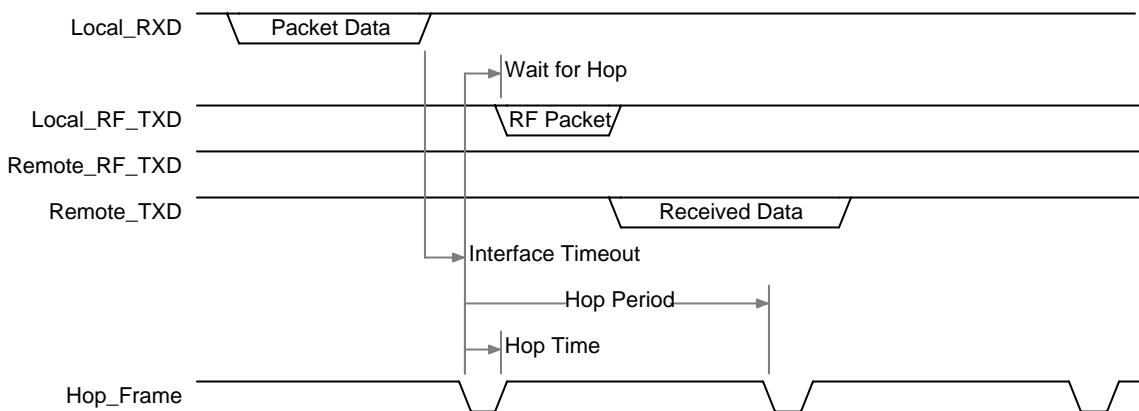
**Addressed Acknowledge Mode with Interface Timeout:**



**Addressed Acknowledge Mode with Fixed Packet Length:**

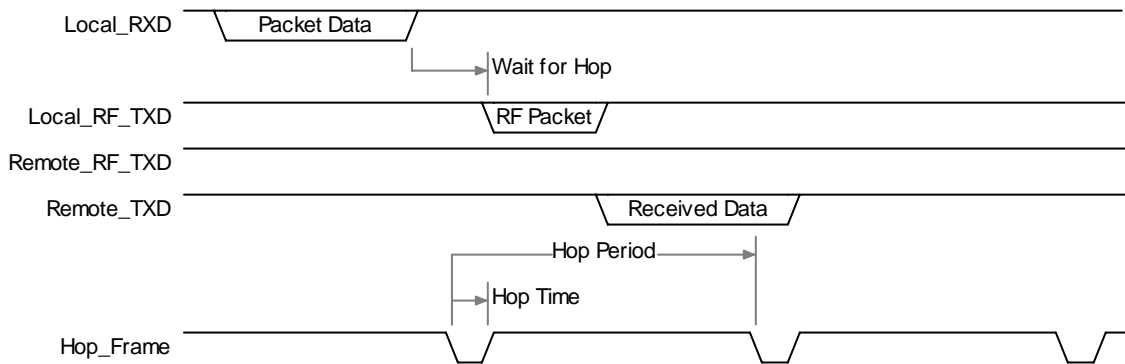


**Broadcast Acknowledge Mode with Interface Timeout:**



## AC4490 Specifications

### Broadcast Acknowledge Mode with Fixed Packet Length:



**Table 6 – Timing Parameters**

Parameter	Typical Time (ms)
Hop Time	1
Hop Period	20

### 3.3.4 Maximum Overall System Throughput

When configured as shown in the table below, an AC4490 transceiver is **capable** of achieving the listed throughput. However, in the presence of interference or at longer ranges, the transceiver might not be able to meet these specified throughputs.

**Table 7 – Maximum Overall System Throughputs**

RF Mode	One Beacon Mode	Parity Mode	Throughput (bps) Half Duplex	Throughput (bps) Full Duplex
Acknowledge	Disabled	Disabled	38k	19k
Acknowledge	Enabled	Disabled	48k	24k
Acknowledge	Disabled	Enabled	19k	9.5k
Acknowledge	Enabled	Enabled	24k	12k

## 4. Configuring the AC4490

### 4.1 EEPROM PARAMETERS

A Host can program various parameters that are stored in EEPROM and become active after a power-on reset. **Table 7 - EEPROM Parameters**, gives the locations and descriptions of the parameters that can be read or written by a Host. Factory default values are also shown. **Do not write to any EEPROM addresses other than those listed below. Do not copy a transceiver's EEPROM data to another transceiver. Doing so may cause the transceiver to malfunction.**

**Table 8 – EEPROM Parameters**

Parameter	EEPROM Address	Length (Bytes)	Range	Default	Description
Product ID	00h	40			40 bytes - Product identifier string. Includes revision information for software and hardware.
Sub Hop Adjust	36h	1	0 – FFh	66h	This value should only be changed when recommended by Aerocomm.
Range Refresh	3Dh	1	1 – FFh	18h	This byte specifies the maximum amount of time a transceiver will report In Range without having heard a beacon (equal to hop period * value). Do not set to 0h.
Stop Bit Delay	3Fh	1	0 – FFh	FFh	For systems using the RS-485 interface or Parity Mode, the serial stop bit might come too early (especially at slower interface baud rates). Stop Bit Delay controls the width of the last bit before the stop bit occurs. FFh = Disable Stop Bit Delay (12us) 00h = (256 * 1.6us) + 12us 1 – FEh = (value * 1.6us) + 12us
Channel Number	40h	1	0 – 2Fh	AC4490-1x1: 00h AC4490-200: 00h AC4490-1000: 10h	Set 0 = 00 – 0Fh (US/Canada): AC4490-1x1/200 Set 1 = 10 – 2Fh (US/Canada): AC4490-1x1/200/1000 Set 2 = 30 – 37h (Australia): AC4490-1x1/200/1000 (US/Canada): AC4490-1x1/200
Server/Client Mode	41h	1	1 – 02h	02h	01h = Server 02h = Client
Baud Rate Low	42h	1	0 – FFh	FCh	Low Byte of the interface baud rate. Default baud rate is 57,600.
Baud Rate High	43h	1	00h	00h	Always 00h

## AC4490 Specifications

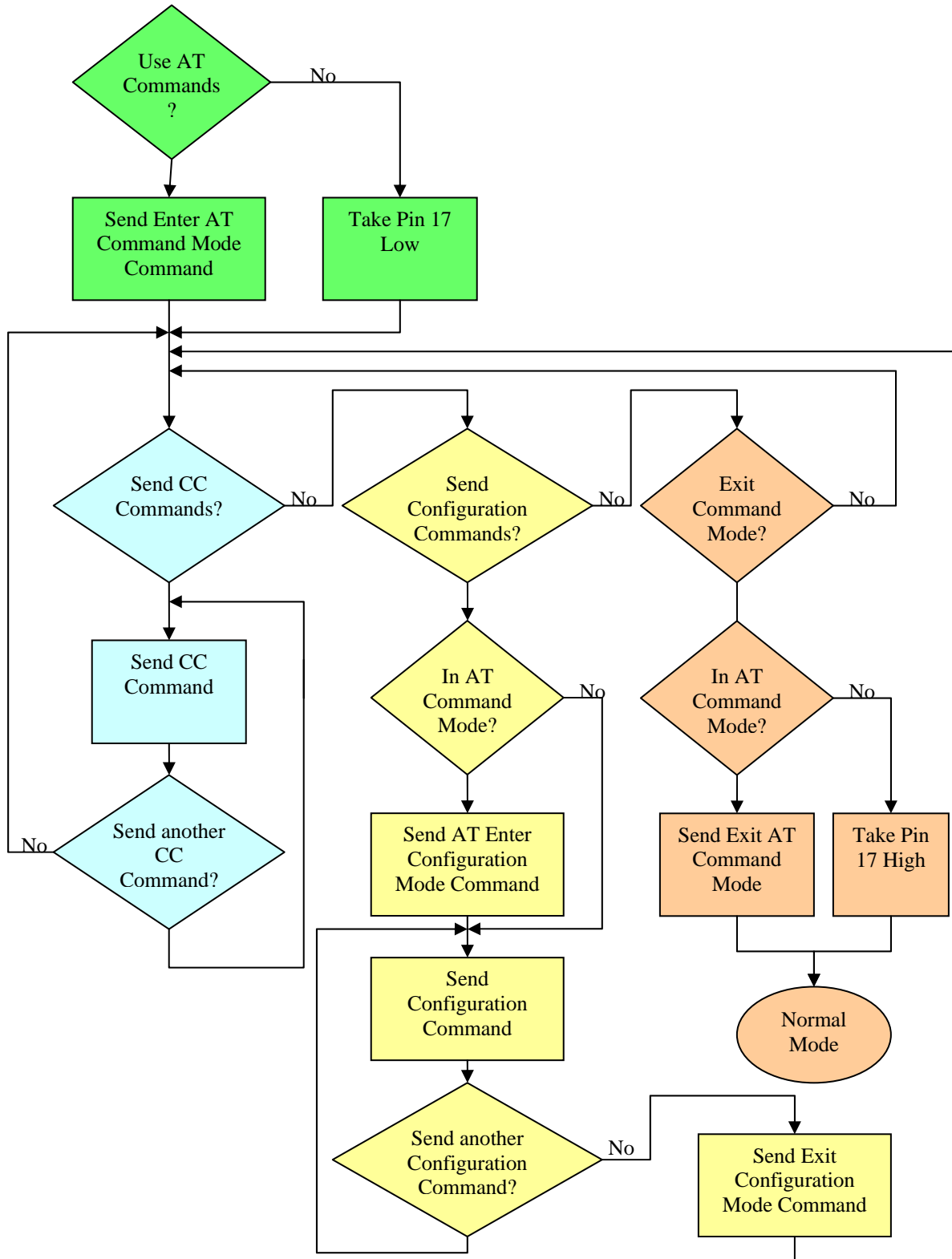
Parameter	EEPROM Address	Length (Bytes)	Range	Default	Description
Control 0	45h	1		00010100b (14h)	Settings are: Bit 7 – One Beacon Mode 0 = Beacon every hop 1 = Beacon once per hop cycle Bit 6 – DES Enable 0 = Disable Encryption 1 = Enable Data Encryption Bit 5 – Sync to Channel 0 = Don't Sync to Channel 1 = Sync to Channel Bit 4 – <b>AeroComm Use Only</b> Bit 3 – <b>AeroComm Use Only</b> Bit 2 – <b>AeroComm Use Only</b> Bit 1 – RF Delivery 0 = Addressed 1 = Broadcast Bit 0 – <b>AeroComm Use Only</b>
Frequency Offset	46h	1	0 – FFh	01h	Protocol parameter used in conjunction with Channel Number.
Transmit Retries	4Ch	1	1 – FFh	10h	Maximum number of times a packet is sent out in Addressed Acknowledge mode.
Broadcast Attempts	4Dh	1	1 – FFh	04h	Total number of times a packet is sent out in Broadcast Acknowledge mode.
API Control	56h	1		01000011b (43h)	Settings are: Bit 7 – <b>AeroComm Use Only</b> Bit 6 – <b>AeroComm Use Only</b> Bit 5 – Unicast Only 0 = Receive Addressed and Broadcast packets 1 = Only receive Addressed packets Bit 4 – Auto Destination 0 = Use Destination Address 1 = Automatically set Destination to Server Bit 3 – Client Auto Channel 0 = Use Programmed Channel 1 = Find Server on Any Channel Bit 2 – RTS Enable 0 = RTS Ignored 1 = Transceiver obeys RTS Bit 1 – Duplex Mode 0 = Half Duplex 1 = Full Duplex Bit 0 – Auto Config 0 = Use EEPROM values 1 = Auto Configure Values
Interface Timeout	58h	1	2 – FFh	04h	Specifies a byte gap timeout, used in conjunction with RF Packet Size, to determine when a packet is complete (0.5ms per increment).
Sync Channel	5Ah	1	0 – 36h	01h	Used to synchronize the hopping of collocated systems to minimize interference.



## AC4490 Specifications

Parameter	EEPROM Address	Length (Bytes)	Range	Default	Description
RF Packet Size	5Bh	1	1 – FFh	46h	Used in conjunction with Interface Timeout, specifies the maximum size of an RF packet.
CTS On	5Ch	1	1 – FFh	D2h	CTS will be deasserted (High) when the transmit buffer contains at least this many characters.
CTS On Hysteresis	5Dh	1	0 – FEh	Ach	Once CTS has been deasserted, CTS will be reasserted (Low) when the transmit buffer contains this many or less characters.
Max Power	63h	1	0 – 60h	Set in production and can vary	Used to increase or decrease transmit power output.
Modem Mode	6Eh	1	E3h, FFh	FFh	E3h = Enable Modem Mode FFh = Disable Modem Mode
Parity Mode	6Fh	1	E3h, FFh	FFh	E3h = Enable Parity Mode FFh = Disable Parity Mode <b>Note: Enabling Parity Mode cuts throughput in half and the Interface Buffer size in half.</b>
RS-485 DE	7Fh	1	E3h, FFh	FFh	E3h = GO0 is active High DE for control of external RS-485 hardware. FFh = Disable RS-485 DE mode
Destination ID	70h	6		FF, FF, FF, FF, FF, FFh	Specifies destination for RF packets.
System ID	76h	1	0 – FFh	01h	Similar to a network password.
MAC ID	80h	6			Factory programmed unique IEEE MAC Address.
Protocol Status/ Received Ack	C0h	1	E3h, FFh	FFh	E3h = GO0 outputs the Protocol Status and GO1 outputs the Received Acknowledgment signal FFh = Disable Protocol Status/Receive Ack
Receive API	C1h	1	E3h, FFh	FFh	E3h = The transceiver sends received data to the OEM Host prefaced by the API header FFh = Data is sent transparently to the OEM Host
Enhanced API Control	C6h	1		11111111b (FFh)	Settings are: Bit 7 – Enhanced API Control Enable 0 = Enable Enhanced API Control 1 = Disable Enhanced API Control Bit 6 – <b>AeroComm Use Only</b> Bit 5 – <b>AeroComm Use Only</b> Bit 4 – <b>AeroComm Use Only</b> Bit 3 – <b>AeroComm Use Only</b> Bit 2 – API Send Data Complete 0 = Disable API Send Data Complete 1 = Enable API Send Data Complete Bit 1 – Transmit API 0 = Disable Transmit API 1 = Enable Transmit API Bit 0 – Enhanced Receive API 0 = Disable Enhanced Receive API 1 = Enable Enhanced Receive API
DES Key	D0h	7	0 – FFh	0D, 1D, 2D, 3D, 4D, 5D, 6Dh	56 bit Data Encryption key

4.2 CONFIGURATION FLOW OF THE AC4490<sup>6</sup>



<sup>6</sup> Any mode can be exited by resetting the transceiver; however static changes will be lost.

## AC4490 Specifications

### 4.3 COMMAND QUICK REFERENCE

Below is a command reference and further information on each individual command can be found in the text following. It is strongly recommended that all the information be read on each command prior to using as some commands have caveats.

Command Name	Command (All Bytes in Hex)						Return (All Bytes in Hex)					
EEPROM Byte Read	C0h	Starting Address	Length (0 : 256 bytes)		-		C0h	Starting Address	Length	Data at those addresses		
EEPROM Byte Write	C1h	Starting Address	Length (1 – 80h)		Data bytes to be written		C1h	Starting Address	Length	Data written to last byte		
EEPROM Exit Configuration Mode	56h	-	-		-		56h	-	-	-		
AT Enter Command Mode	41h	54h	2Bh	2Bh	2Bh	0Dh	CCh	43h	4Fh	4Dh		
AT Enter Configuration Mode	CCh	65h	-		-		65h	-	-	-		
Exit AT Command Mode	CCh	41h	54h		4Fh	0Dh	CCh	44h	41h	54h		
Status Request	CCh	00h	00h		-		CCh	Firmware Version	00h: Server In Range 01h: Client In Range 02h: Server Out of Range 03h: Client Out of Range			
Change Channel with Forced Acquisition	CCh	02h	New Channel		-		CCh	New Channel	-	-		
Change Server/Client Type	CCh	03h	00h: Server 03h: Client		-		CCh	Firmware Version	00h: Server 03h: Client			
Change Sync Channel	CCh	05h	New Sync Channel		-		CCh	New Sync Channel	-	-		
Sleep Walk Power-Down	CCh	06h	-		-		CCh	Channel	-	-		
Sleep Walk Wake-Up	CCh	07h	-		-		CCh	Channel	-	-		
Broadcast	CCh	08h	00h: Addressed 01h: Broadcast		-		CCh	00h or 01h	-	-		
Write Destination Address	CCh	10h	Byte 4 of destination's MAC		Byte 5	Byte 6	CCh	Byte 4 of destination's MAC	Byte 5	Byte 6		
Read Destination Address	CCh	11h	-		-		CCh	Byte 4 of destination's MAC	Byte 5	Byte 6		
Auto Channel/Auto Destination	CCh	15h	Bit 0 : Auto Destination Bit 1 : Auto Channel Bit 4 : Enable Auto Destination Bit 5 : Enable Auto Channel				CCh	Bit 0 : Auto Destination Bit 1 : Auto Channel Bits 2 – 7: 0				
Read Digital Inputs	CCh	20h	-		-		CCh	Bit 0 : GI0 Bit 1 : GI1	-	-		

## AC4490 Specifications

Command Name	Command (All Bytes in Hex)				Return (All Bytes in Hex)				
Read ADC	CCh	21h	00h: AD In 01h: Temp 02h: RSSI		-	CCh	MSB of 10 bit ADC	LSB of 10 bit ADC	-
Report Last Valid RSSI	CCh	22h	-		-	CCh	RSSI	-	-
Write Digital Outputs	CCh	23h	Bit 0 : GO0 Bit 1 : GO1		-	CCh	Bit 0 : GO0 Bit 1 : GO1	-	-
Write DAC	CCh	24h	Update Period	Duty Cycle	CCh	Update Period	Duty Cycle	-	
Set Max Power	CCh	25h	New Setting		-	CCh	New Setting	-	-
Report Last Packet RSSI	CCh	26h	-		-	CCh	RSSI	-	-
Transmit Buffer Empty	CCh	30h	-		-	CCh	00h	-	-
Disable Sync-to-Channel	CCh	85h	-		-	CCh	Channel	-	-
Deep Sleep Mode	CCh	86h	-		-	CCh	Channel	-	-
Read Temperature	CCh	A4h	-		-	CCh	Temp (°C)	-	-
EEPROM Byte Read	CCh	C0h	Starting Address	Length (0 : 256 bytes)	C0h	Starting Address	Length	Data at those addresses	
EEPROM Byte Write	CCh	C1h	Starting Address	Length (1 – 80h)	Data bytes to be written	C1h	Starting Address	Length	Data written to last byte
Soft Reset	CCh	FFh	-		-	-	-	-	-

### **4.4 EEPROM CONFIGURATION COMMANDS**

The configuration commands allow the Host to modify the operation of the transceiver. If the transceiver is in Command mode (Command/Data pin (Pin 17) is pulled logic Low or the Enter AT Command mode and AT Enter Configuration mode commands have been sent to the transceiver), the transceiver will interpret incoming Host data as Command Data. The Host can then read and write parameters using the various configuration commands listed below. To exit Configuration Mode, the Host must perform a hardware or power-on reset or issue an Exit Command Mode command to the transceiver. While in Configuration Mode, the RF circuitry will be disabled.

#### ***4.4.1 EEPROM Byte Read***

Upon receiving this command, a transceiver will respond with the desired data from the address requested by the Host.

**Host Command:**

Byte 1 = C0h  
Byte 2 = Address  
Byte 3 = Length (01...FFh = 1...255 bytes; 00h = 256 bytes)

**Transceiver Response:**

Byte 1 = C0h  
Byte 2 = Address  
Byte 3 = Length  
Byte 4...n = Data at requested address(s)

#### ***4.4.2 EEPROM Byte Write***

Upon receiving this command, a transceiver will write the data byte to the address specified but will not echo it back to the Host until the EEPROM write cycle is complete. The write can take as long as 10ms to complete. Following the write cycle, a transceiver will transmit the data byte to the Host. Multiple byte EEPROM writes are allowed up to a length of 128 bytes. An EEPROM boundary exists between addresses 7Fh and 80h. No single EEPROM write command shall write to addresses on both sides of that EEPROM boundary. **Note: The EEPROM has an endurance of 20,000 write cycles. Every EEPROM Write command issued (regardless of address) constitutes a write cycle.**

**Host Command:**

Byte 1 = C1h  
Byte 2 = Address  
Byte 3 = Length (01 – 80h)  
Byte 4...n = Data to store at Address

**Transceiver Response:**

Byte 1 = C1h  
Byte 2 = Address  
Byte 3 = Length (01 – 80h)  
Byte 4 = Last data byte written by this command

**Warning: It is recommended that you perform a read before you issue the write command to verify that the byte requires writing to avoid unnecessary writes. It is**

## ***AC4490 Specifications***

---

possible while performing an EEPROM write without a stable power supply that the EEPROM can become corrupted, rendering the radio inoperable.

### ***4.4.3 EEPROM Exit Configuration Mode Command***

The OEM Host can cause the transceiver to exit Configuration Mode by issuing the Exit Configuration Mode command to the transceiver. **However, the transceiver will not reflect any of the changes programmed into the EEPROM until the transceiver is reset.**

**Host Command:**

Byte 1 = 56h

**Transceiver Response:**

Byte 1 = 56h

## **4.5 AC4490 AT COMMANDS**

The AT Command mode implemented in AC4490 firmware version 3.2 and higher creates a virtual version of the Command/Data line. The Enter AT Command mode command asserts this virtual line Low (to signify Command mode) and the Exit AT Command mode command asserts this virtual line High (to signify Data mode). Once this line has been asserted Low, all on-the-fly CC Commands documented in the manual are supported.

When in AT Command mode, the transceiver will maintain synchronization with the network, but RF packets will not be received. However, an ambiguity of approximately 10ms exists where, if the Enter AT Command mode command has been sent to the transceiver at the same time an RF packet is being received, the RF packet could be sent to the OEM Host before the Enter AT Command mode command response is sent to the host.

### ***4.5.1 Enter AT Command Mode***

Prior to sending the Enter AT Command mode command to the transceiver, the host must ensure that the RF transmit buffer of the transceiver is empty (if the buffer is not empty, the Enter AT Command Mode command will be interpreted as packet data and transmitted out over the RF). This can be accomplished by waiting up to one second between the last transmit packet and the AT Command. The host must also ensure that the Fixed Packet Length for the transceiver is set to a minimum of six. The Enter AT Command Mode command is as follows:

**Host Command:**

AT+++↵

**Hexadecimal Representation of the Command:**

41h, 54h, 2Bh, 2Bh, 2Bh, 0Dh

**Transceiver Response:**

CCh COM

**Hexadecimal Representation of the Command:**

CCh, 43h, 4Fh, 4Dh

### ***4.5.2 AT Enter Configuration Mode***

In order to send configuration commands via AT Command mode, Configuration mode must be entered. Once in Configuration mode, standard configuration commands can be sent to the transceiver including the Exit Configuration Mode command. Upon sending the Exit Configuration mode command, the transceiver will return to AT Command mode. When in AT Command mode, Configuration mode can be entered by sending the following command to the transceiver:

**Host Command:**

CCh 65h

**Transceiver Response:**

65h

### ***4.5.3 Exit AT Command Mode***

To exit AT Command mode, the OEM host should send the following command to the transceiver:

**Host Command:**

CCh ATO␣

**Hexadecimal Representation of the Command:**

CCh, 41h, 54h, 4Fh, 0Dh

**Transceiver Response:**

CCh DAT

**Hexadecimal Representation of the Command:**

CCh, 44h, 41h, 54h

## **4.6 ON-THE-FLY CONTROL COMMANDS (CC COMMAND MODE)**

The AC4490 transceiver contains static memory that holds many of the parameters that control the transceiver operation. Using the "CC" command set allows many of these parameters to be changed during system operation. Because the memory these commands affect is static, when the transceiver is reset, these parameters will revert back to the settings stored in the EEPROM. **Note: All "CC" commands must be issued from the Host to the transceiver with Command/Data (Pin 17) pulled logic Low. To exit "CC" mode, simply take the Command/Data pin High.**

While in CC Command mode (using pin 17, Command/Data), the RF interface of the transceiver is still active. Therefore, it can receive packets from remote transceivers while in CC Command mode and forwards these to the OEM Host. While in CC Command mode (using AT Commands), the RF interface of the transceiver is active, but packets sent from other transceivers will not be received. The transceiver uses **Interface Timeout/Fixed Packet Length** to determine when a CC Command is complete. Therefore, there should be no delay between each character as it is sent from the OEM Host to the transceiver or the transceiver will not recognize the command and will enter Configuration Mode by default. If the OEM Host has sent a CC Command to the transceiver and a RF packet is received by the transceiver, the transceiver will send the CC Command response to the OEM Host before sending the packet. However, if a RF packet is received before the Interface Timeout expires on a CC Command, the transceiver will send the packet to the host before sending the CC Command response.

### ***4.6.1 Status Request***

The Host issues this command to request the status of the transceiver.

**Host Command:**

Byte 1 = CCh  
Byte 2 = 00h  
Byte 3 = 00h

**Transceiver Response:**

Byte 1 = CCh  
Byte 2 = Firmware version number  
Byte 3 = Data1

**Where:**

Data1 =  
00 for Server in Normal Operation  
01 for Client in Normal Operation  
02 for Server in Acquisition Sync  
03 for Client in Acquisition Sync

### ***4.6.2 Change Channel without Forced Acquisition Sync***

The Host issues this command to change the channel of the transceiver. The transceiver will not begin acquisition sync until its Range Refresh timer expires; therefore it is recommended that the host uses the Change Channel with Forced Acquisition Sync Command.

**Host Command:**

Byte 1 = CCh  
Byte 2 = 01h  
Byte 3 = RF Channel Number (Hexadecimal)

**Transceiver Response:**

Byte 1 = CCh  
Byte 2 = RF Channel Number (Hexadecimal)

### ***4.6.3 Change Channel with Forced Acquisition Sync***

The Host issues this command to change the channel of the transceiver and force the transceiver to immediately begin synchronization.

**Host Command:**

Byte 1 = CCh  
Byte 2 = 02h  
Byte 3 = RF Channel Number (Hexadecimal)

**Transceiver Response:**

Byte 1 = CCh  
Byte 2 = RF Channel Number (Hexadecimal)

### ***4.6.4 Server/Client Command***

The Host issues this command to change the mode (Server or Client) of the transceiver and can force the transceiver to actively begin synchronization. The transceiver will not begin acquisition sync until its



## ***AC4490 Specifications***

---

Range Refresh timer expires; therefore it is recommended that the host uses the commands which force acquisition sync.

### **Host Command:**

Byte 1 = CCh  
Byte 2 = 03h  
Byte 3 = Data1

### **Where:**

Data1 =  
00h: Server  
03h: Client

### **Transceiver Response:**

Byte 1 = CCh  
Byte 2 = Software Version Number  
Byte 3 = Data1

### **Where:**

Data1 = Data1 from Host Command

## ***4.6.5 Sync to Channel Command***

The Host issues this command to change the **Sync Channel** byte and enable **Sync to Channel**.

### **Host Command:**

Byte 1 = CCh  
Byte 2 = 05h  
Byte 3 = Data1

### **Where:**

Data1 = New Sync Channel

### **Transceiver Response:**

Byte 1 = CCh  
Byte 2 = 05h  
Byte 3 = Data1

### **Where:**

Data1 = Data1 from Host Command

## ***4.6.6 Sleep Walk Power-Down Command***

After the Host issues the power-down command to the transceiver, the transceiver will de-assert the In\_Range line after entering power-down. A Client transceiver in power-down will remain in sync with a Server for a minimum of 2 minutes. To maintain synchronization with the Server, this Client transceiver should re-sync to the Server at least once every 2 minutes. This re-sync is accomplished by issuing the **Power-Down Wake-Up Command** and waiting for the In Range line to go active. Once this occurs, the Client transceiver is in sync with the Server and can be put back into power-down. This command is only valid for Client transceivers.

### **Host Command:**

Byte 1 = CCh  
Byte 2 = 06h

## ***AC4490 Specifications***

---

### **Transceiver Response:**

Byte 1 = CCh  
Byte 2 = RF Channel Number

### ***4.6.7 Sleep Walk Power-Down Wake-Up Command***

The Power-Down Wake-Up Command is issued by the Host to bring the transceiver out of power-down mode.

### **Host Command:**

Byte 1 = CCh  
Byte 2 = 07h

### **Transceiver Response:**

Byte 1 = CCh  
Byte 2 = RF Channel Number

### ***4.6.8 Broadcast Mode***

The Host issues this command to change the transceiver operation between **Addressed Mode** and **Broadcast Mode**. If addressed mode is selected the transceiver will send all packets to the transceiver designated by the **Destination Address** programmed in the transceiver. If Broadcast mode is selected, the transceiver will send its packets to all transceivers on that network.

### **Host Command:**

Byte 1 = CCh  
Byte 2 = 08h  
Byte 3 = 00 for addressed mode, 01 for broadcast mode

### **Transceiver Response:**

Byte 1 = CCh  
Byte 2 = 00 for addressed mode, 01 for broadcast mode

### ***4.6.9 Write Destination Address***

The Host issues this command to the transceiver to change the Destination Address. This is a **very powerful** command that provides the OEM Host with a means for ad-hoc networking. **Only the three Least Significant Bytes of the MAC Address are used for packet delivery.**

### **Host Command:**

Byte 1 = CCh  
Byte 2 = 10h  
Bytes 3 – 5 = 00 – FFh corresponding the three LSB's of the destination MAC Address

### **Transceiver Response:**

Byte 1 = CCh  
Bytes 2 – 4 = 00 – FFh corresponding the three LSB's of the destination MAC Address

### ***4.6.10 Read Destination Address***

The Host issues this command to the transceiver to read the Destination Address. This is a **very powerful** command that provides the OEM Host with a means for ad-hoc networking. **Only the three Least Significant Bytes of the MAC Address are used for packet delivery.**

## ***AC4490 Specifications***

---

### **Host Command:**

Byte 1 = CCh  
Byte 2 = 11h

### **Transceiver Response:**

Byte 1 = CCh  
Bytes 2 – 4 = 00 – FFh corresponding the three LSB's of the destination MAC Address

### ***4.6.11 Auto Channel / Auto Destination***

The Host issues this command to change the settings for Auto Channel and Auto Destination. When issuing this command, the Auto Destination and/or Auto Channel settings will only be changed if the corresponding enable bit is set.

### **Host Command:**

Byte 1 = CCh  
Byte 2 = 15h  
Byte 3 = Data1

### **Where:**

Data1 =  
Bit 0: Auto Destination  
Bit 1: Auto Channel  
Bit 4: Enable Auto Destination Modification  
Bit 5: Enable Auto Channel Modification

### **Transceiver Response:**

Byte 1 = CCh  
Byte 2 = Data1

### **Where:**

Data1 =  
Bit 0: New Auto Destination Setting  
Bit 1: New Auto Channel Setting  
Bits 2 – 7: 0

### ***4.6.12 Read Digital Inputs***

The Host issues this command to read the state of both digital input lines.

### **Host Command:**

Byte 1 = CCh  
Byte 2 = 20h

### **Transceiver Response:**

Byte 1 = CCh  
Byte 2 = Data1

### **Where:**

Data1 = bit 0 – GI0, bit 1 – GI1

### **4.6.13 Read ADC**

The Host issues this command to read any of the three 10 bit onboard A/D converters. Because the RF is still active in on-the-fly mode, the transceiver will not process the command until there is no activity on the network. **Therefore, the Read RSSI command is useful for detecting interfering sources but will not report the RSSI seen from a remote transceiver on the network.** The equations for converting these 10 bits into analog values are as follows:

$$\text{Analog Voltage} = (10 \text{ bits} / 3\text{FFh}) * 3.3\text{V}$$

$$\text{Temperature (}^\circ\text{C)} = ((\text{Analog Voltage} - 0.3) / 0.01) - 30$$

$$\text{RSSI Value (dBm)} = -105 + (0.22 * (3\text{FFh} - 10 \text{ bits}))$$

**Host Command:**

Byte 1 = CCh  
Byte 2 = 21h  
Byte 3 = Data1

**Where:**

Data1 = 00h – AD In, 01h – Temperature, 02h – RSSI

**Transceiver Response:**

Byte 1 = CCh  
Byte 2 = Data1  
Byte 3 = Data2

**Where:**

Data1 = MSB of requested 10 bit ADC value  
Data2 = LSB of requested 10 bit ADC value

### **4.6.14 Report Last Valid RSSI**

As RSSI values are only valid when the local transceiver is receiving a RF packet from a remote transceiver, instantaneous RSSI can be very tricky to use. Therefore, the transceiver stores the most recent valid RSSI value as measured the last time the transceiver received a packet or a beacon. The Host issues this command to request that value. Note: This value will default to FFh on a Client and 00h on a Server if no valid RSSI measurement has been made since power-up. The Host issues this command to read the last valid RSSI:

**Host Command:**

Byte 1 = CCh  
Byte 2 = 22h

**Transceiver Response:**

Byte 1 = CCh  
Byte 2 = Data1

**Where:**

Data1 = Most significant 8 bits of last valid RSSI reading.

## AC4490 Specifications

---

Signal Strength (dBm)	Approximate RSSI Value (hex)
4	0E
-2 to 1	0D
-12 to -6	0C
-36 to -22	0B
-42 to -39	0C
-46	0D
-49	0E
-52	11
-56	17
-59	1C
-62	2B
-66	40
-69	55
-72	62
-76	71
-79	78
-82	84
-86	9A
-89	AD
-92	BD

Note: Notice the trend between 4dBm and -12dBm does not follow the curve. This is because RSSI becomes saturated at signal levels above -40dBm.

### 4.6.15 Write Digital Outputs

The Host issues this command to write both digital output lines to particular states.

**Host Command:**

Byte 1 = CCh  
Byte 2 = 23h  
Byte 3 = Data1

**Where:**

Data1 = bit 0 – GO0, bit 1 – GO1

**Transceiver Response:**

Byte 1 = CCh  
Byte 2 = Data1

**Where:**

Data1 = Data1 from Host command

### 4.6.16 Write DAC

The Host issues this command to write DA Out to a particular voltage. NOTE: DA Out is an unbuffered, high impedance output and **must be buffered** by the OEM Host when used. The transceiver uses a PWM (Pulse Width Modulator) to generate the analog voltage. The theory behind PWM is that a binary pulse is generated with a fixed duty cycle and rate. As such, this pin toggles

## ***AC4490 Specifications***

---

between High and Low. This signal is filtered via an onboard R-C circuit and an analog voltage is generated. Duty Cycle specifies the ratio of time in one cycle that the pulse spends High proportionate to the amount of time it spends Low. So, with a duty cycle of 50% (80h), the pulse is High 50% of the time and Low 50% of the time; therefore the analog voltage would be half of 3.3V or 1.15V. A broad filter has been implemented on the transceiver and there is no advantage to using a slower update period. Generally, a faster update period is preferred.

### **Host Command:**

Byte 1 = CCh  
Byte 2 = 24h  
Byte 3 = Data1  
Byte 4 = Data2

### **Where:**

Data1 = Update Period where:  $T_{\text{Update}} = (255 * (\text{Data1} + 1)) / 14.7256^{+06}$   
Data2 = Duty Cycle where:  $V_{\text{out}} = (\text{Data2} / \text{FFh}) * 3.3\text{V}$

### **Transceiver Response:**

Byte 1 = CCh  
Byte 2 = Data1  
Byte 3 = Data2

### **Where:**

Data1 = Data1 from Host Command  
Data2 = Data2 from Host Command

## ***4.6.17 Set Max Power***

The Host Issues this command to limit the maximum transmit power emitted by the transceiver. This can be useful to minimize current consumption and satisfy certain regulatory requirements. The transceivers are factory configured to their maximum agency allowable

### **Host Command:**

Byte 1 = CCh  
Byte 2 = 25h  
Byte 3 = Data1

### **Where:**

Data1 = New **Max Power**

### **Transceiver Response:**

Byte 1 = CCh  
Byte 2 = Data1

### **Where:**

Data1 = Data1 from Host Command

## ***4.6.18 Transmit Buffer Empty***

The Host issues this command to determine when the RF Transmit buffer is empty. The Host will not receive the transceiver response until that time.

### **Host Command:**

Byte 1 = CCh  
Byte 2 = 30h

**Transceiver Response:**

Byte 1 = CCh  
Byte 2 = 00h

### ***4.6.19 Disable Sync to Channel***

The Host issues this command to disable Sync to Channel mode.

**Host Command:**

Byte 1 = CCh  
Byte 2 = 85h

**Transceiver Response:**

Byte 1 = CCh  
Byte 2 = RF Channel Number

### ***4.6.20 Deep Sleep Mode***

The Host issues this command to put the transceiver into Deep Sleep mode. Once in Deep Sleep, the transceiver disables all RF communications and will not respond to any further commands until being reset or power cycled. This command is valid for both Servers and Clients.

**Host Command:**

Byte 1 = CCh  
Byte 2 = 86h

**Transceiver Response:**

Byte 1 = CCh  
Byte 2 = RF Channel Number

### ***4.6.21 Read Temperature***

The Host issues this command to read the onboard temperature sensor. The transceiver reports the temperature in °C where 0 – 80h corresponds to 0 – 80°C and where D8 – 0h corresponds to -40 – 0°C.

**Host Command:**

Byte 1 = CCh  
Byte 2 = A4h

**Transceiver Response:**

Byte 1 = CCh  
Byte 2 = Data1

**Where:**

Data1 = D8 – 80h

### ***4.6.22 EEPROM Byte Read***

Upon receiving this command, a transceiver will respond with the desired data from the address requested by the Host.

## ***AC4490 Specifications***

---

### **Host Command:**

Byte 1 = CCh  
Byte 2 = C0h  
Byte 3 = Address  
Byte 4 = Length (01...FFh = 1...255 bytes; 00h = 256 bytes)

### **Transceiver Response:**

Byte 1 = CCh  
Byte 2 = Address  
Byte 3 = Length  
Byte 4...n = Data at requested address(s)

### **4.6.23 EEPROM Byte Write**

Upon receiving this command, a transceiver will write the data byte to the address specified but will not echo it back to the Host until the EEPROM write cycle is complete. The write can take as long as 10ms to complete. Following the write cycle, a transceiver will transmit the data byte to the Host. Multiple byte EEPROM writes are allowed up to a length of 128 bytes. An EEPROM boundary exists between addresses 7Fh and 80h. No single EEPROM write command shall write to addresses on both sides of that EEPROM boundary. **Note: The EEPROM has an endurance of 20,000 write cycles. Every EEPROM Write command issued (regardless of address) constitutes a write cycle.**

### **Host Command:**

Byte 1 = CCh  
Byte 2 = C1h  
Byte 3 = Address  
Byte 4 = Length (01 – 80h)  
Byte 5...n = Data to store at Address

### **Transceiver Response:**

Byte 1 = Address  
Byte 2 = Length (01 – 80h)  
Byte 3 = Last data byte written by this command

**Warning: It is recommended that you perform a read before you issue the write command to verify that the byte requires writing to avoid unnecessary writes. It is possible while performing an EEPROM write without a stable power supply that the EEPROM can become corrupted, rendering the radio inoperable.**

### **4.6.24 Reset Command**

The Host issues this command to perform a soft reset of the transceiver. Any transceiver settings modified by CC Commands will be overwritten by values stored in the EEPROM.

### **Host Command:**

Byte 1 = CCh  
Byte 2 = FFh

### **Transceiver Response:**

There is no response from the transceiver



## **5. Theory of Operation**

### **5.1 HARDWARE INTERFACE**

Below is a description of all hardware pins used to control the AC4490.

#### ***5.1.1 GIn (Generic Inputs 0 and 1) (pins 4 and 14 respectively) and GOn (Generic Outputs 0 and 1) (pins 1 and 9 respectively)***

Both GIn pins serve as generic input pins. Both GOn pins serve as generic output pins. Reading and writing of these pins can be performed using CC Commands (details can be found in the ***On-the-Fly Control Command Reference***). These pins alternately serve as control pins when Modem Mode is enabled in the EEPROM.

#### ***5.1.2 TXD (Transmit Data) and RXD (Receive Data) (pins 2 and 3 respectively)***

##### **Serial TTL**

The AC4490 accepts 3.3 or 5VDC TTL level asynchronous serial data (the 500mW/ 1000mW transceiver ONLY accepts 3.3V level signals) on the RXD pin and interprets that data as either Command Data or Transmit Data. Data is sent from the transceiver, at 3.3V levels, to the OEM Host via the TXD pin.

##### **RS-485**

When equipped with an onboard RS-485 interface chip, TXD and RXD become the half duplex RS-485 pins. In this mode, the transceiver will be in listen mode except when it has data to send to the OEM host. TXD is the noninverted representation of the data (RS485A) and RXD is a mirror image of TXD (RS485B). The transceiver will still use RTS (if enabled) in this mode.

#### ***5.1.3 Hop Frame (pin 6)***

The AC4490 is a frequency hopping spread spectrum transceiver. Frequency hopping allows the system to hop around interference in order to provide a better wireless link. Hop Frame transitions logic Low at the start of a hop and transitions logic High at the completion of a hop. The OEM Host is not required to monitor Hop Frame.

### ***5.1.4 CTS Handshaking (pin 7)***

The AC4490 has an interface buffer size of 256 bytes. If the buffer fills up and more bytes are sent to the transceiver before the buffer can be emptied, data loss will occur. The transceiver prevents this loss by asserting CTS High as the buffer fills up and taking CTS Low as the buffer is emptied. **CTS On** in conjunction with **CTS On Hysteresis** control the operation of CTS. CTS On specifies the amount of bytes that must be in the buffer for CTS to be disabled (High). Even while CTS is disabled, the OEM Host can still send data to the transceiver, but it should do so carefully. Once CTS is disabled, it will remain disabled until the buffer is reduced to the size specified by CTS On Hysteresis.

### ***5.1.5 RTS Handshaking (pin 8)***

With **RTS Mode** disabled, the transceiver will send any received packet to the OEM Host as soon as the packet is received. However, some OEM Hosts are not able to accept data from the transceiver all of the time. With RTS Mode Enabled, the OEM Host can keep the transceiver from sending it a packet by disabling RTS (logic High). Once RTS is enabled (logic Low), the transceiver can send packets to the OEM Host as they are received. **Note: Leaving RTS disabled for too long can cause data loss once the transceiver's 256 byte receive buffer fills up.**

### ***5.1.6 9600 Baud (pin 12)***

**9600\_BAUD** – When pulled logic Low before applying power or resetting, the transceiver's serial interface is forced to a 9600, 8-N-1 (8 data bits, No parity, 1 stop bit) rate. To exit, the transceiver must be reset or power-cycled with 9600\_Baud logic High. This pin is used to recover transceivers from unknown baud rates only. It should not be used in normal operation. Instead the transceiver Interface Baud Rate should be programmed to 9600 baud if that rate is desired for normal operation.

### ***5.1.7 RSSI (pin 13)***

#### **Instantaneous RSSI**

Received Signal Strength Indicator is used by the Host as an indication of instantaneous signal strength at the receiver. The Host must calibrate RSSI without a RF signal being presented to the receiver. Calibration is accomplished by following the steps listed below.

1. **Power up only one Client (no Server) transceiver in the coverage area.**
2. **Measure the RSSI signal to obtain the minimum value with no other signal present.**
3. **Power up a Server. Make sure the two transceivers separated by approximately ten feet and measure the Client's peak RSSI, once the Client reports In Range, to obtain a maximum value at full signal strength.**

## AC4490 Specifications

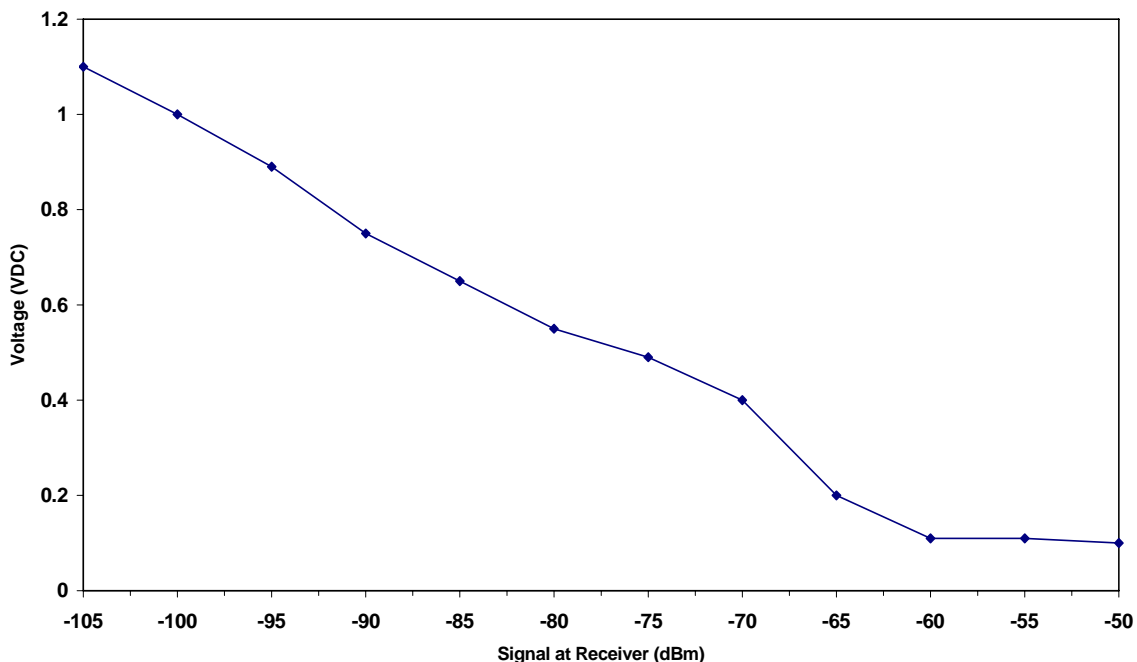
---

### Validated RSSI

As RSSI values are only valid when the local transceiver is receiving a RF packet from a remote transceiver, instantaneous RSSI can be very tricky to use. Therefore, the transceiver stores the most recent valid RSSI value. The Host issues the **Report Last Good RSSI** command to request that value (details can be found in the **On-the-Fly Control Command Reference**). Validated RSSI is not available at the RSSI pin. The following equation approximates the RSSI curve:

$$\text{Signal Strength (dBm)} = (-46.9 * V_{\text{RSSI}}) - 53.9$$

Figure 1 – RSSI Voltage vs. Received Signal Strength



### 5.1.8 UP\_Reset (pin 15)

UP\_Reset provides a direct connection to the reset pin on the AC4490 microprocessor and is used to force a soft reset. For a valid reset, reset must be High for a minimum of 10ms.

### 5.1.9 Command/Data (pin 17)

When logic High, the transceiver interprets incoming Host data as transmit data to be sent to other transceivers and their Hosts. When logic Low, the transceiver interprets Host data as command data (see section 4).

## ***AC4490 Specifications***

---

### ***5.1.10 AD In and DA Out (pins 18 and 19 respectively)***

AD In and DA Out can be used as a cost savings to replace Analog-to-Digital and Digital-to-Analog converter hardware. Reading and writing of these two pins locally can be performed using commands found in the ***On-the-Fly Control Command Reference***. Note: DA Out is an unbuffered, high impedance output and **must be buffered** by the OEM Host when used.

### ***5.1.11 In Range (pin 20)***

The IN\_RANGE pin at the connector will be driven logic Low when a Client is in range of a Server on the same **RF Channel** and **System ID**. If a Client cannot hear a Server for the amount of time specified by **Range Refresh**, it will drive the IN\_RANGE pin logic High and enter a search mode looking for a Server. As soon as it detects a Server, the IN\_RANGE pin will be driven logic Low. A Server Host can determine which Clients are in range by the Server's Host software polling a Client's Host. IN\_RANGE will always be Low on the Server.

## **5.2 SOFTWARE PARAMETERS**

Following is a description of all software parameters used to control the AC4490.

### ***5.2.1 RF Architecture (Unicast/Broadcast)***

The Server controls the system timing by sending out regular beacons (transparent to the transceiver Host) which contain system timing information. This timing information synchronizes the Client transceivers to the Server.

Each network should consist of only one Server. There should never be two Servers on the same **RF Channel Number** in the same coverage area as the interference between the two Servers will severely hinder RF communications.

The AC4490 runs a Peer-to-Peer type architecture where all transceivers, whether Servers or Clients, can communicate with all other transceivers. To prohibit transceivers from receiving broadcast packets, **Unicast Only** can be enabled.

### ***5.2.2 RF Mode***

**All transceivers located on the same network must use the same RF Mode.**

#### **RF Delivery Overview**

All packets are sent out over the RF as either addressed or broadcast packets. Addressed packets are only received by the transceiver specified by **Destination Address**. If addressed packets are desired, the Destination Address should be programmed with the **MAC ID** of the destination transceiver. To simplify EEPROM programming, **Auto Destination** can be enabled in Clients which allows the Client to automatically set its Destination Address to the address of the Server. Broadcast packets are sent out to every eligible transceiver on the network. If broadcast packets are desired, **RF Delivery** should be set to Broadcast.

## ***AC4490 Specifications***

---

### **Acknowledge Mode**

In Addressed Acknowledge Mode, the RF packet is sent out to the receiver designated by the **Destination Address**. **Transmit Retries** is used to increase the odds of successful delivery to the intended receiver. Transparent to the OEM Host, the sending transceiver will send the RF packet to the intended receiver. If the receiver receives the packet free of errors, it will tell the sender. If the sender does not receive this acknowledge, it will assume the packet was never received and retry the packet. This will go on until the packet is successfully received or the transmitter exhausts all of its retries. The received packet will only be sent to the OEM Host if and when it is received free of errors.

In Broadcast Acknowledge Mode, the RF packet is broadcast out to all eligible receivers on the network. **Broadcast Attempts** is used to increase the odds of successful delivery to the intended receiver(s). Transparent to the OEM Host, the sending transceiver will send the RF packet to the intended receiver. If the receiver detects a packet error, it will throw out the packet. This will go on until the packet is successfully received or the transmitter exhausts all of its attempts. Once the receiver successfully receives the packet it will send the packet to the OEM Host. It will throw out any duplicates caused by further Broadcast Attempts. The received packet will only be sent to the OEM Host if it is received free of errors.

### ***5.2.3 Sub Hop Adjust***

Sub Hop Adjust is an AC4490 protocol parameter and should only be modified at the recommendation of Aerocomm.

### ***5.2.4 Duplex Mode***

In Half Duplex mode, the AC4490 will send a packet out over the RF when it can. This can cause packets sent at the same time by a Server and a Client to collide with each other over the RF. To prevent this, Full Duplex Mode can be enabled. This mode restricts Clients to transmitting on odd numbered frequency "bins" and the Server to transmitting on even frequency bins. Though the RF hardware is still technically half duplex, it makes the transceiver seem full duplex. This can cause overall throughputs to be cut in half. **Note: All transceivers on the same network must have the same setting for Full Duplex.**

### ***5.2.5 Interface Timeout/RF Packet Size***

**Interface Timeout**, in conjunction with **RF Packet Size**, determines when a buffer of data will be sent out over the RF as a complete RF packet based on whichever condition occurs first.

**Interface Timeout** – Interface Timeout specifies a maximum byte gap between consecutive bytes. When that byte gap is exceeded, the bytes in the transmit buffer are sent out over the RF as a complete packet. Interface timeout is adjustable in 0.5ms increments and has a tolerance of  $\pm 0.5$ ms. Therefore, the Interface Timeout should be set to a minimum of 2. The default value for Interface Timeout is 4 or 2ms.

**RF Packet Size** – When the number of bytes in the transceiver transmit buffer equals RF Packet Size, those bytes are sent out as a complete RF packet. Every packet the transceiver sends over the RF contains extra header bytes not counted in the RF Packet Size. Therefore, it is much more efficient to send a few large packets than to send many short packets. However, if RF Packet size is set too large

## AC4490 Specifications

and Acknowledge Mode is enabled, the transceiver will not be able to send any packets because Acknowledge Mode requires the entire RF packet to be sent in the same hop.

### 5.2.6 Serial Interface Baud Rate

This two-byte value determines the baud rate used for communicating over the serial interface to a transceiver. **Table 8 - Baud Rate/Timeout** lists values for some common baud rates. Baud rates below 1200 baud are not supported. For a baud rate to be valid, the calculated baud rate must be within  $\pm 3\%$  of the OEM Host baud rate. **If the 9600 BAUD pin (Pin 12) is pulled logic Low at reset, the baud rate will be forced to 9,600.** For Baud Rate values other than those shown in **Table 5 - Baud Rate**, the following equation can be used:

$$\text{BAUD} = 100\text{h} - (14.7456\text{E}^{+06} / (64 * \text{desired baud rate}))$$

BaudH= Always 0

BaudL = Low 8 bits of BAUD (base16)

**Table 9 – Baud Rate/Interface Timeout**

Baud Rate	BaudL (42h)	BaudH (43h)	Minimum Interface Timeout (58h)	Stop Bit Delay (3Fh)
115,200	FEh	00h	02h	FFh
57,600 <sup>7</sup>	FCh	00h	02h	03h
38,400	FAh	00h	02h	08h
28,800	F8h	00h	02h	0Eh
19,200	F4h	00h	03h	19h
14,400	F0h	00h	04h	23h
9,600	E8h	00h	05h	39h
4800	D0h	00h	09h	7Ah
2400	A0h	00h	11h	FCh
1200	40h	00h	21h	00h <sup>8</sup>

### 5.2.7 Network Topology

**RF Channel Number** – RF Channel Number provides a physical separation between collocated networks. The AC4490 is a spread spectrum frequency hopping transceiver with a fixed hopping sequence. Without synchronizing their frequency hopping, collocated systems on different channel numbers can interfere with each other. To avoid this kind of interference, collocated networks can use **Sync-to-Channel**. Sync-to-Channel synchronizes the frequency hopping between multiple collocated networks. A Server transceiver with Sync-to-Channel enabled must have its **Sync Channel** set to another Server's RF Channel Number. It is required that a Server with Sync-to-Channel enabled must have its Sync Channel set to a value less than its RF Channel Number. **Collocated networks using Sync-to-Channel must use the same Channel Set.**

**Important Note:** If Server A (with Sync-to-Channel enabled) cannot synchronize to Server B (on the Sync Channel), Server A will not be able communicate with its Clients. Server A must wait until it synchronizes with Server B (at which point its IN\_RANGE pin will be asserted), before

<sup>7</sup> 57,600 is the default baud rate.

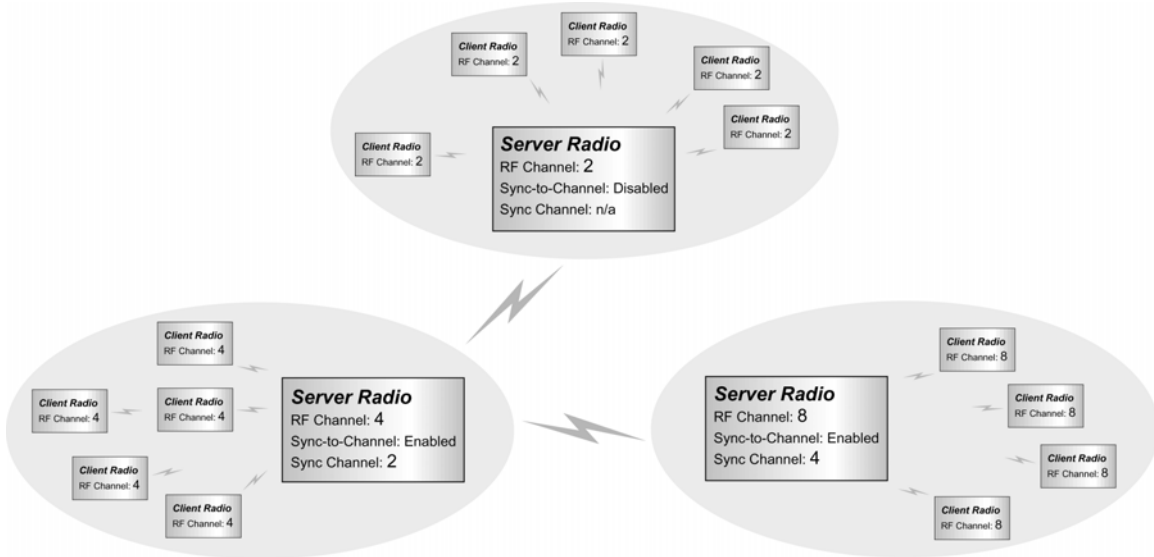
<sup>8</sup> 00h will yield a stop bit of 421uS. The stop bit at 1200 baud should be 833us.

## AC4490 Specifications

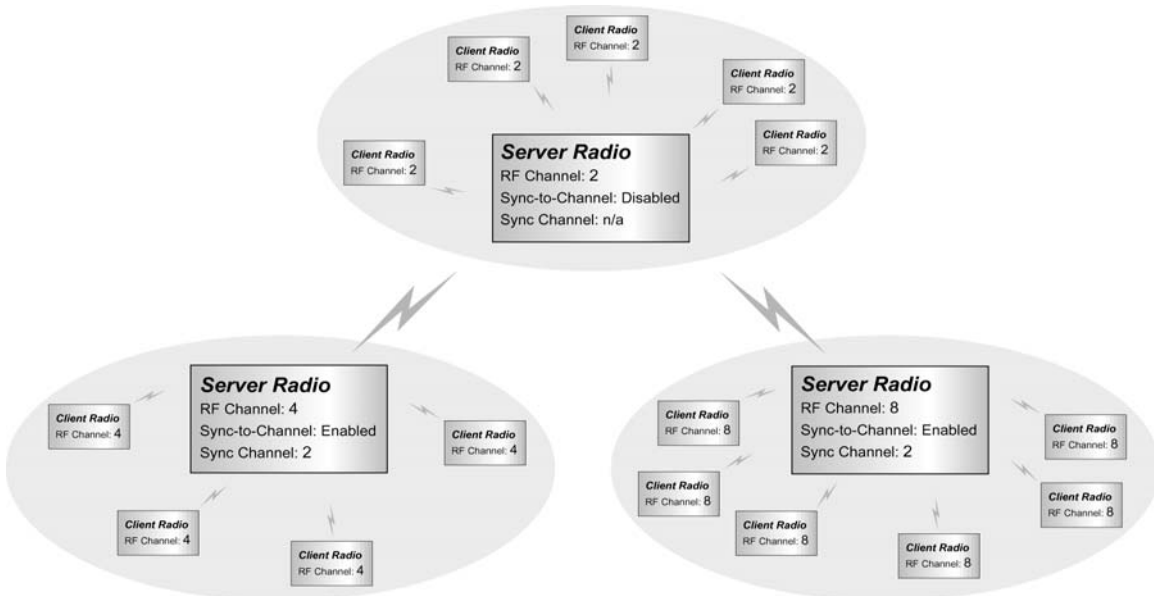
establishing communications. Server B will not be affected and hence can communicate with its Clients.

See the Diagrams below for examples:

### Frequency Hop Synchronization Using the Daisy-Chain Network Arrangement



### Frequency Hop Synchronization Using the Centralized Network Arrangement



## AC4490 Specifications

**Table 10 – US and International RF Channel Number Settings**

Channel Set	RF Channel Number Range (40h)	Frequency Details and Regulatory Requirements	Countries	Frequency Offset (46h)
0 (AC4490-1x1, AC4490-200)	0 – 0Fh	902 – 928MHz (26 hop bins)	US/Canada	1
1 (AC4490-1x1, AC4490-200, AC4490-1000)	10 – 2Fh	902 – 928MHz (50 hop bins)	US/Canada	N/A
2 (AC4490-1x1, AC4490-200, AC4490-1000)	30 – 37h	915 – 928MHz (22 hop bins)	US/Canada (-1x1/-200) Australia (-1x1/-200/-1000)	0

**Frequency Offset** – Frequency Offset is an AC4490 protocol parameter used in conjunction with RF Channel Number.

**System ID** – System ID is similar to a password character or network number and makes network eavesdropping more difficult. A receiving transceiver will not go in range of or communicate with another transceiver on a different System ID.

**DES (Data Encryption Standard)** – Encryption is the process of encoding an information bit stream to secure the data content. The DES algorithm is a common, simple and well-established encryption routine. An encryption key of 56 bits is used to encrypt the packet. The receiver must use the exact same key to decrypt the packet; otherwise garbled data will be produced. The 7 byte (56 bits) Encryption/Decryption Key is located in EEPROM Bytes D0 – D6. It is highly recommended that this Key be changed from the default.

**Auto Channel** – To allow for more flexible network configurations, Auto Channel can be enabled in Clients to allow them to automatically synchronize with the first Server they detect, regardless of Channel Number. **Note: A Client with Auto Channel will only synchronize with a Server operating in the same Channel Set and having a matching System ID.**

### 5.2.8 Auto Config

The AC4490 has several variables that control its RF performance and vary by **RF Mode** and **RF Architecture**. Enabling Auto Config will bypass the value for these variables stored in EEPROM and use predetermined values for the given mode. Below is a list containing all of the variables affected by Auto Config and their respective predetermined values (values are all in hexadecimal format). When Auto Config is disabled, these values must be programmed in the transceiver EEPROM for the corresponding mode of operation.



**Table 11 – Auto Config Parameters**

Parameter (those not named are undocumented protocol parameters)	EEPROM Address	Default	Acknowledge Mode	
			One Beacon Mode Disabled	One Beacon Mode Enabled
Sub Hop Adjust	36	66	A0	A0
	47	0E	0E	0E
	48	90	90	90
	4E	09	09	09
	53	80	80	80
	54	07	07	07
RF Packet Size	5B	46	50	68
CTS On	5C	D2	DC	DC
CTS On Hysteresis	5D	AC	B0	B0
	5E	23	23	23
	5F	08	08	08

**5.2.9 One Beacon Mode**

The beacon, which is sent by the Server and contains system timing information, takes approximately 1ms to send. With One Beacon Mode disabled, the Server will send a beacon once every hop. Enabling One Beacon mode causes the beacon to only be sent once per complete hop cycle. Using this feature can make initial synchronization take slightly longer and can make communications more difficult if operating on the fringe but can increase net throughput. **All transceivers on the same network must use the same settings for One Beacon Mode.**

**Table 12 – One Beacon Mode Settings**

Address	One Beacon Enabled	One Beacon Disabled
45h	Set bit 7	Clear bit 7
3Ch	18h	28h
3Dh	Channel 10-2Fh: C8h	18h
	All others: 68h	

**Range Refresh** – The Server sends out timing beacons at regular intervals to maintain Client synchronization. Upon hearing a beacon, a Client will be in range of the Server and will assert its IN\_RANGE pin Low. Each time the Client hears a Server beacon, it resets the Range Refresh timer. If the timer ever expires, the Client will go out of range, take the IN\_RANGE pin High and will enter acquisition mode trying to find the Server again. Therefore, Range Refresh specifies the maximum amount of time a Client can go without hearing a Server beacon. This variable is particularly useful when operating on fringe coverage areas. The Range Refresh timer is equal to hop period \* the value of Range Refresh. Hop period is a default of 20ms. **Note: Range Refresh should not be set to 0h.**

## AC4490 Specifications

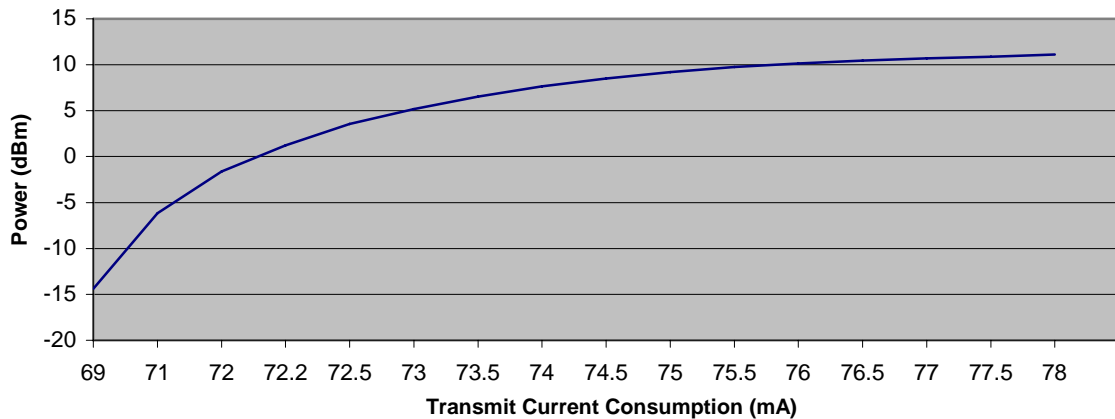
### 5.2.10 Max Power

Max Power provides a means for controlling the RF transmit output power of the AC4490. Output power and current consumption can vary by as much as  $\pm 10\%$  per transceiver for a particular Max Power setting. Contact Aerocomm for assistance in adjusting Max Power. The following graphs show current consumption versus output power. Transmit power can be represented in dBm (decibels per meter) and mW (milliwatts). The equations for converting between the two are shown below:

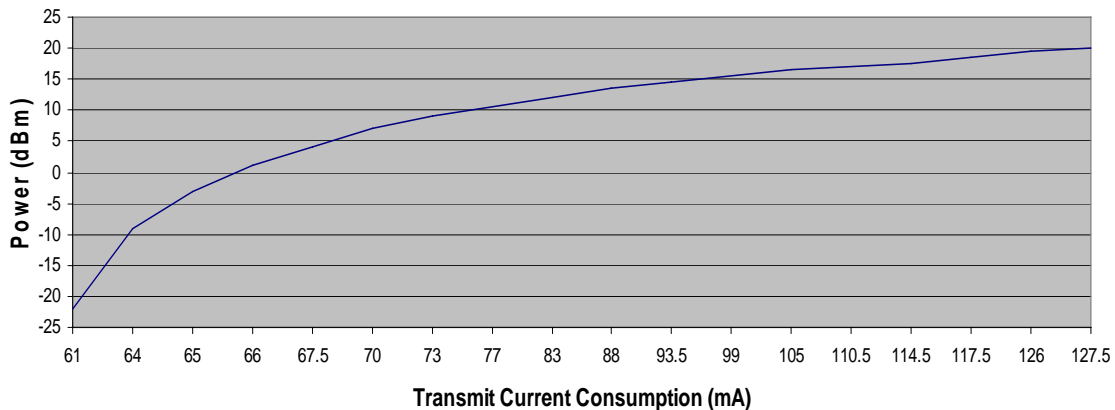
$$\text{Power (dBm)} = 10 \log_{10} \text{Power (mW)}$$

$$\text{Power (mW)} = 10^{(\text{Power (dBm)} / 10)}$$

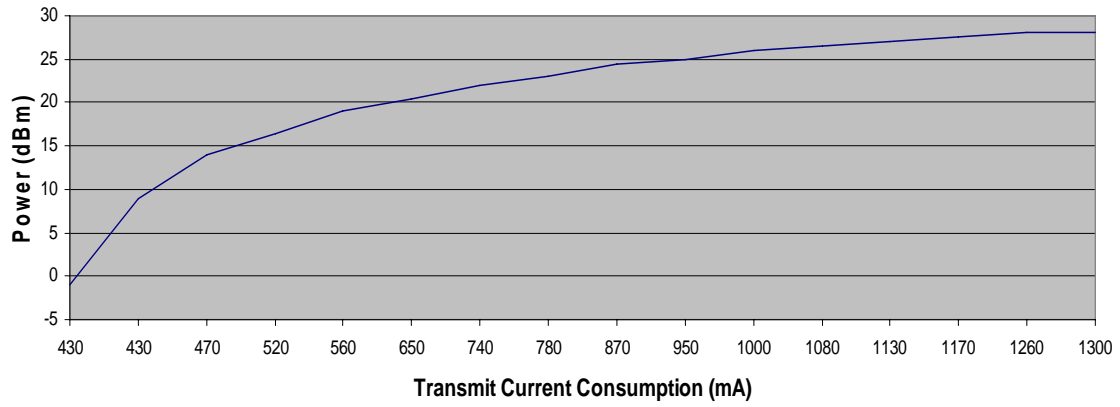
**Table 13 – Current versus Output Power for AC4490-1x1 Transmitter**



**Table 14 – Current versus Output Power for AC4490-200 Transmitter**



**Table 15 – Current versus Output Power for AC4490-1000 Transmitter**



**5.2.11 Interface Options**

**Modem Mode** – Full modem handshaking is supported by the transceivers when enabled in EEPROM. Modem Mode is incompatible with RS-485 DE mode. Because Command/Data performs an alternate function when this mode is enabled, CC on-the-fly commands cannot be used and Configuration Mode is entered by forcing 9600 baud through the 9600\_BAUD pin. Therefore, modem mode, though enabled in EEPROM, will be ignored when 9600 baud is forced. Both modem interfaces are shown below.

**Table 16 – Transceiver Interface to DCE (Server Transceiver)**

When Interfacing the AC4490 to a DCE (Data Communications Equipment):				
DCE Pin Number	DCE Pin Name	Direction with Respect to Transceiver	AC4490 Pin Name	AC4490 Pin Number
1	DCD	In	GI1	14
2	RXD	In	RXD	3
3	TXD	Out	TXD	2
4	DTR	Out	GO0	1
5	GND			5
6	DSR	In	Command/Data	17
7	RTS	Out	CTS	7
8	CTS	In	RTS	8
9	RI	In	GI0	4

**Table 17 – Transceiver Interface to DTE (Client Transceiver)**

When Interfacing the AC4490 to a DTE (Data Terminal Equipment):				
DTE Pin Number	DTE Pin Name	Direction with Respect to Transceiver	AC4490 Pin Name	AC4490 Pin Number
1	DCD	Out	GO0	1
2	RXD	Out	TXD	2
3	TXD	In	RXD	3
4	DTR	In	GI0	4
5	GND			5
6	DSR	Out	Hop Frame	6
7	RTS	In	RTS	8
8	CTS	Out	CTS	7
9	RI	Out	GO1	9

**RS-485 DE Control** – When enabled in EEPROM, the transceiver will use the GO0 pin to control the DE pin on external RS-485 circuitry. If enabled, when the transceiver has data to send to the host, it will assert GO0 High, send the data to the host, and take GO0 Low.

## **AC4490 Specifications**

---

### **5.2.12 Protocol Status and Received Acknowledgment**

**Implemented in v6.3 of the firmware and later.** When enabled in EEPROM, GO0 and GO1 will perform the functions of Protocol Status and Received Acknowledgment.

**Protocol Status** – Every time the radio hops to hop bin 0, the radio will assert GO0 (pin 1) Low for the entire hop bin. GO0 will go Low at the falling edge of Hop Frame at the start of bin 0 and will go High with the rising edge of Hop Frame at the end of bin 0. During all other hops, GO0 will be High. This mode is not compatible with Modem Mode.

**Received Acknowledgment** – The radio uses GO1 (pin 9) to signal that a valid RF acknowledgment has been received from the remote radio. GO1 is normally Low and will go High within approximately 75us of receiving a valid RF Acknowledgment. It will remain High until the end (rising edge) of the next hop. This mode is not compatible with Modem Mode.

### **5.2.13 Receive API**

**Implemented in v6.3 of the firmware and later.** **Receive API** can be enabled to determine the sender of a message. This causes the radio to append a header to the received message detailing the length of the data packet and the sending radio's MAC Address. The received packet will use the following format:

83h	PDL	Sender's MAC	PD
-----	-----	--------------	----

**Where:**

**PDL** = Payload Data Length. One byte specifying the length (in bytes) of the Payload Data.

**Sender's MAC** = Three bytes specifying the three Least Significant bytes of the Sender's MAC Address. The bytes shall be in order of significance from MSB to LSB.

**PD** = Payload Data. The actual string of characters sent by the remote radio.

### **5.2.14 Enhanced Receive API**

**Implemented in v6.7 of the firmware and later.** **Enhanced Receive API** is enabled when bit-0 of the **Enhanced API Control** byte is set to 1h. Upon receiving a packet, the transceiver sends its OEM Host the packet in the following format:

81h	Payload Data Length (1-80h)	Aerocomm Use	RSSI	Destination MAC (2,1,0)	Payload Data
-----	-----------------------------	--------------	------	-------------------------	--------------

The RSSI is how strong the remote transceiver heard the local transceiver.

When both API Send Data Complete and Enhanced Receive API are enabled, API Send Data Complete will be sent to the transceiver before it gets a Receive API Packet. If API Send Data Complete is missed for any reason, the Enhanced Receive API packet may be sent first, thus reversing the order.

## AC4490 Specifications

---

**Note:** If Enhanced Receive API is enabled, the Receive API feature should be disabled by setting EEPROM byte C1h to FFh.

### 5.2.15 Transmit API Packet

**Implemented in v6.7 of the firmware and later.** **Transmit API Packet** is enabled when bit-1 of the **Enhanced API Control** byte is set to 1h. The OEM Host should use the following format to transmit a packet:

81h	Payload Data Length (1-80h)	Aerocomm Use*	Transmit Retries/Broadcast Attempts	Destination MAC (2,1,0)	Payload Data
-----	-----------------------------	---------------	-------------------------------------	-------------------------	--------------

\*For Aerocomm Use only, may be set to any value.

- 1) If the OEM Host does not encode the header correctly, the transceiver will send the entire string (up to 80h bytes) as a data packet.
- 2) Although the 7 bytes of overhead are not sent over the RF, they are kept in the buffer until the packet is sent. Keep this in mind so as not to overrun the 256-byte buffer.
- 3) Setting the Destination MAC to FFh FFh FFh will broadcast the packet.

### 5.2.16 API Send Data Complete

**Implemented in v6.7 of the firmware and later.** **API Send Data Complete** is enabled when bit-2 of the **Enhanced API Control** byte is set to 1h. The transceiver sends the OEM Host the following data upon receiving an RF Acknowledge from the remote transceiver or after exhausting all attempts:

82h	Aerocomm Use	RSSI	00h: Failure 01h: Success
-----	--------------	------	------------------------------

- 1) RSSI is how strong the remote transceiver heard the local transceiver.
- 2) Successful RF Acknowledge updates the Success/Failure byte.
- 3) When the transceiver is transmitting Broadcast Packets it will always return success after exhausting all Broadcast Attempts.
- 4) The transceiver could receive a failure even though the packet was received, as it could have missed the RF Acknowledge from the remote transceiver.

When the **API Send Data Complete** is enabled, an RF Acknowledge is received for every packet that has been transmitted.

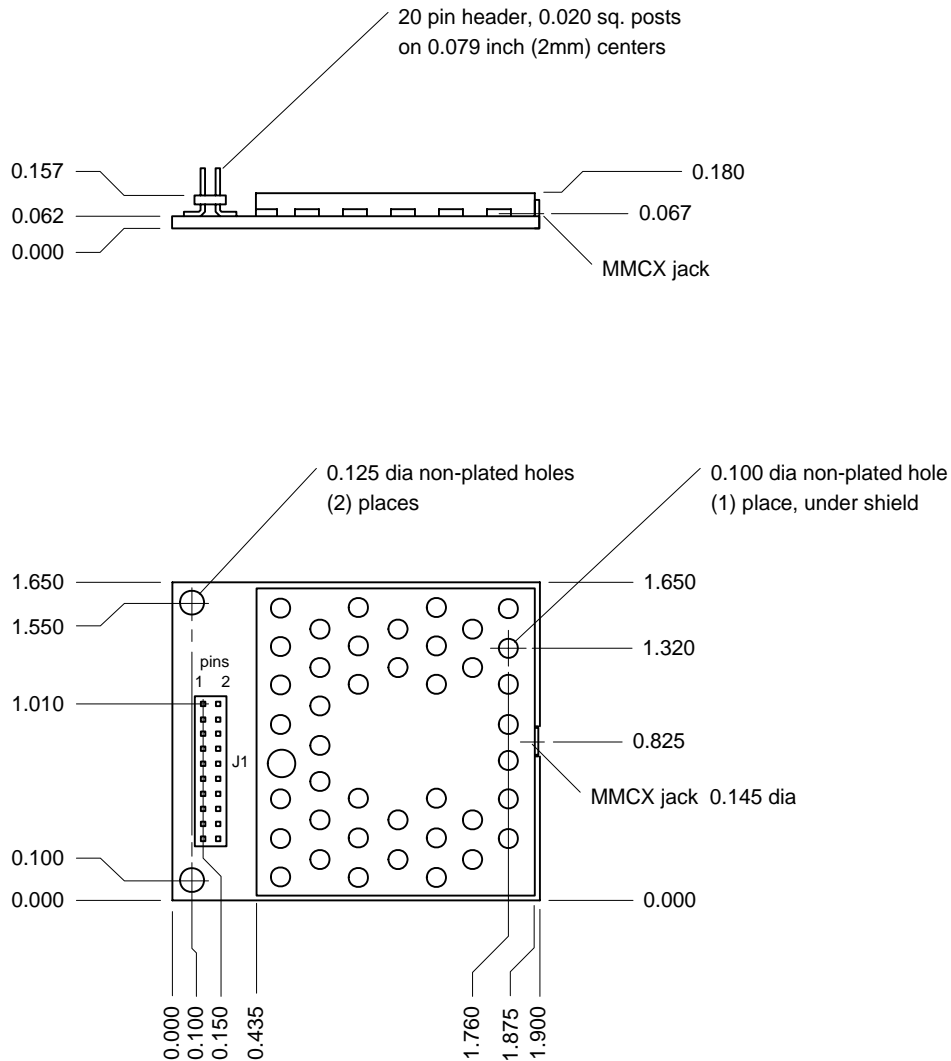
## 6. Dimensions

Critical parameters are as follows:

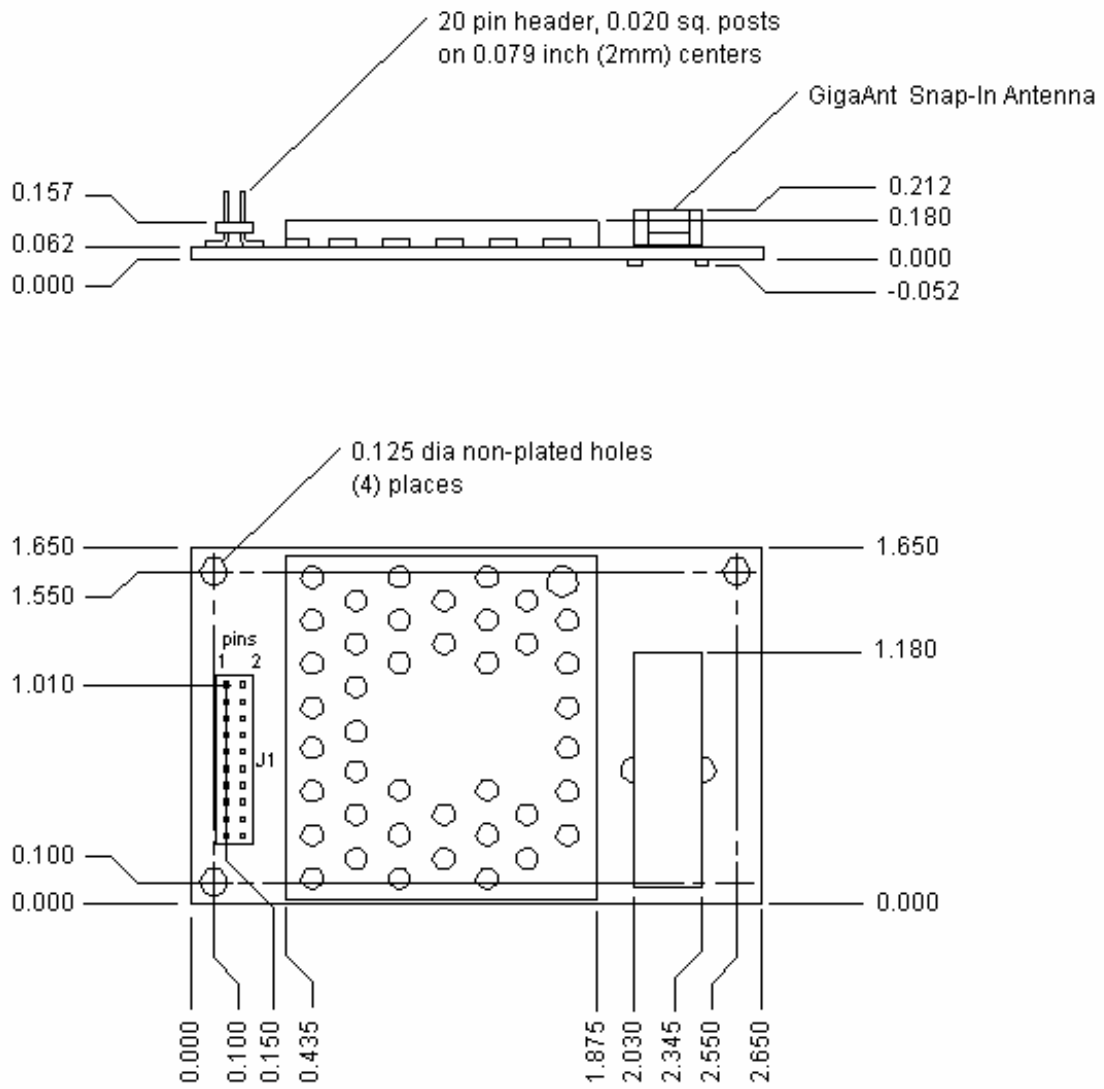
**Interface Connector** – 20 pin OEM interface connector (Samtec TMM-110-01-L-D-SM, mates with Samtec SMM-110-02-S-D)

**MMCX Jack** – Antenna connector (Telegärtner P/N J01341C0081) mates with any manufacturer's MMCX plug

**Figure 2 - AC4490 (with MMCX Connector) Mechanical**

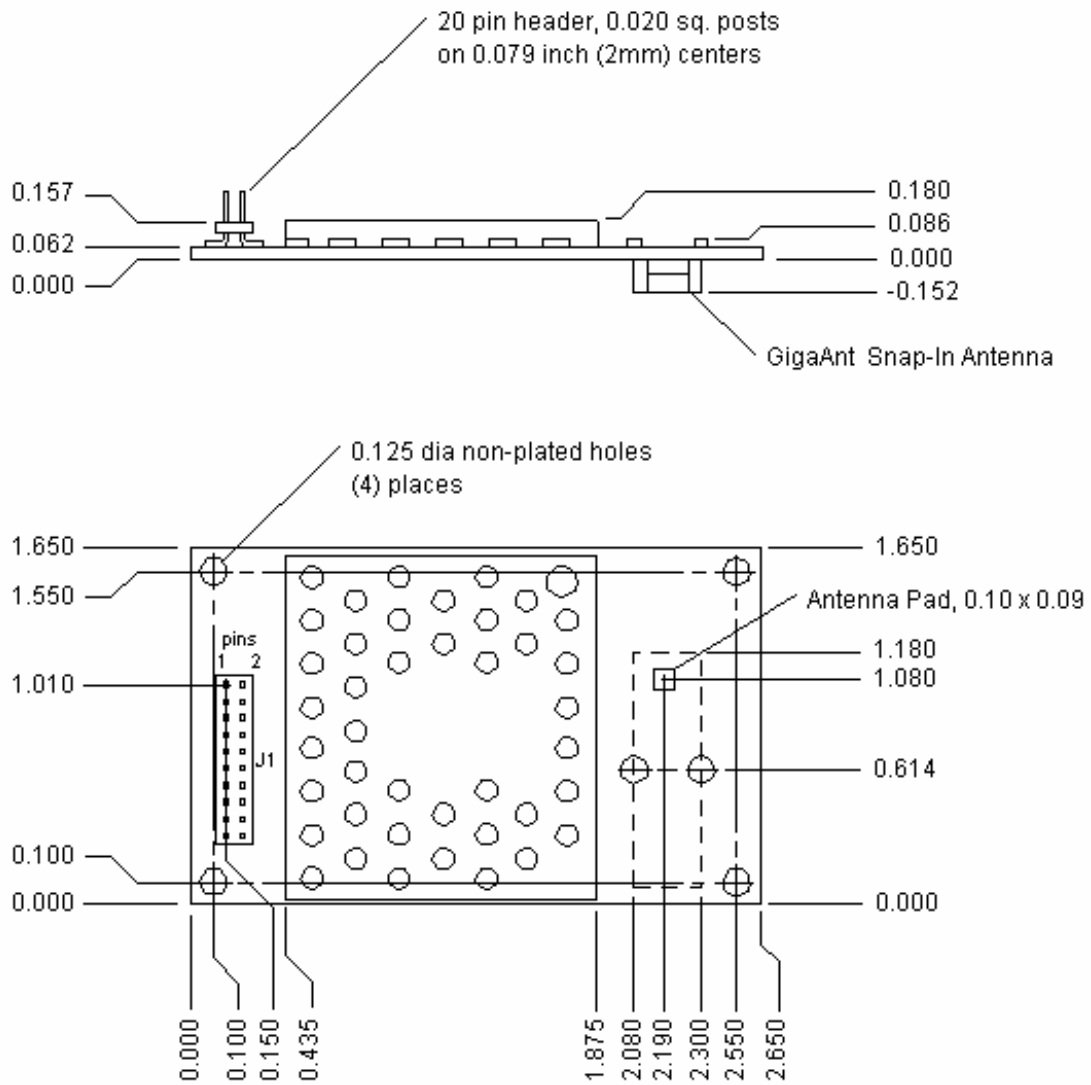


**Figure 3 - AC4490 (with Integral GigaAnt Antenna on Top) Mechanical**

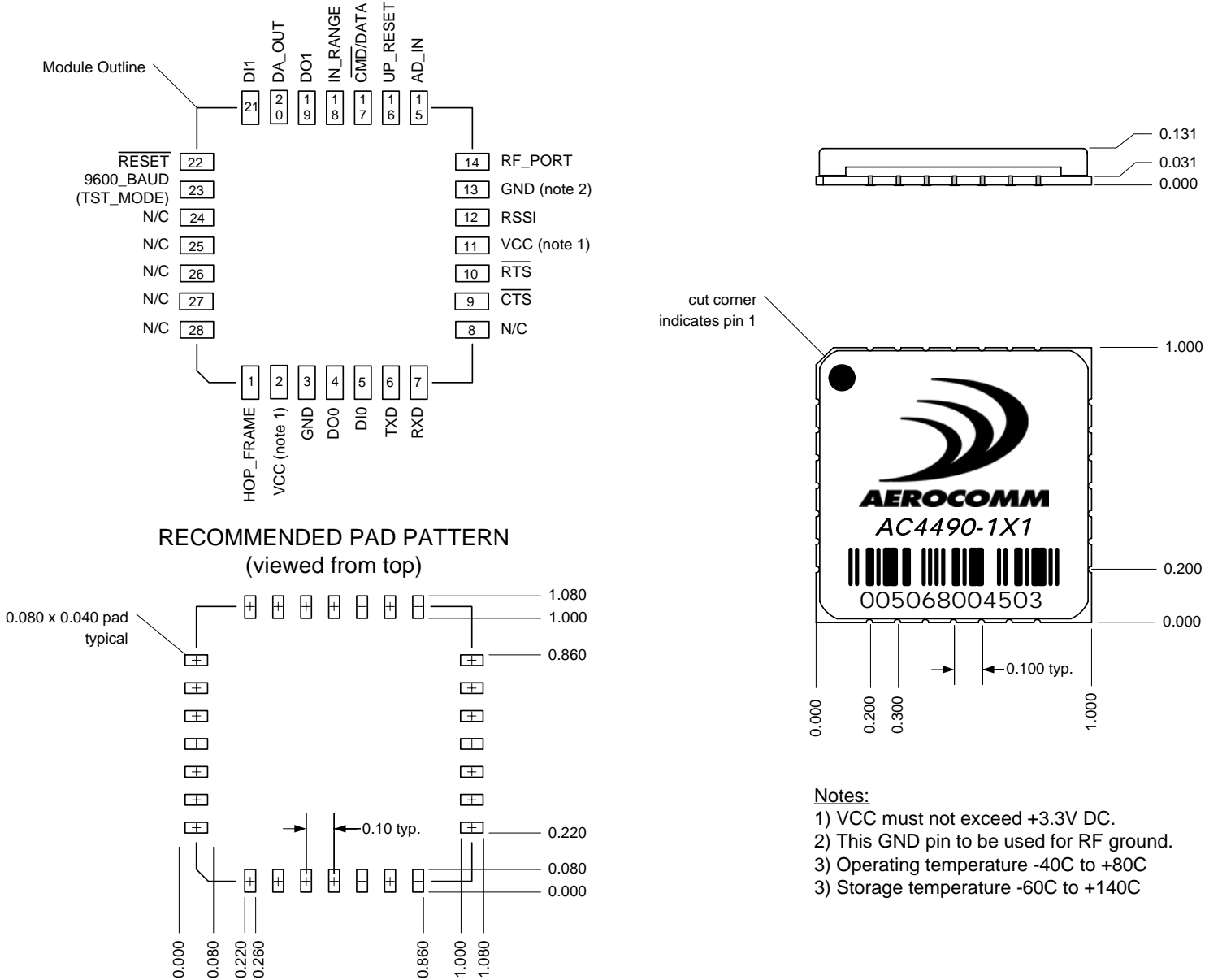




**Figure 4 - AC4490 (with Integral GigaAnt Antenna on Bottom) Mechanical**



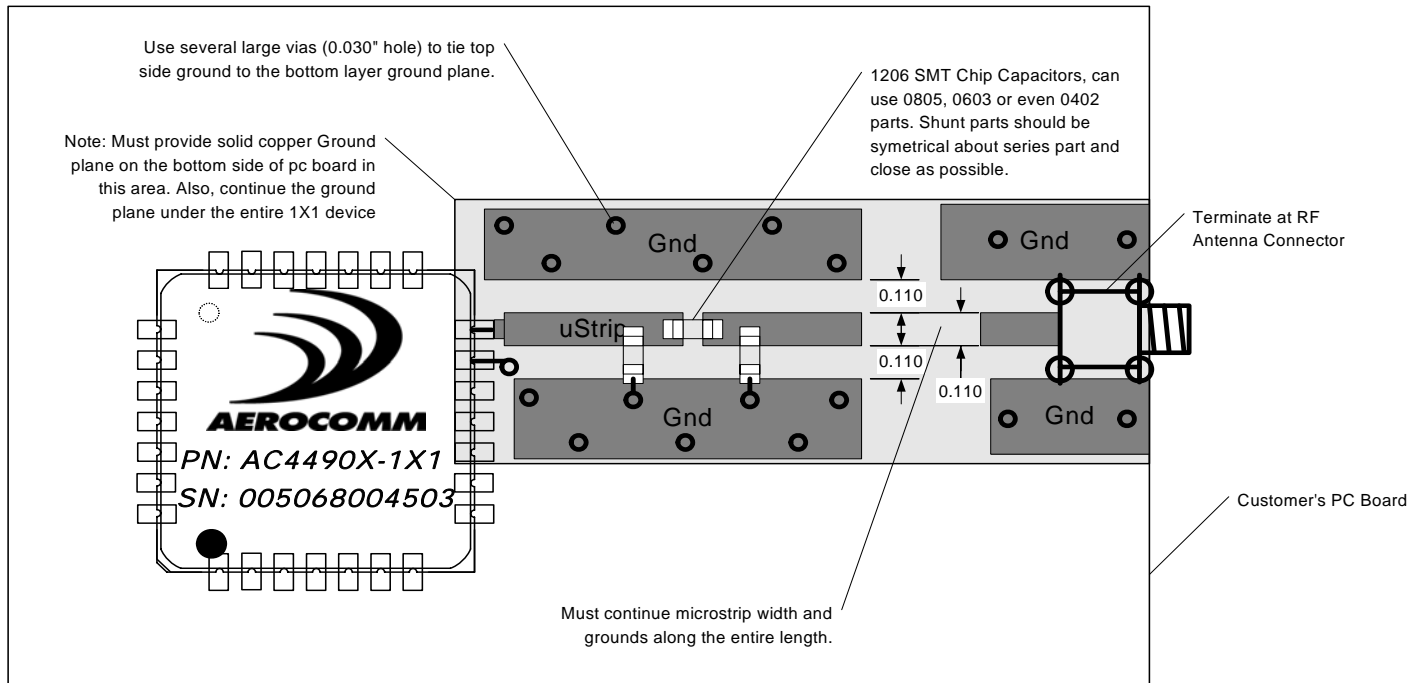
**Figure 5 - AC4490-1x1 Mechanical**



- Notes:**
- 1) VCC must not exceed +3.3V DC.
  - 2) This GND pin to be used for RF ground.
  - 3) Operating temperature -40C to +80C  
Storage temperature -60C to +140C

**Figure 6 - AC4490-1x1 PCB Considerations**

Note: Keep distance between 1x1 Module and antenna connector as short as possible for better performance.



**PCB Thickness Notes:**

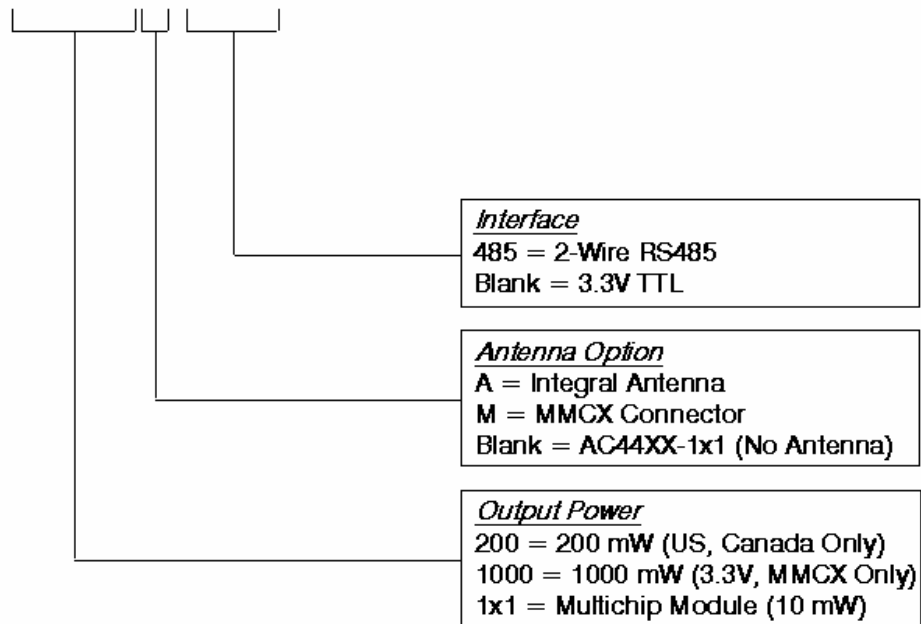
For 0.062 thick PC board microstrip width and spacing is 0.110 inches.

For 0.031 thick PC board microstrip width and spacing is 0.055 inches.

## 7. Ordering Information

### 7.1 PRODUCT PART NUMBER TREE

AC4490-XXXXX-XXX



### 7.2 DEVELOPER KIT PART NUMBERS

All the above part numbers can be ordered as a development kit by prefacing the part number with "SDK-". As an example, part number AC4490-200A can be ordered as a development kit using the following part number: SDK-AC4490-200A.

All Developer Kits include (2) transceivers, (2) Serial Adapter Boards, (2) 6VDC unregulated power supplies, (2) Serial cables, (2) USB cables, (2) S467FL-6-RMM-915S dipole antennas with 6" pigtail and MMCX connector, configuration/testing software, and integration engineering support.

## **8. Agency Compliancy Information**

### **8.1 AC4490-1x1**

Due to the RF antenna trace residing on the OEM Host PCB, the FCC will not grant modular approval for the AC4490-1x1 and requires the OEM to submit their completed design for approval. Contact AeroComm for the approval procedure.

### **8.2 AGENCY IDENTIFICATION NUMBERS**

Agency compliancy is a very important requirement for any product deployment. AeroComm has obtained modular approval for its products so the OEM only has to meet a few requirements to be eligible to use that approval. The corresponding agency identification numbers and approved antennas are listed in the table below.

**Table 18 – Agency Identification Numbers**

<b>Part Number</b>	<b>US/FCC</b>	<b>CAN/IC</b>
AC4490-200	KQLAC4490-100	2268C-AC4490
AC4490-1000	KQL-AC4490	2268C-44901000

**Agency Compliancy Information**

**8.3 APPROVED ANTENNA LIST**

The following antennas are approved for operation with the AC4490 as identified. **The FCC permits the OEM to choose another vendor’s antenna of equal or lesser gain and similar type as an antenna appearing in the table and still maintain compliance.**

**Table 19 – AC4490 Approved Antenna List**

AeroComm Part Number	Manufacturer Part Number	Manufacturer	Type	Gain (dBi)	AC4490-200A	AC4490-200M	AC4490-1000M
0600-00019	S467FL-5-RMM-915S	Nearson	½ Wave Dipole	2		X	X
0600-00025	S467FL-5-RMM-915	Nearson	½ Wave Dipole	2		X	X
0600-00024	S467AH-915S	Nearson	½ Wave Dipole	2		X	X
0600-00027	S467AH-915	Nearson	½ Wave Dipole	2		X	X
0600-00028	S161AH-915R	Nearson	½ Wave Dipole	2.5		X	X
0600-00029	S161AH-915	Nearson	½ Wave Dipole	2.5		X	X
0600-00030	S331AH-915	Nearson	¼ Wave Dipole	1		X	X
	1020B5812-04 Flavus	gigaAnt	Microstrip	-0.5	X		

## ***Agency Compliancy Information***

---

### **FCC / INDUSTRY CANADA (IC) REQUIREMENTS FOR MODULAR APPROVAL**

In general, there are two agency classifications of wireless applications; portable and mobile.

**Portable** – Portable is a classification of equipment where the user, in general, will be within 20cm of the transmitting antenna. Portable equipment is further broken into two classes; within 2.5cm of human contact and beyond 2.5cm (NOTE: Ankles, feet, wrists and hands are permitted to be within 2.5cm of the antenna even if the equipment is designated as being greater than 2.5cm). The AC4490 is not agency approved for portable applications. The OEM is required to have additional testing performed to receive this classification. Contact Aerocomm for details.

**Mobile** – Mobile defines equipment where the user will be 20cm or greater from the transmitting antenna. The antenna must be mounted in such a way that it cannot be moved closer to the user with respect to the equipment, although the equipment may be moved. NOTE: Ankles, feet, wrists and hands are permitted to be within 20cm of mobile equipment.

#### ***8.3.1 OEM Equipment Labeling Requirements***



**WARNING:** The Original Equipment Manufacturer (OEM) must ensure that FCC labeling requirements are met. This includes a clearly visible label on the outside of the OEM enclosure specifying the appropriate AeroComm FCC identifier for this product as well as the FCC Notice below. The FCC identifiers are listed above in the Agency Identification Numbers chart.



**WARNING:** This device complies with Part 15 of the FCC Rules. Operation is subject to the following two conditions: (1) This device may not cause harmful interference, and (2) This device must accept any interference received, including interference that may cause undesired operation.

#### ***8.3.2 Antenna Requirements***



**WARNING:** This device has been tested with an MMCX connector with the antennas listed above. When integrated in the OEMs product, these fixed antennas require professional installation preventing end-users from replacing them with non-approved antennas. Any antenna not in the previous table must be tested to comply with FCC Section 15.203 for unique antenna connectors and Section 15.247 for emissions. Contact Aerocomm for assistance.

**Caution:** Any change or modification not expressly approved by AeroComm could void the user's authority to operate the equipment.

**8.3.3 Warnings Required in OEM Manuals**

**RF Exposure for Warning for Mobile Equipment**



**WARNING:** This equipment has been approved for mobile applications where the equipment should be used at distances greater than 20cm from the human body (with the exception of hands, wrists, feet and ankles). Operation at distances less than 20cm is strictly prohibited.

**8.3.4 Channel Warning**

The OEM must prevent the end user from selecting a Channel not approved for use by the FCC/IC.



## 9. Appendix I - Power Supply Application Note

### 9.1 OVERVIEW

Here is a simple switching power supply that provides enough current to easily power any Aerocomm OEM module. It utilizes low cost, off the shelf components that fit into a small area. This supply has an input voltage range of +6 volts to +18 volts and will output +3.4 volts at 1.5 amps.

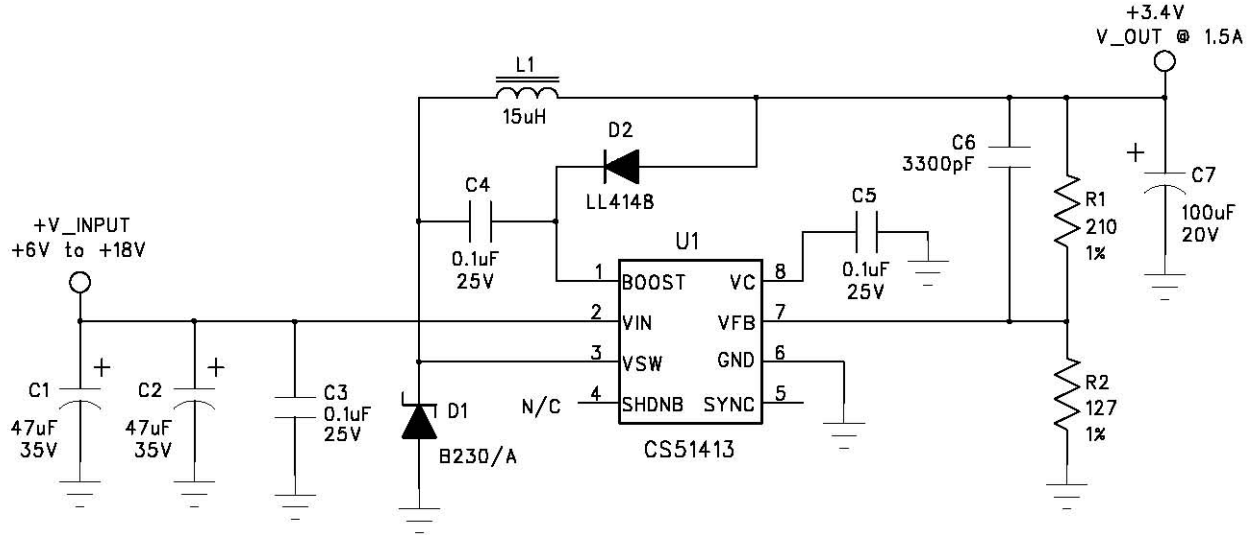
Included is a schematic, bill of material with manufacture's name and part numbers and a sample PC board layout. It is important to follow the layout suggestions and use large areas of copper to connect the devices as shown in the layout. It is also important to hook up the ground traces as shown and use multiple vias to connect input and output capacitors to the bottom side ground plane.

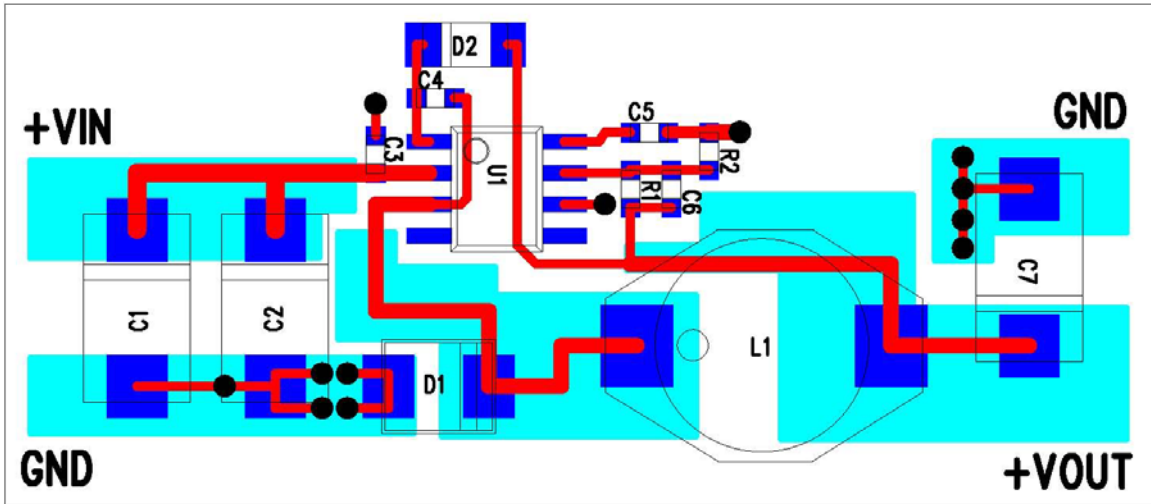
If the input voltage will be less than 12 volts then C1 and C2 can be replaced with a single 100uF 20 volt capacitor (same part number as C7). This will reduce board space and lower costs further. If you are powering an AC5124 module, R1 can be changed to a 373 ohm 1% resistor. This will change the output to +5 volts at 1.0 amps.

Qty	Reference	Value	Description	Mfg.	Mfg. part number
1	R1	210	Res, 0603, 210, 1/16W, 1%	KOA	RK73H1JT2100F
1	R2	127	Res, 0603, 127, 1/16W, 1%	KOA	RK73H1JT1270F
2	C1 C2	47uF	Cap, Tant, 7343, 47uF, 35V	AVX	TPSE476M035R0200
3	C3 C4 C5	0.1uF	Cap, Cer, 0603, 0.1uF, Y5V, 25V	Murata	GRM39Y5V104Z025AD
1	C6	3300pF	Cap, Cer, 0603, 3300pF, X7R, 50V	Murata	GRM39X7R332K050AD
1	C7	100uF	Cap, Tant, 7343, 100uF, 20V	Kemet	T491X107K020A5
1	D1	B230/A	Diode, SMB, B230/A, 2A, Schottkey	Diodes, Inc.	B230/A
1	D2	LL4148	Diode, MELF, LL4148, Switch Diode	Diodes, Inc.	LL4148
1	L1	15uH	Xfmr, 2P, SMT, 15uH, 2A	Coiltronics	UP2.8B150
1	U1	CS51413	IC, CS51413, 8P, SO, Switch Reg Ctrl.	On-Semicond.	CS51413

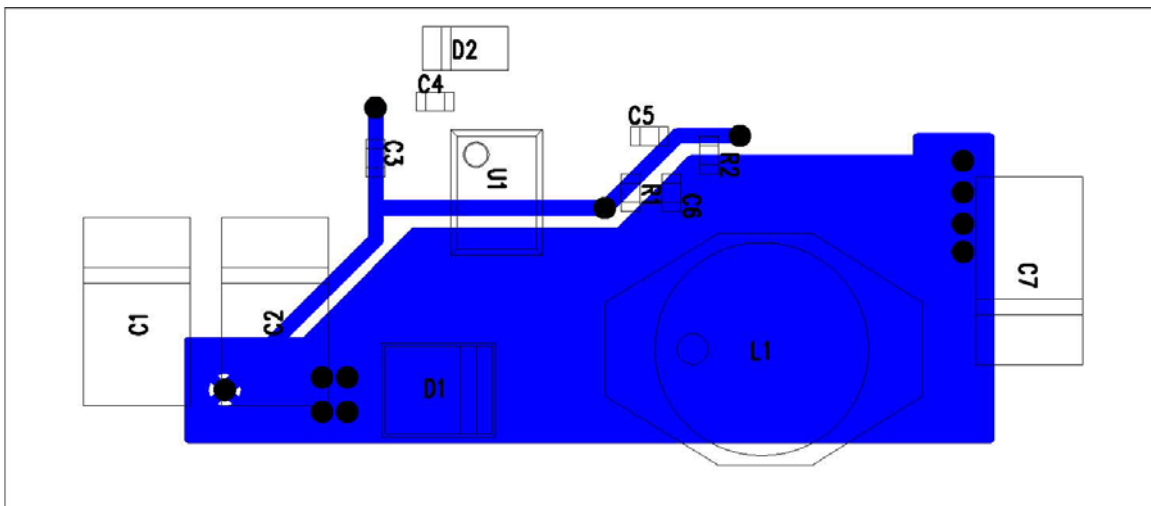
### Bill of Materials

## Switching Power Supply





Top Side Artwork



Bottom Side Artwork  
(Viewed from the Top)