

Correspondence

Feedback

Please refer to "A Weather-Facsimile Display Board for the IBM PC," *QEX*, Sep 1988, p 5, Fig 4. The logic behind the circuit is better understood if U4A and U4B are shown as in Fig 1. On p 3, right-hand column, second paragraph, the active filter identified as U1C is actually U2C.—*H. Paul Shuch, N6TX*

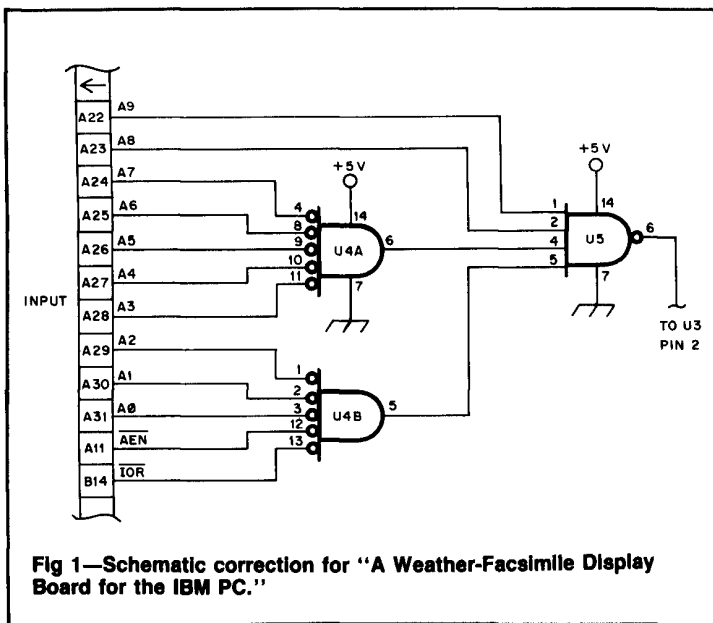


Fig 1—Schematic correction for "A Weather-Facsimile Display Board for the IBM PC."

There is an schematic error in the "8052AH-BASIC Micro Project Controller," *QEX*, Oct 1988, p 5, Fig 1. The connection points associated with DS1 (connections 1 to 13), Z1 (connections 14 to 16) and U7 (connections 17 to 20), were incorrectly identified as P1; this terminal block is TB1 as shown here in Fig 2. —*Tom Francis, NM1Q.*

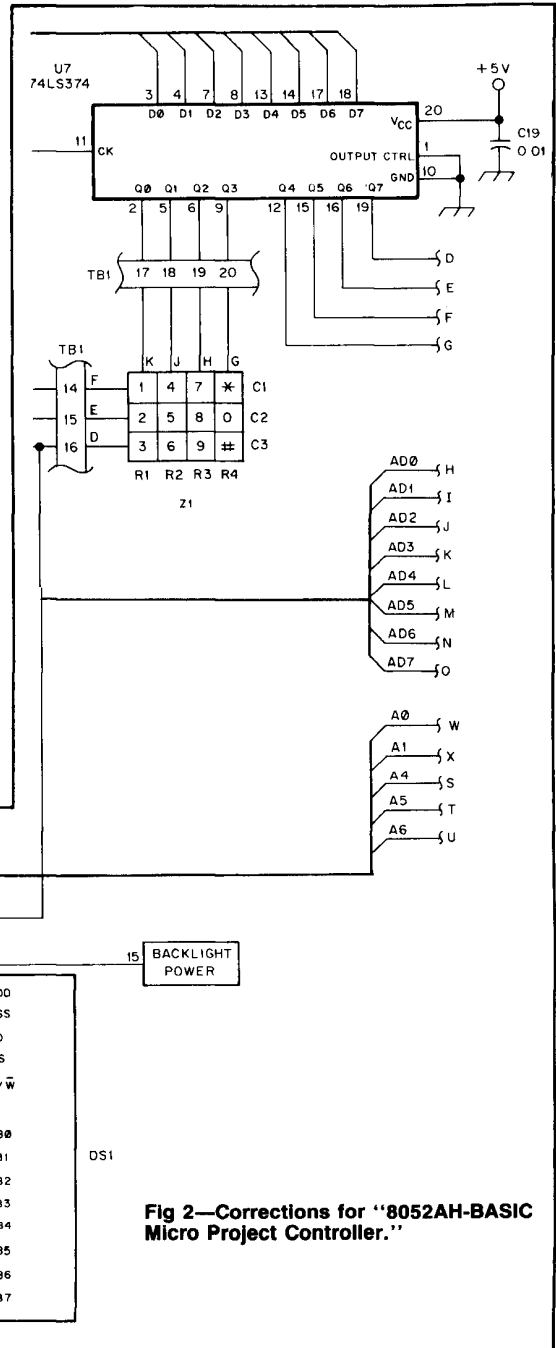


Fig 2—Corrections for "8052AH-BASIC Micro Project Controller."

Bits

NEC High-Gain Heterojunction FET

The NE32084 is a low-noise, high-gain heterojunction FET that is available in a sealed, stripline package. Its characteristics make the device suitable for LNA and gain-stage applications. The NE32084 exhibits a typical noise figure of 1.3 dB and gain of 10 dB at 12 GHz.

For more information and pricing, contact Tom Costa, product Marketing Manager, California Eastern Laboratories, 3260 Jay St., Santa Clara, CA 95054, tel 408-988-3500.—*Paul K. Pagel, N1FB*