

NC 300 S-meter Sensitivity—“I bought a second-hand NC300 and like it very much, but the S-meter seems to be a bit too sensitive. Any bulletins ever published on this?”

Yes. Bulletin Nr. FSN-35 dated Feb. 17, 1956. To decrease sensitivity of the S-meter by a fixed amount, decrease the value of R_{30} (68K ½ watt). To decrease or increase the sensitivity of the S-meter by a variable amount, replace R_{43} (33 K ½ watt) and R_{30} (68 K ½ watt) with a 100k potentiometer. Connect the arm of the pot to R_{55} (470K ½ watt). See fig. 1

Apache v.f.o.—“I modified my Apache’s v.f.o. in accordance with information received from

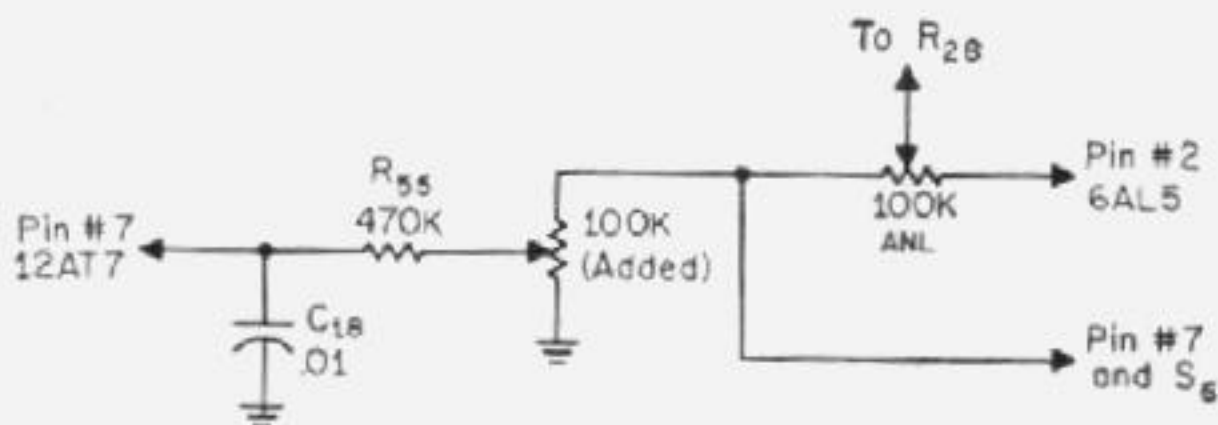


Fig. 1—Changes to de-sensitize the S-meter in the NC-300.