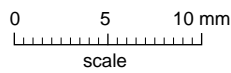
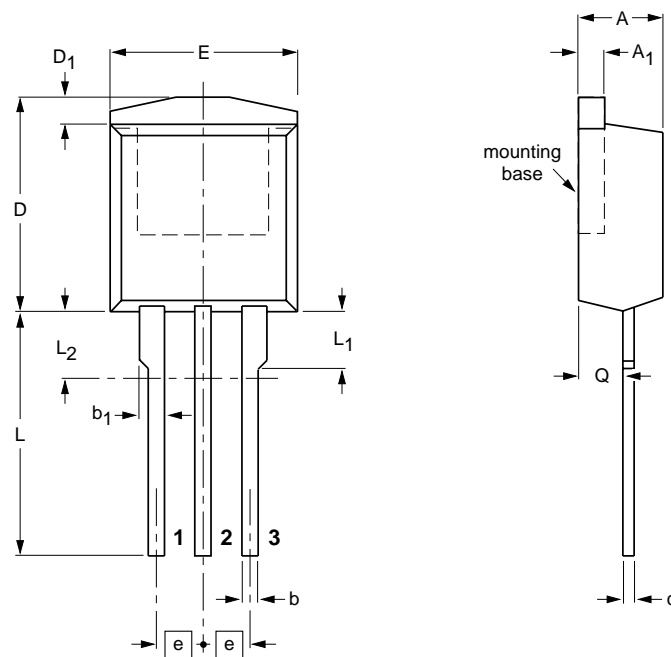


Plastic single-ended package; low-profile 3 lead TO-220AB

SOT226



DIMENSIONS (mm are the original dimensions)

UNIT	A	A ₁	b	b ₁	c	D	D ₁	E	e	L	L ₁	L ₂ ⁽¹⁾ max	Q
mm	4.5 4.1	1.40 1.27	0.9 0.7	1.3 1.0	0.7 0.4	9.65 8.65	1.5 1.1	10.3 9.7	2.54	15.0 13.5	3.30 2.79	3.0	2.6 2.2

Note

1. Terminals in this zone are not tinned.

OUTLINE VERSION	REFERENCES			EUROPEAN PROJECTION	ISSUE DATE
	IEC	JEDEC	EIAJ		
SOT226		low-profile 3-lead TO-220AB			99-05-27 99-09-13