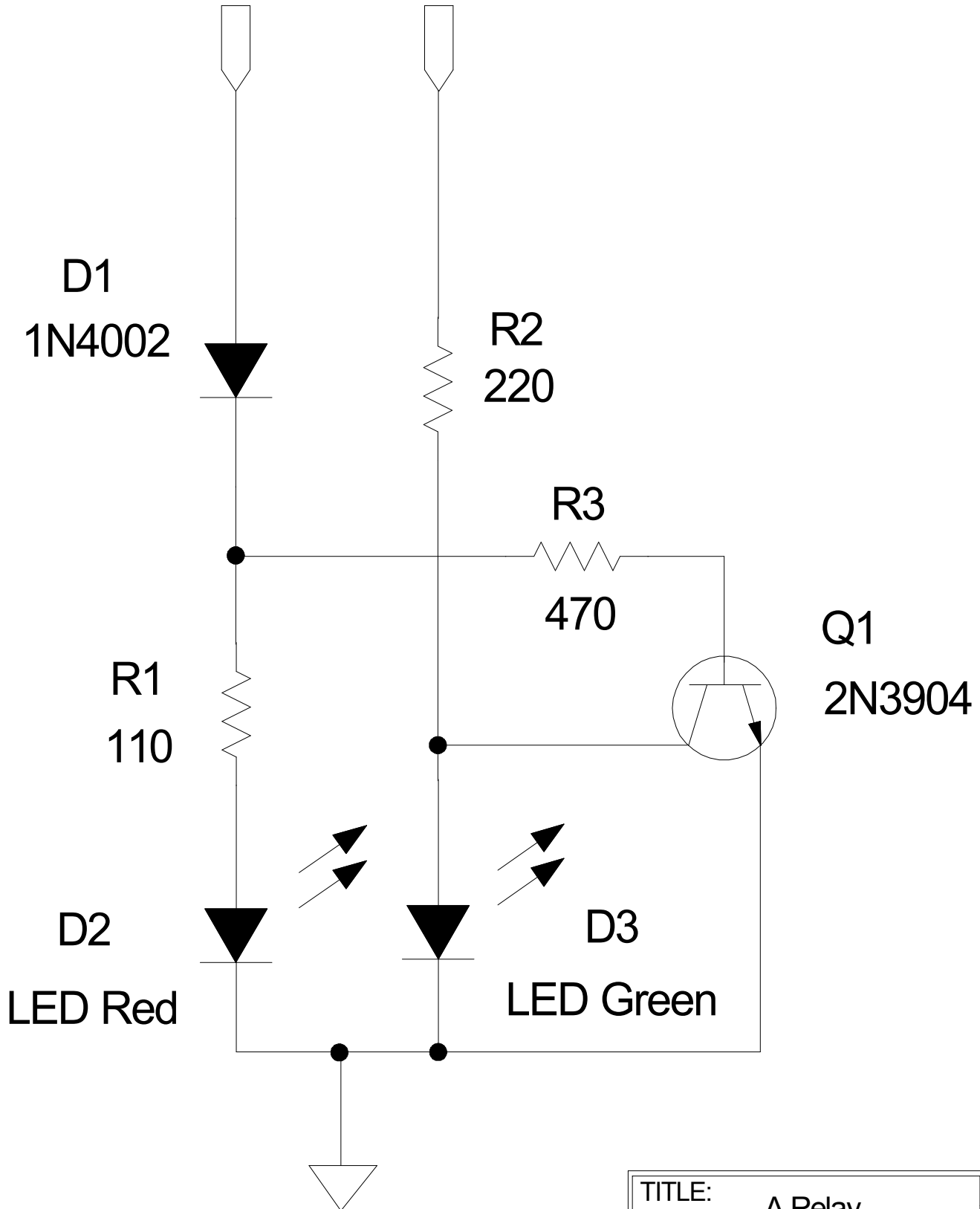


Switched + 5VDC
from Relay /etc. +5 VDC



This circuit is a relay (etc) activity indicator. It will normally indicate Green (via D1). When the "Switched +5VDC" is ON, it will indicate Red (via D2). If a 3-terminal Bi-Color LED is used, the indicator color will go from Green to Red.

TITLE: A Relay Activity Indicator		PAGE NR: 1 of 1
FILENAME: R-G Relay Indicator		CONNECTIVE COUNT: n/a
SECTION: HR/Projects/Audio Distribution		VERSION: 1.0b
DATE: 2003 04 07		
E. T. TANTON		N4XY