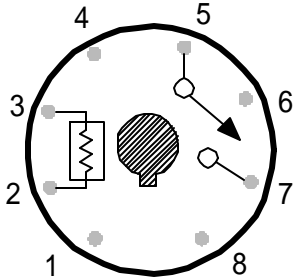


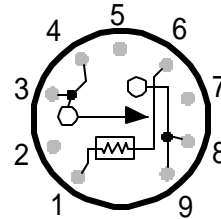
Amperite Time Delay Relays

OCTAL

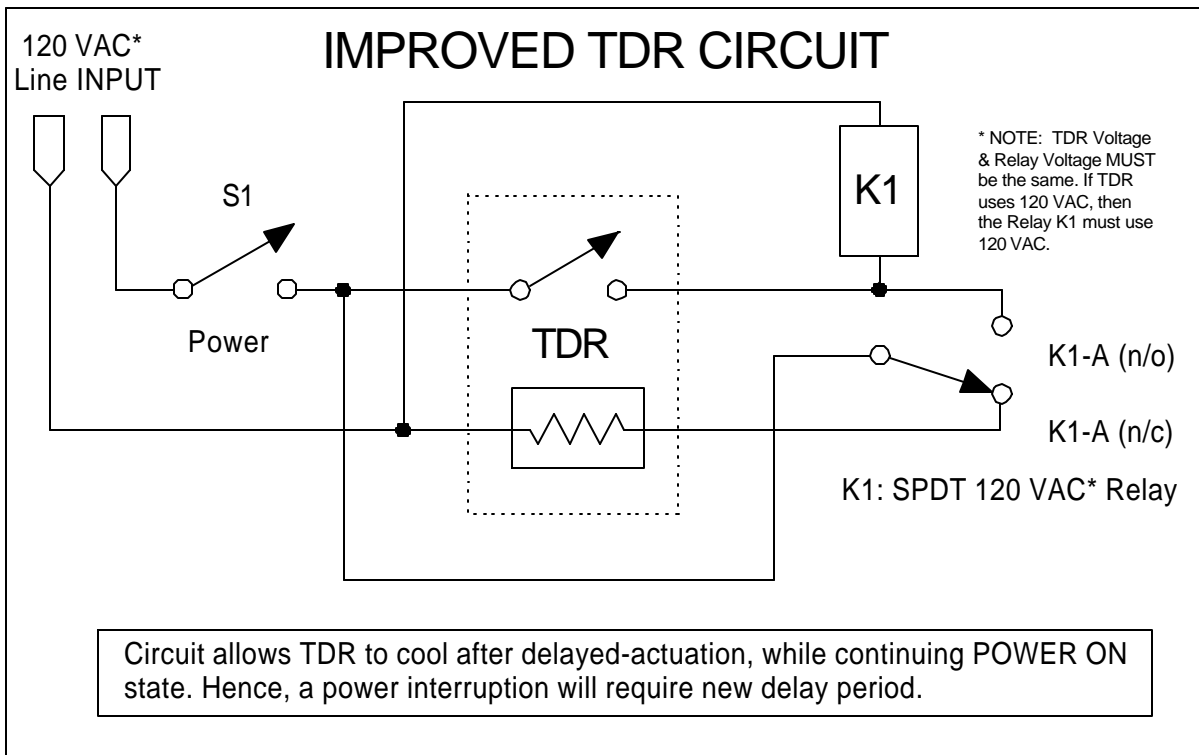


PINS: 2 - 3 Thermal Element
PINS: 5 - 7 N/O Contacts

9 - PIN



PINS: 1 - 6 Thermal Element
PINS: 3&4 - 8&9 N/O Contacts



TITLE:
Amperite Time Delay Relays
with Improved TDR Circuit

PAGE NR:
1 of 1
CONNECTIVE
COUNT:
n/a
VERSION:
2.0

FILENAME: Amperite_TDRs SECTION: Power Supplies

DATE:
2000 10 02

E. T. TANTON

N4XY