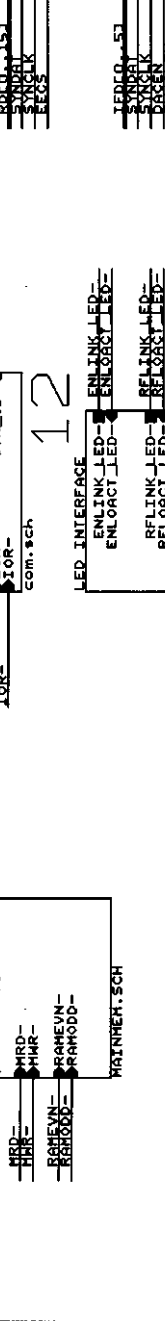
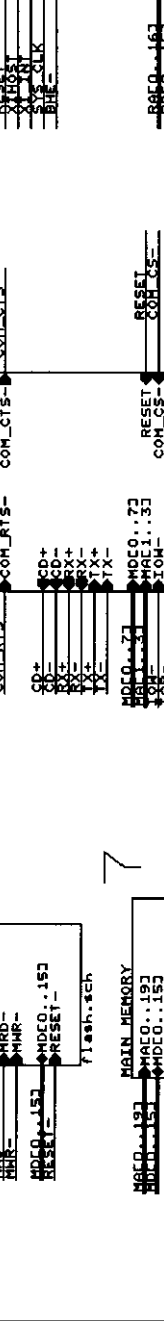
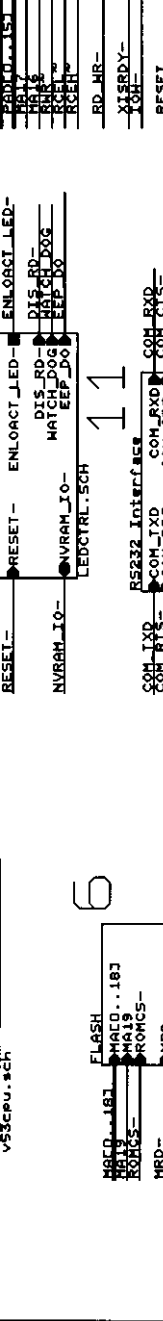
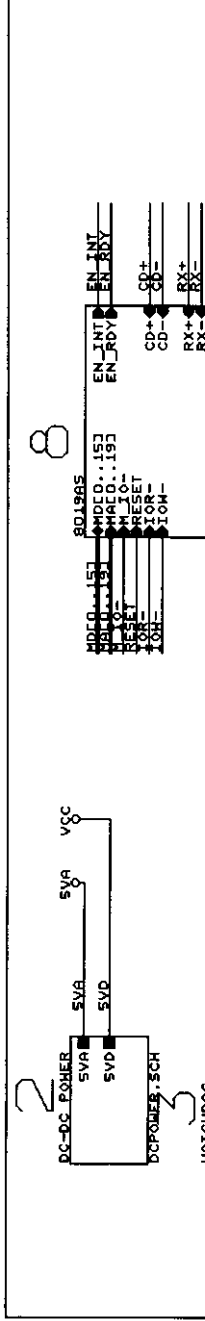


Circuit Diagram

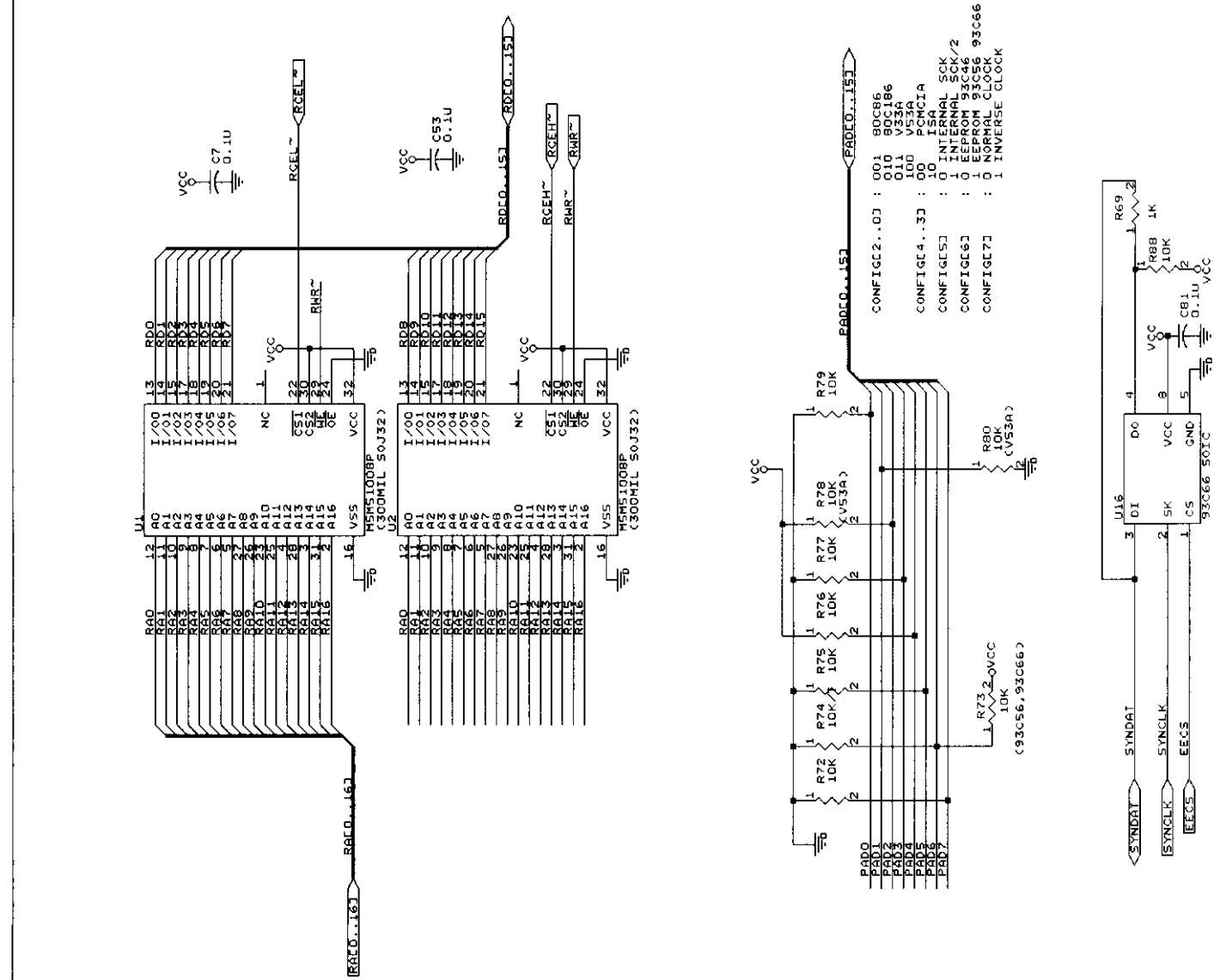
Ecn No.	REV.	DESCRIPTION	DATE	SIGN
	A1	NEW RELEASE		

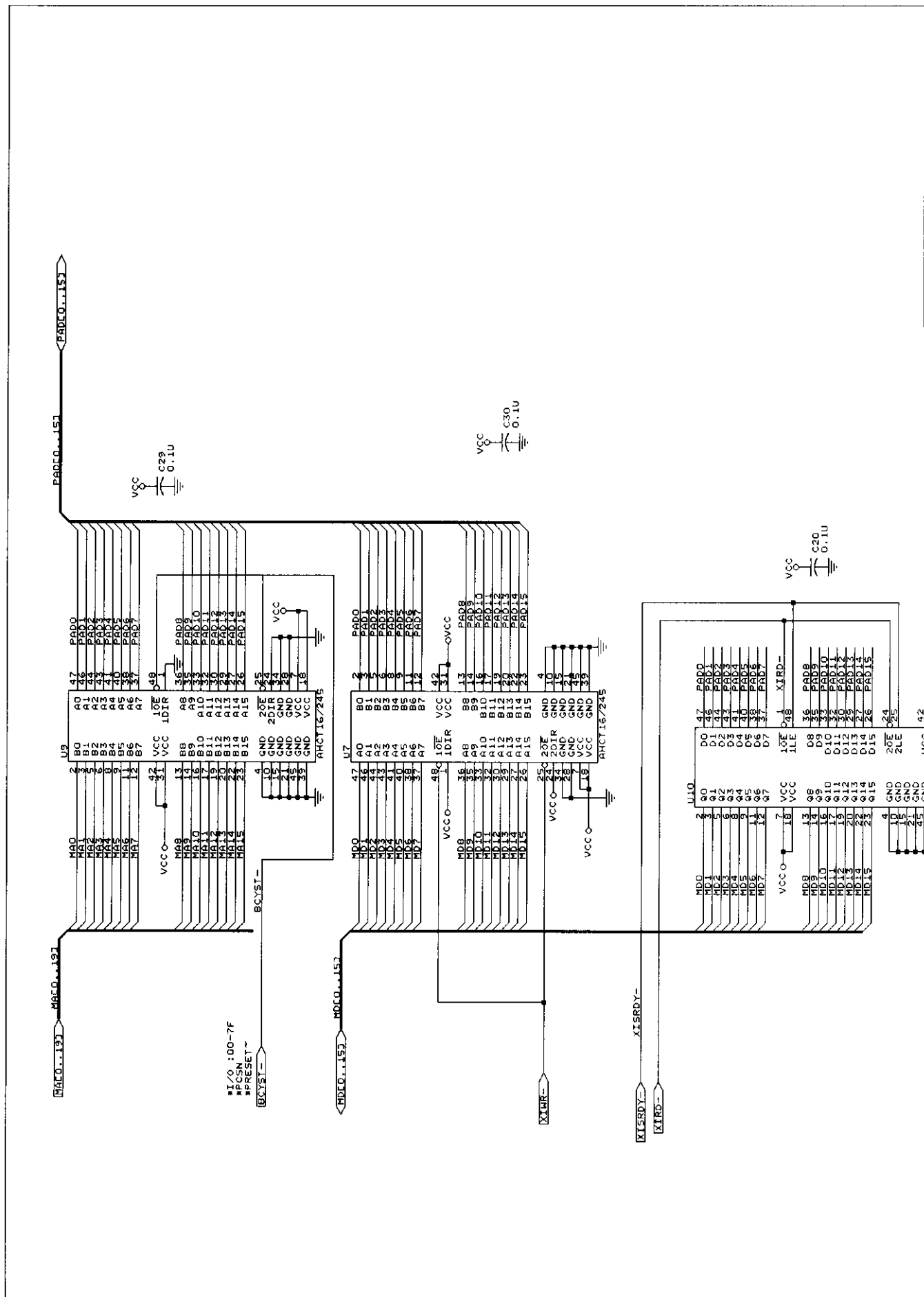
NOTE : Part value with /T are not used in this and sub schematic files .

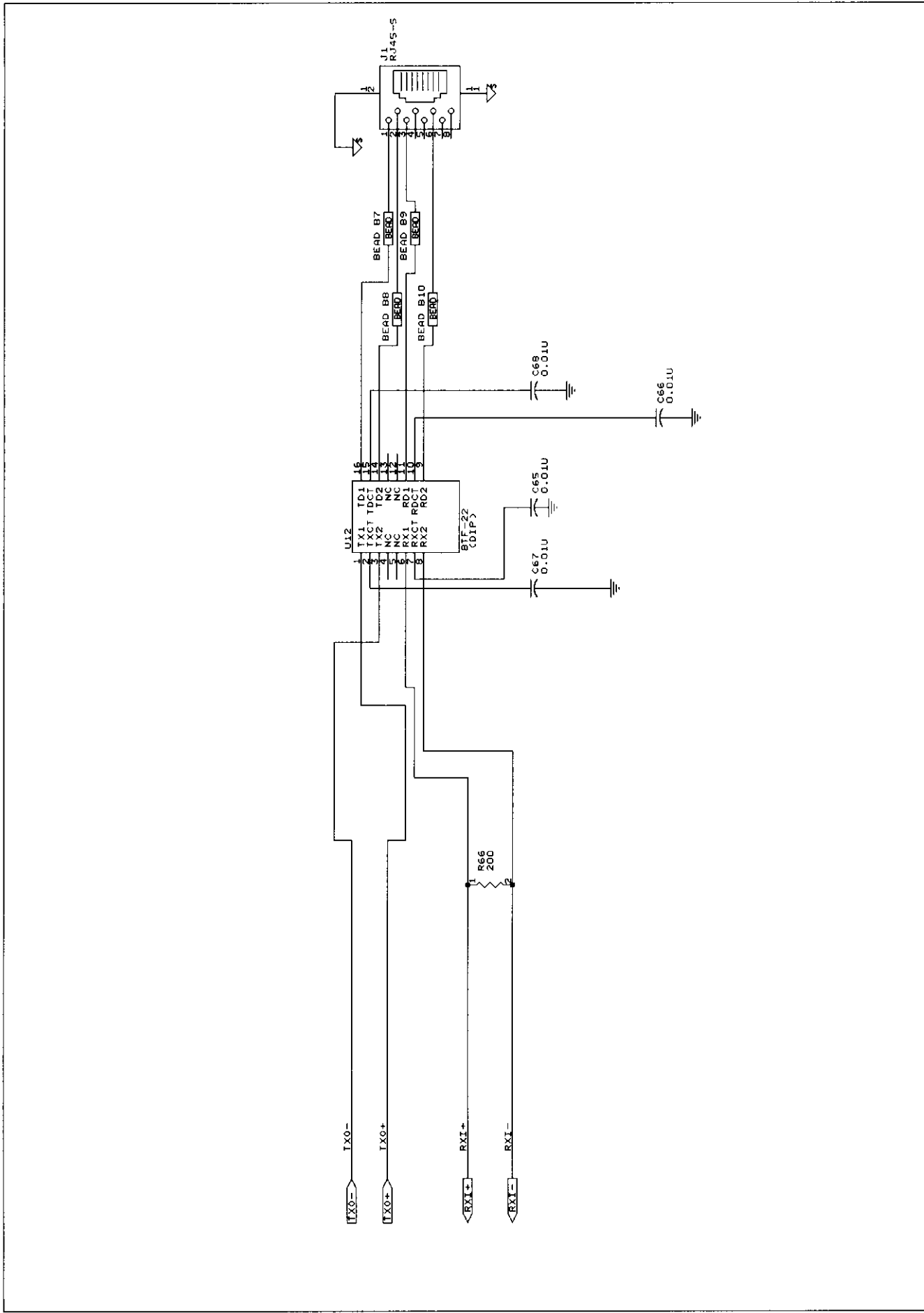


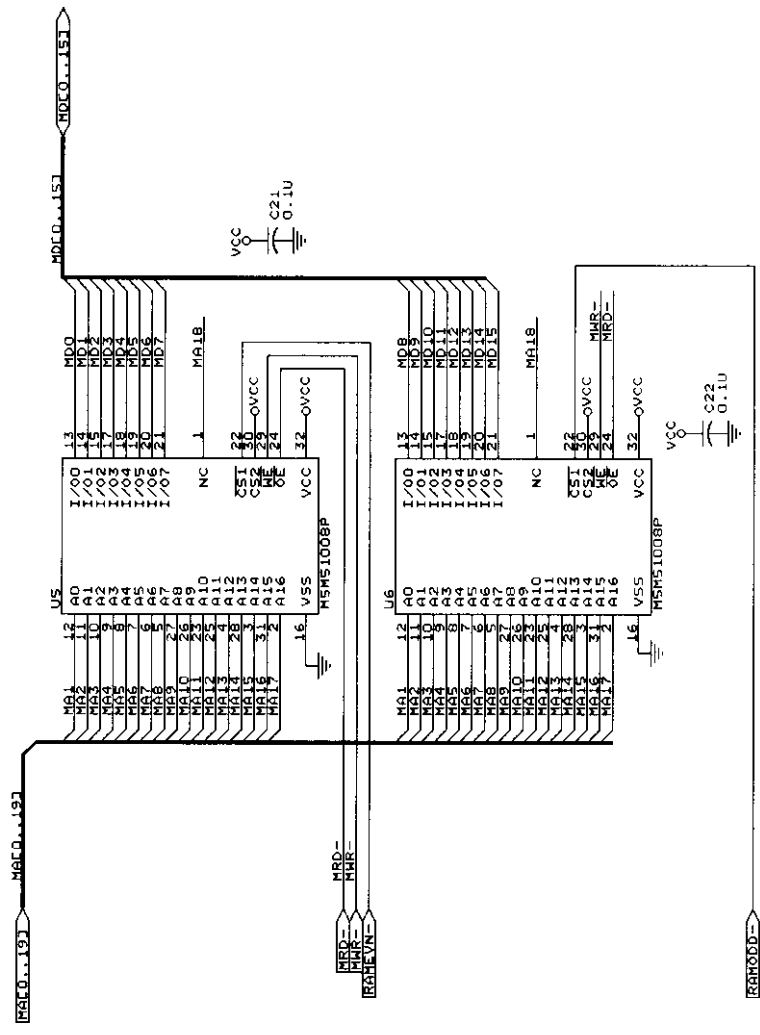
DESIGNED	DATE
CHECKED	DATE
APPROVED	DATE

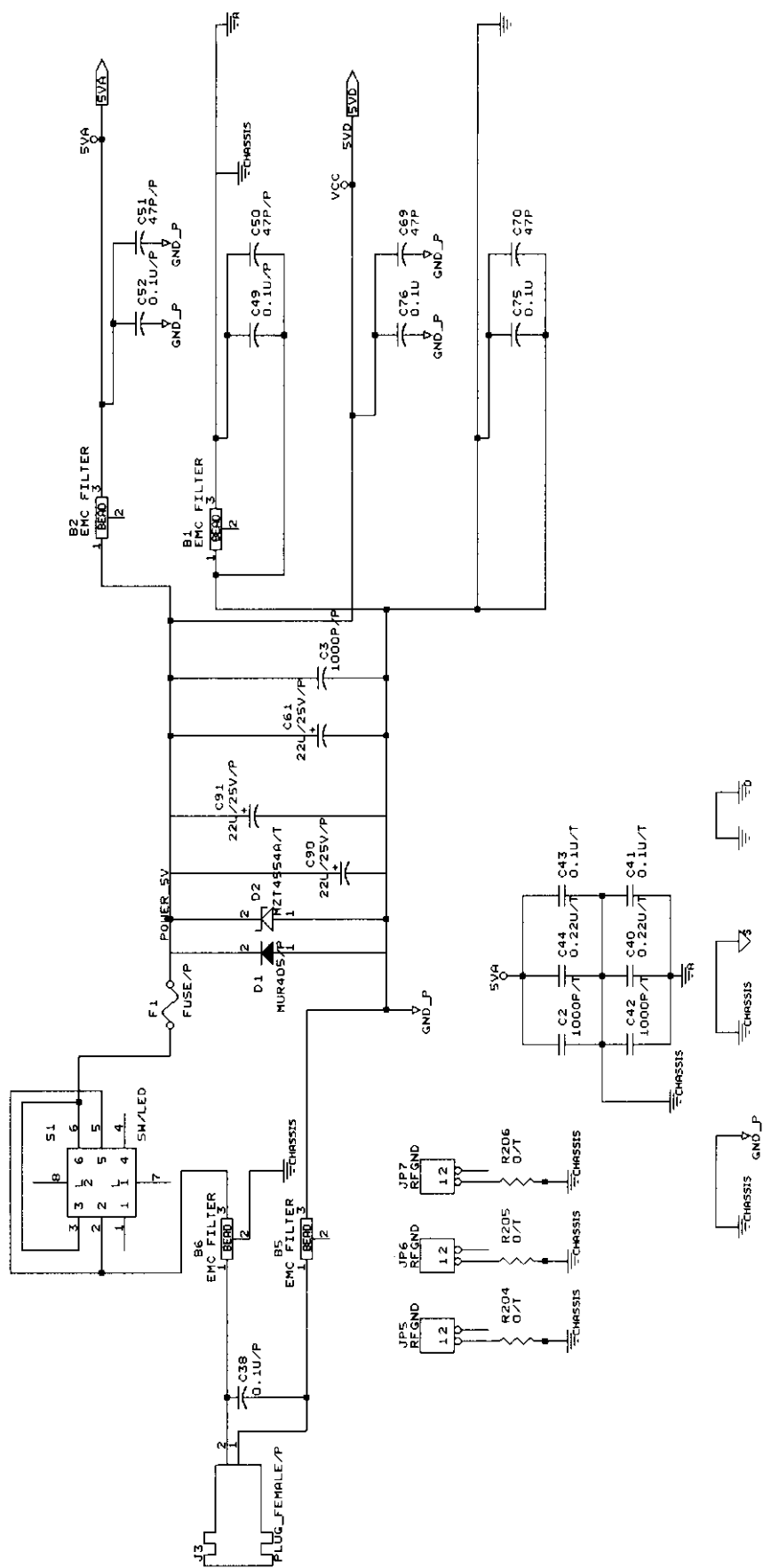
Title	
NATIONAL DATACOMM CORPORATION	
Part Number	CableFREE Hub BLOCK DIAGRAM
Size	Document Number 97-SCF611A
REV	X3

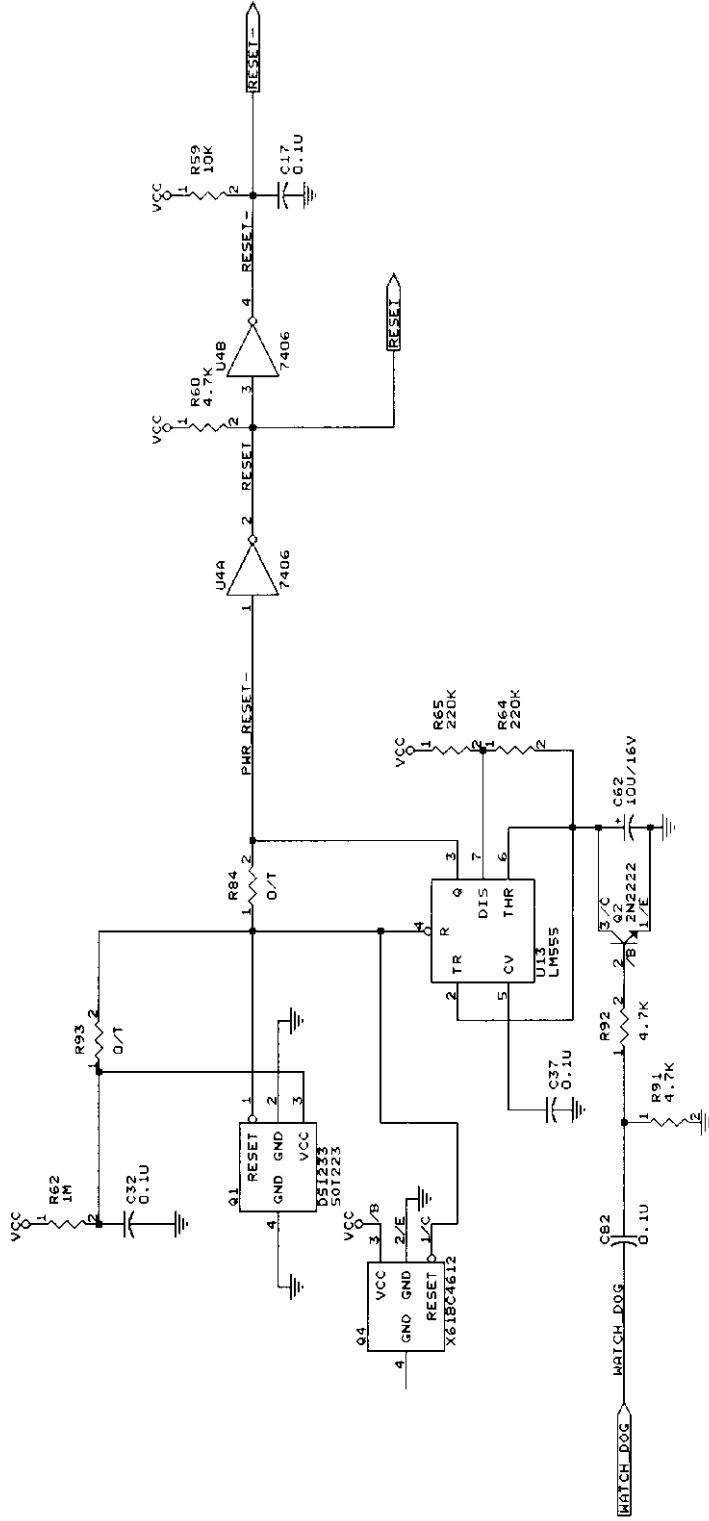


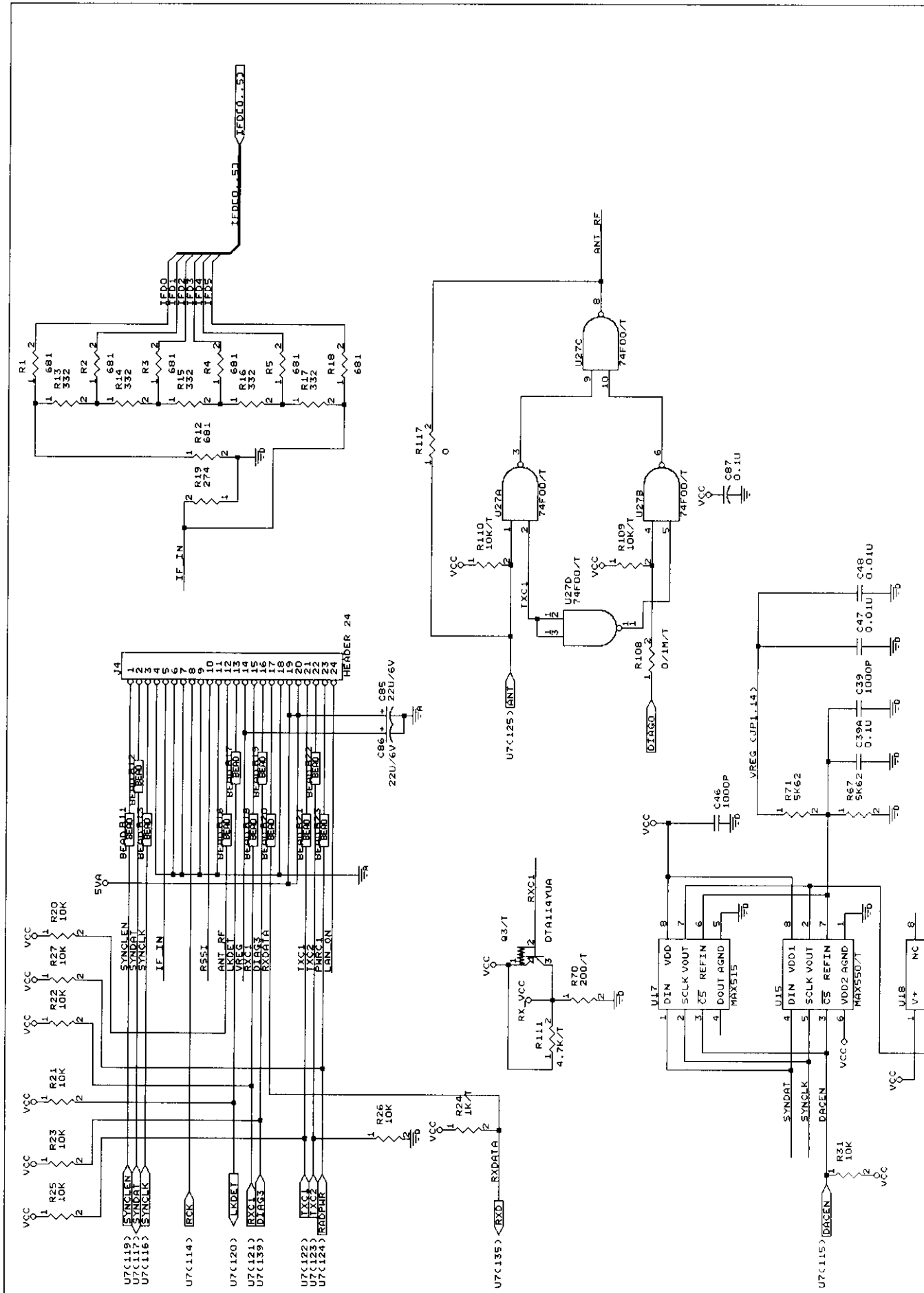






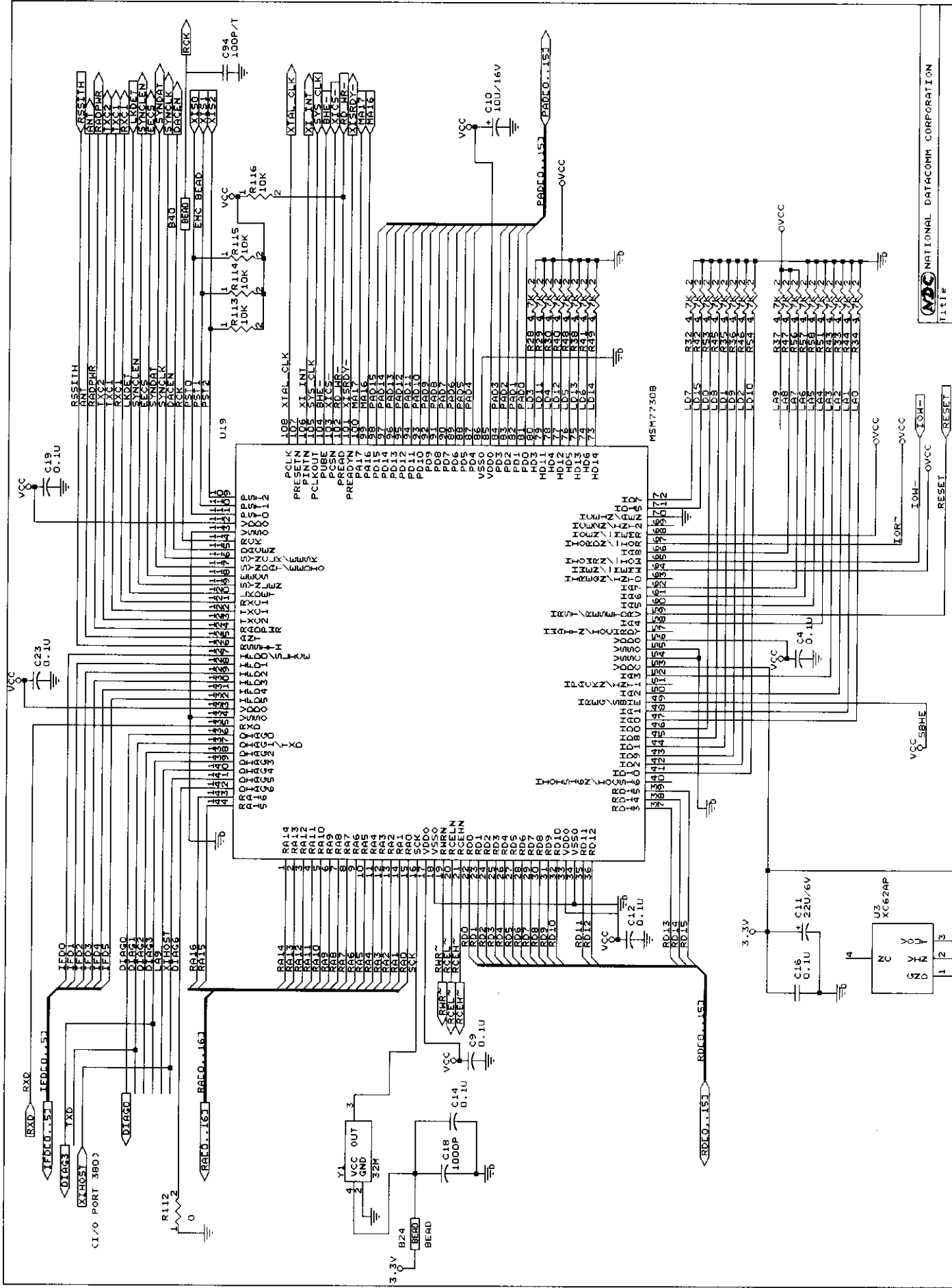




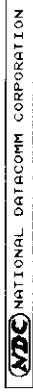
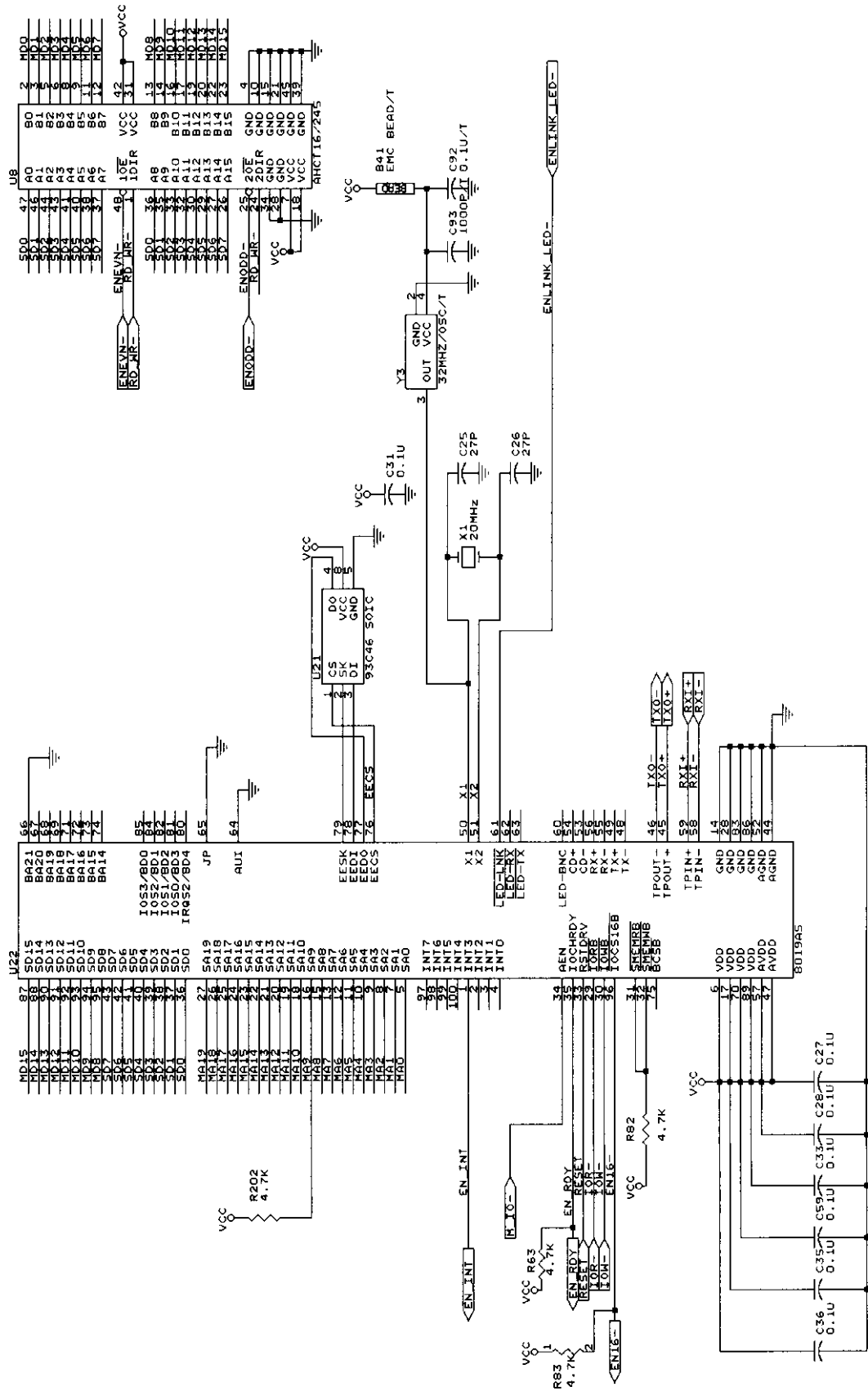


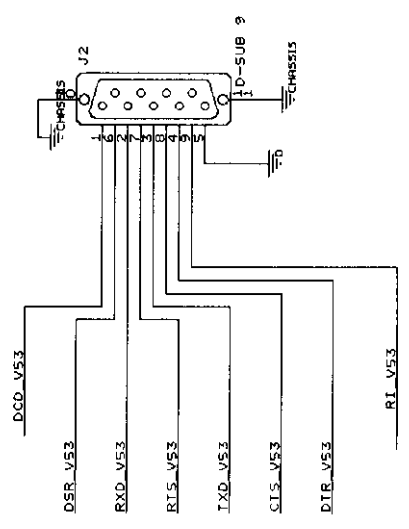
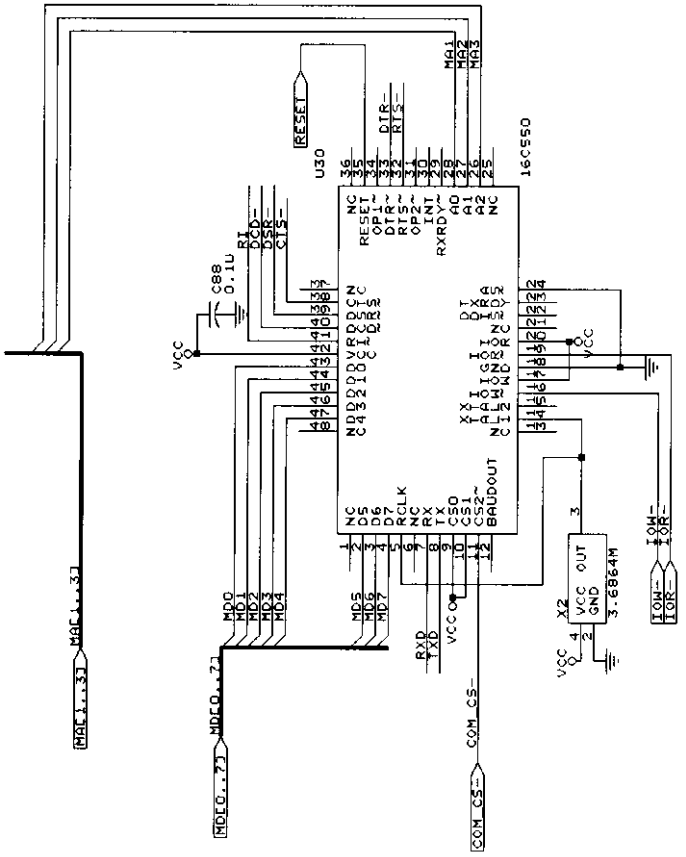
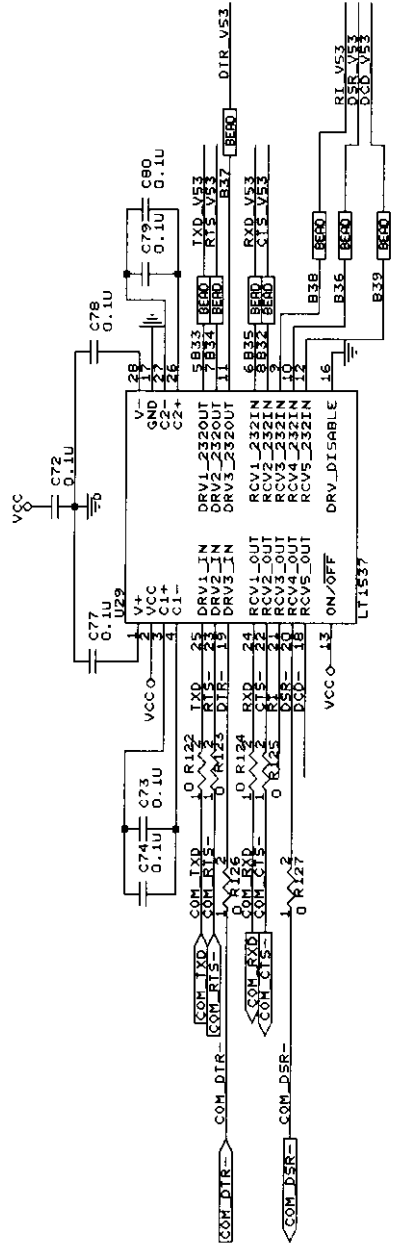
Title		Radio Interface	
Size		Document Number	
REV		97-50F611A	
X2		X2	

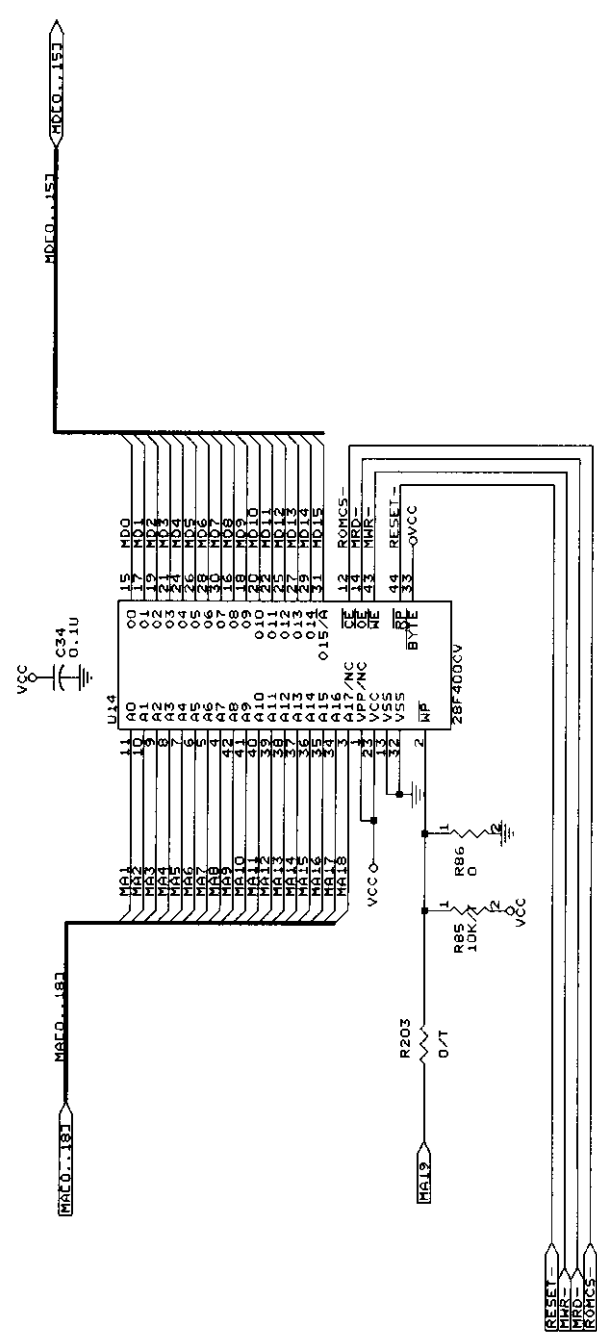
Title		Radio Interface	
Size		Document Number	
REV		97-50F611A	
X2		X2	

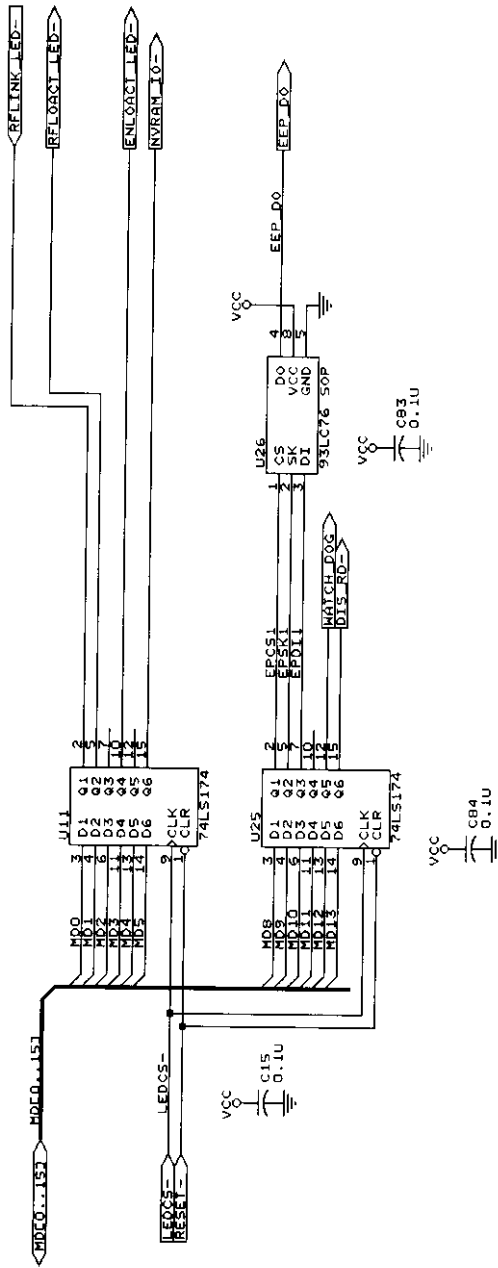


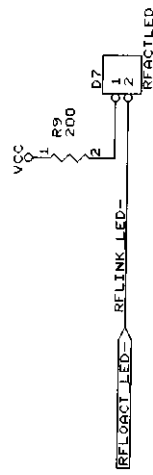
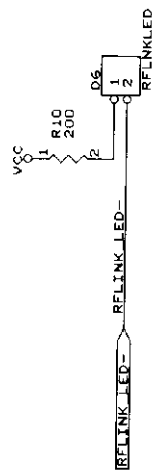
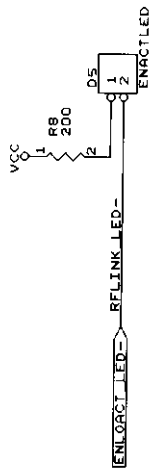
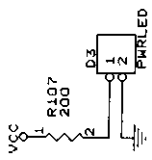
MDIO...153
 MAC0...197



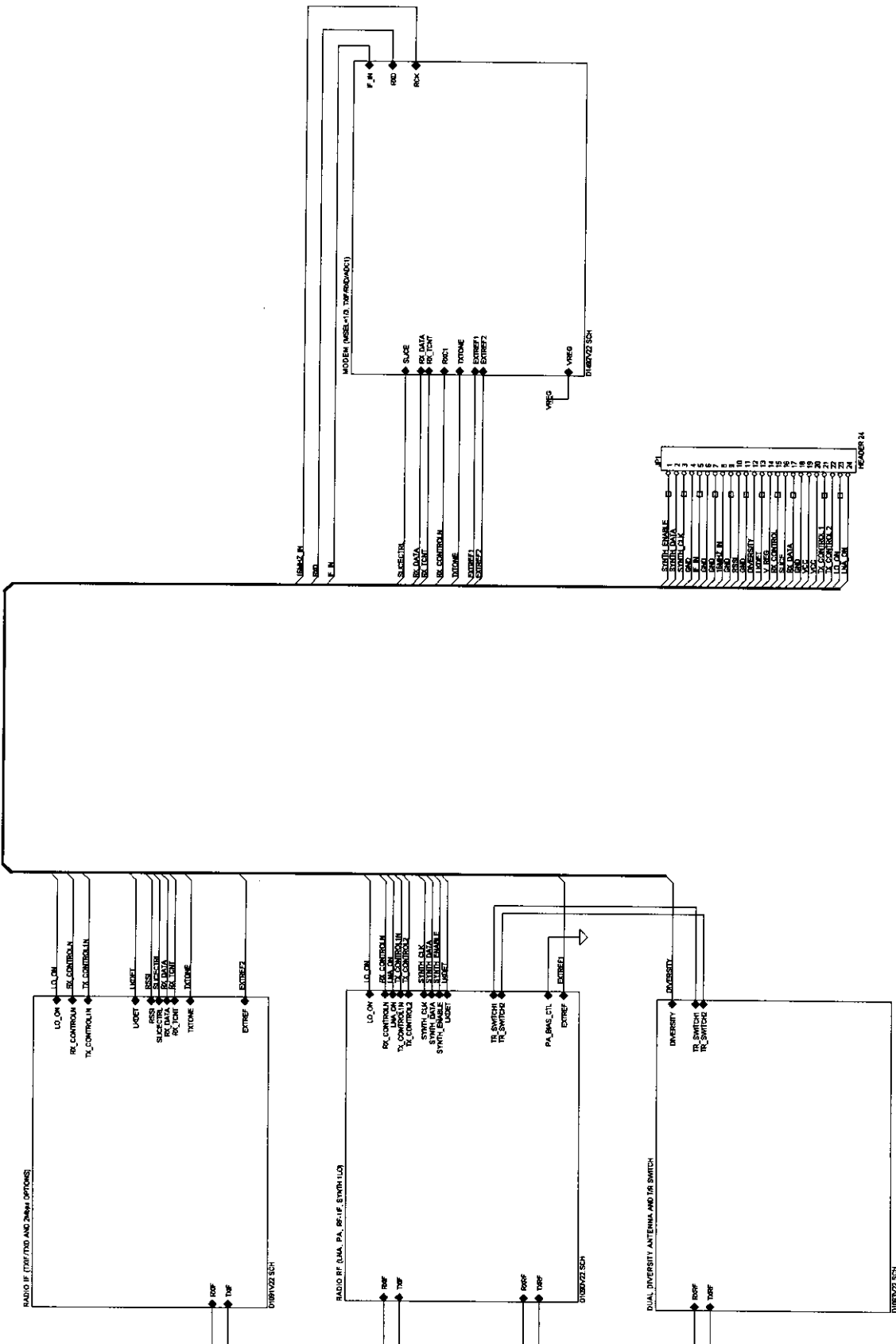




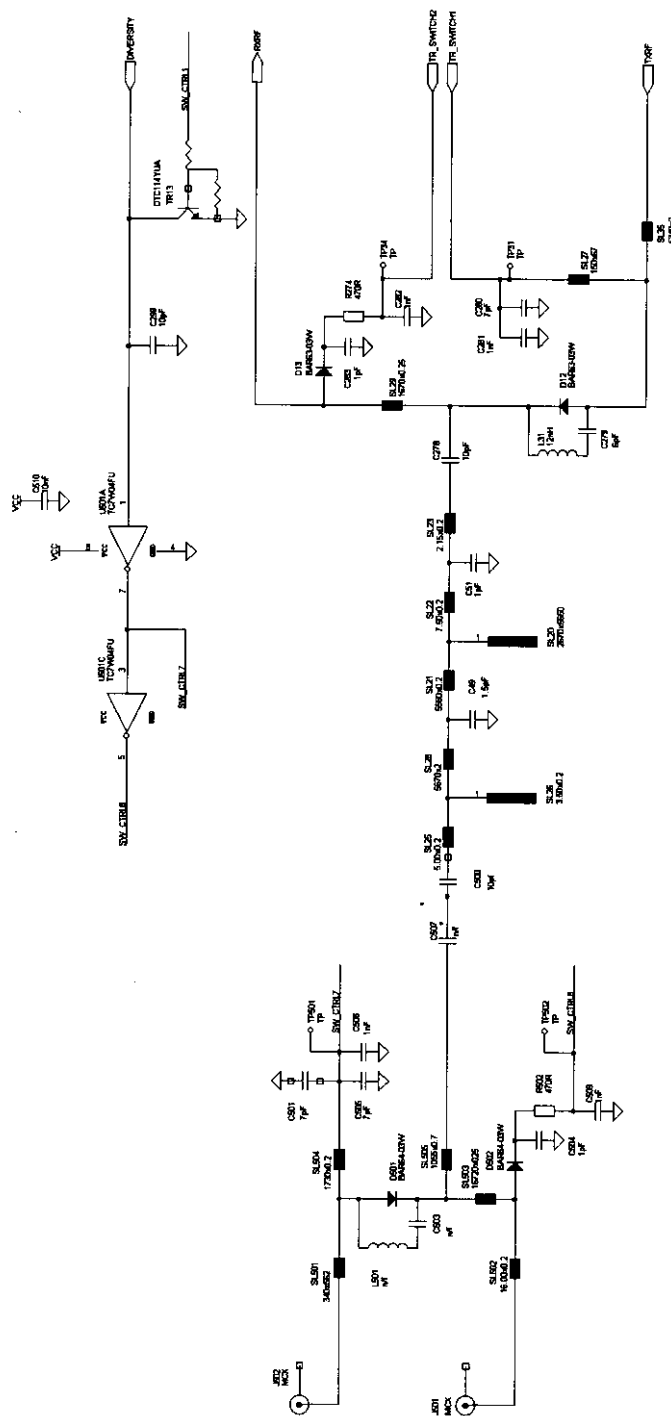


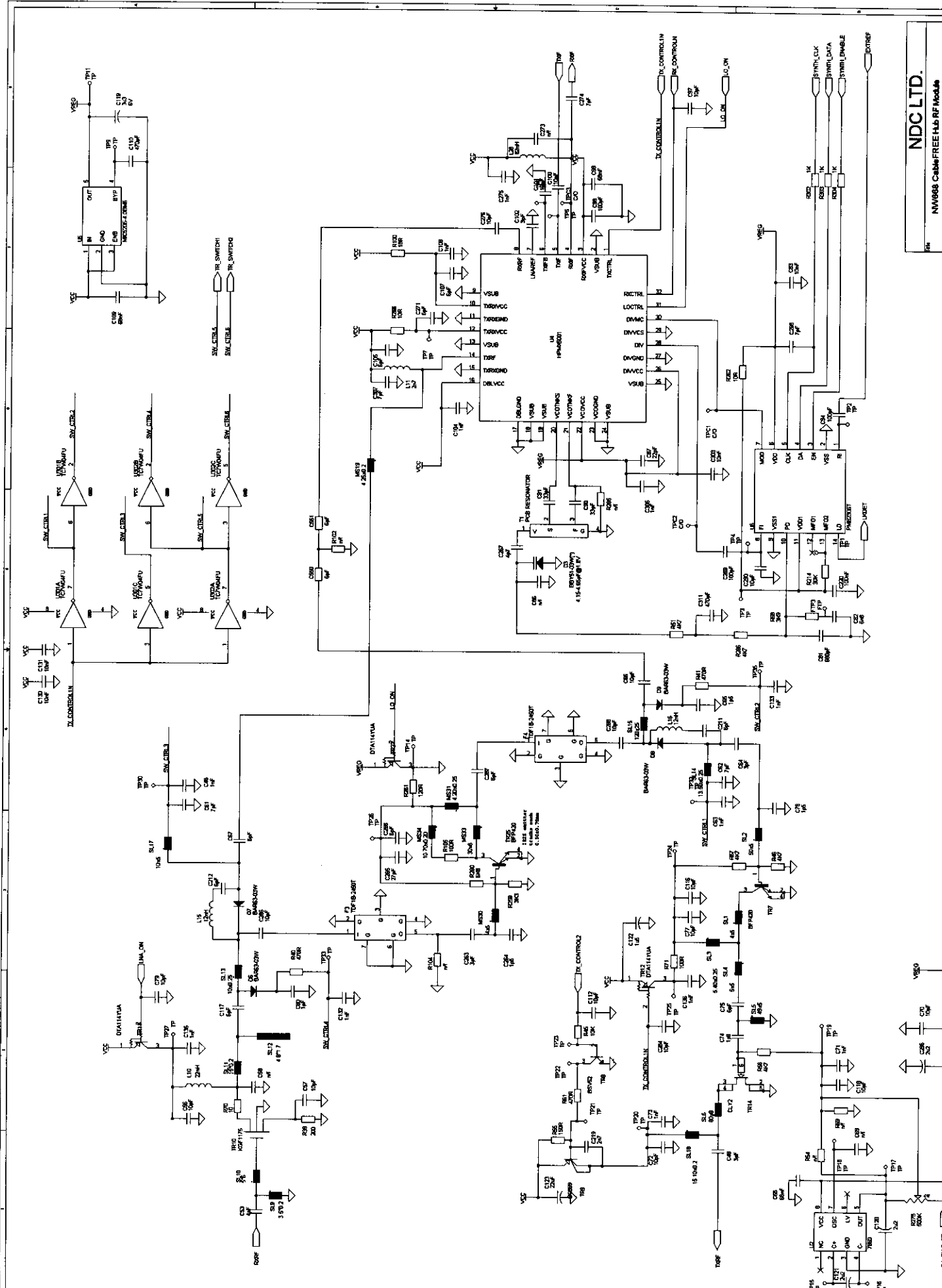


Program, Base, Control



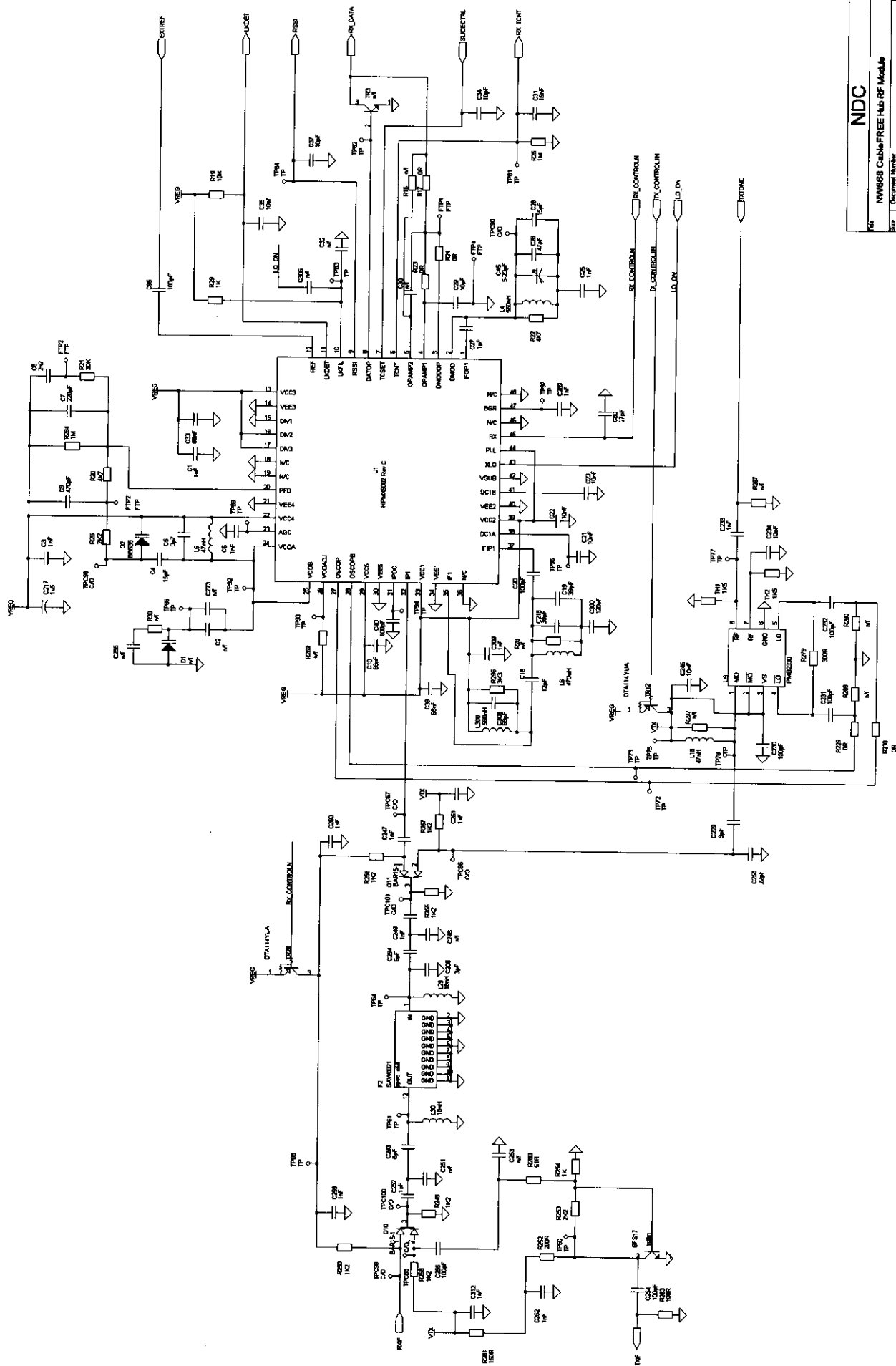
Pin	Signal
1	TXREF1
2	TXREF2
3	TXREF3
4	TXREF4
5	TXREF5
6	TXREF6
7	TXREF7
8	TXREF8
9	TXREF9
10	TXREF10
11	TXREF11
12	TXREF12
13	TXREF13
14	TXREF14
15	TXREF15
16	TXREF16
17	TXREF17
18	TXREF18
19	TXREF19
20	TXREF20
21	TXREF21
22	TXREF22
23	TXREF23
24	TXREF24
25	TXREF25
26	TXREF26
27	TXREF27
28	TXREF28
29	TXREF29
30	TXREF30
31	TXREF31
32	TXREF32
33	TXREF33
34	TXREF34
35	TXREF35
36	TXREF36
37	TXREF37
38	TXREF38
39	TXREF39
40	TXREF40
41	TXREF41
42	TXREF42
43	TXREF43
44	TXREF44
45	TXREF45
46	TXREF46
47	TXREF47
48	TXREF48
49	TXREF49
50	TXREF50
51	TXREF51
52	TXREF52
53	TXREF53
54	TXREF54
55	TXREF55
56	TXREF56
57	TXREF57
58	TXREF58
59	TXREF59
60	TXREF60
61	TXREF61
62	TXREF62
63	TXREF63
64	TXREF64
65	TXREF65
66	TXREF66
67	TXREF67
68	TXREF68
69	TXREF69
70	TXREF70
71	TXREF71
72	TXREF72
73	TXREF73
74	TXREF74
75	TXREF75
76	TXREF76
77	TXREF77
78	TXREF78
79	TXREF79
80	TXREF80
81	TXREF81
82	TXREF82
83	TXREF83
84	TXREF84
85	TXREF85
86	TXREF86
87	TXREF87
88	TXREF88
89	TXREF89
90	TXREF90
91	TXREF91
92	TXREF92
93	TXREF93
94	TXREF94
95	TXREF95
96	TXREF96
97	TXREF97
98	TXREF98
99	TXREF99
100	TXREF100

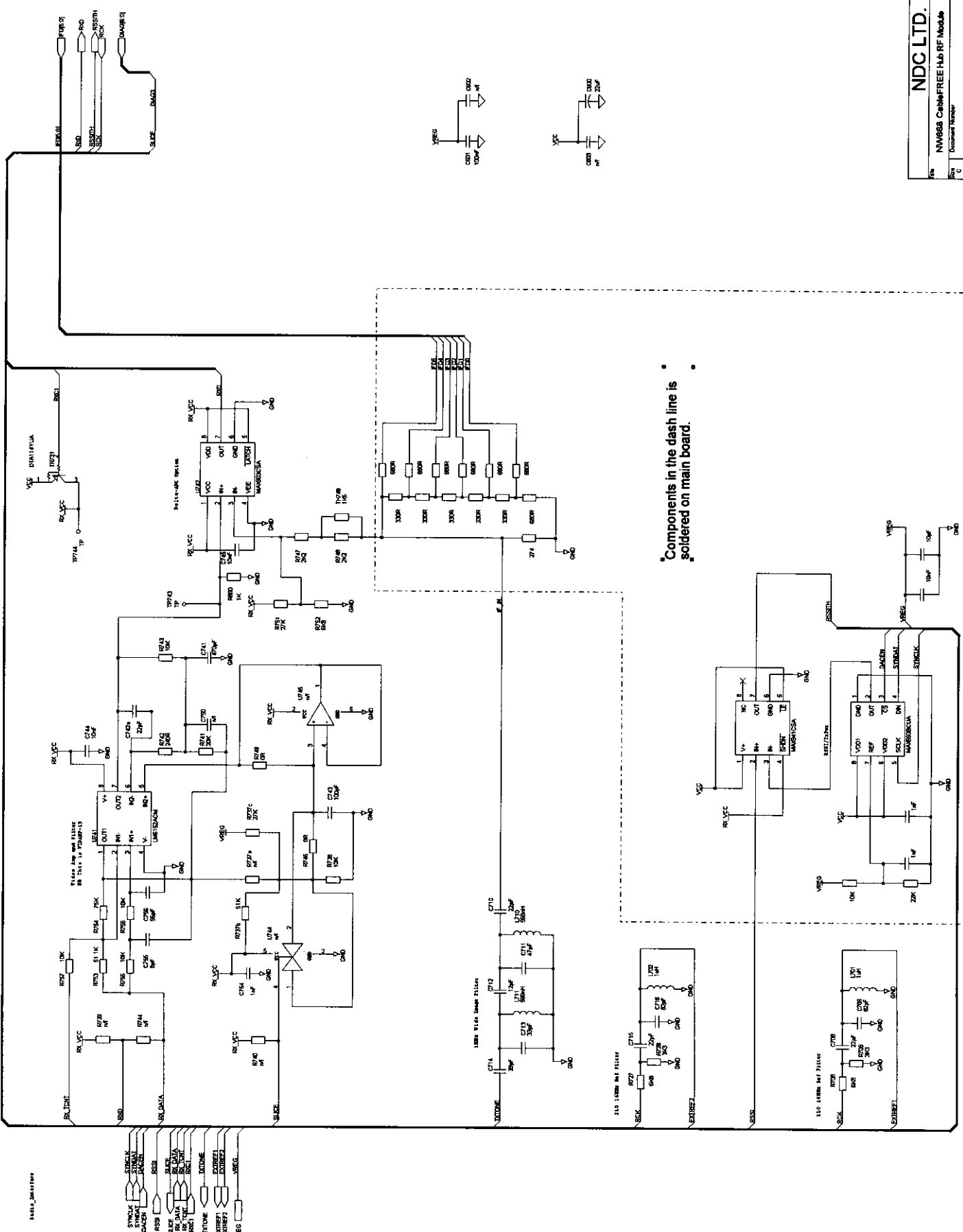




NDC LTD.
 NW666 Cable-Free HLB RF Module
 Document Number
 001 WOODBRIDGE, ONTARIO, CANADA L3R 9W8

PA, BNC (7)
 CONNECT TO ANTENNA
 SHEET 11 OF 10





Components in the dash line is soldered on main board.

NDC LTD.	
File	NM668 CableFree Hub RF Module
Size	Incremental Master
U	
Rev	1
Doc No.	Doc No. 1000-1000-1000
AX1	