

BPM70MSA

70 Mhz LC Bandpass filter with 5 Mhz bandwidth

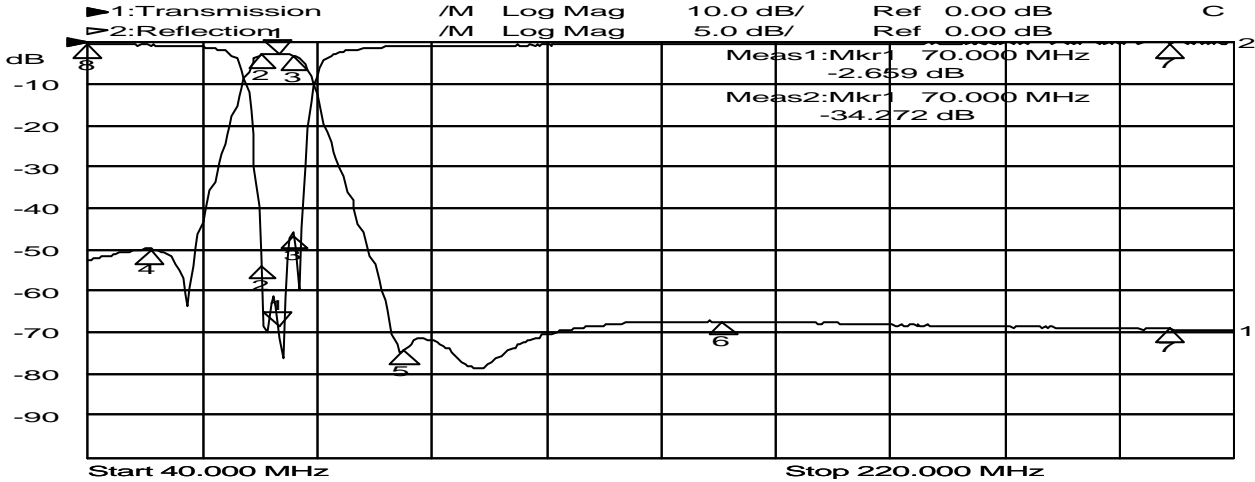
sold by:

SHF MICROWAVE PARTS COMPANY

7102 W. 500 S.

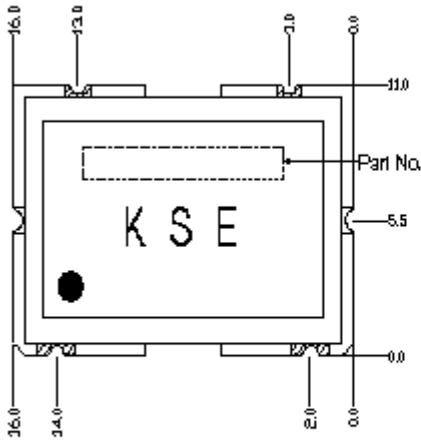
La Porte IN 46350 USA

www.shfmicro.com

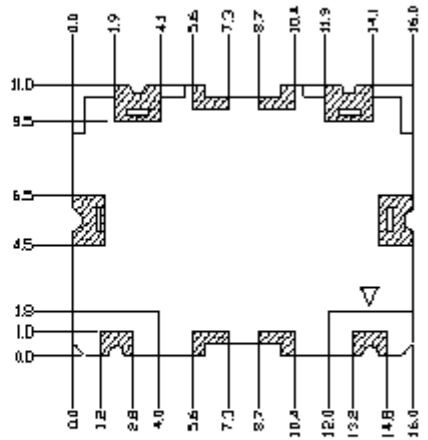


1:Mkr (MHz) dB	2:Mkr (MHz) dB
1> 70.00 -2.659	1> 70.00 -34.272
2: 67.50 -3.030	2: 67.50 -26.900
3: 72.50 -3.189	3: 72.50 -23.295
4: 50.00 -49.876	
5: 90.00 -74.133	
6: 140.00 -67.319	
7: 210.00 -69.066	7: 210.00 -0.106
	8: 40.00 -0.214

TOP VIEW



BOTTOM VIEW



unit:mm

Tolerance: ±0.3mm

● input port