

THE TUNED CIRCUIT

INSIDE THIS ISSUE:

[Click the link to jump to the item]

[October Meeting Program](#)

[The Secretary's Report](#)

[Membership Report](#)

[Future Programs](#)

[Upcoming Swaps](#)

[Club Nets](#)

**The Deadline for
the next TC:
Monday
October 27**

Next Meeting

**7:00 PM October 1st
2025**

at the Tucker Senior Center (see
last page for map and address)
with [Zoom video conference access](#).

Meeting Program - The program
for our meeting will be as
reported on page 6!

The NEXT board meeting *might* be
on Wednesday, October 15th, 2025
via Zoom. Click [here](#) for details .

THE PREZ SEZ

I hope you've all been staying nice and *radio-active!*

At last month's general and planning meetings, we talked about picking up a **multiplexer** (and the filters to go with it). The idea here is simple: multiple radios into one antenna. That means less coax spaghetti, fewer tripping hazards, and a whole lot less head-scratching when someone asks, "*Which feedline goes where?*" Come ARRL Field Day or Winter Field Day, one good multiband antenna could keep all the stations happy at the same time.



For those unfamiliar with the terminology:

A **radio multiplexer** is basically a piece of RF plumbing that lets **multiple radios share a single antenna** at the same time.

Normally, if you had two or three rigs running on different bands, you'd need separate antennas (or a lot of switching back and forth). With a multiplexer, you connect each radio into its own port, and the multiplexer uses **filters** to keep each band isolated. That way:

- Radio A can transmit on 40 meters,
- Radio B can transmit on 20 meters,
- Radio C can listen on 15 meters,

...all through the **same antenna**, and none of them will interfere with each other (as long as they stay on their assigned bands).

So, in plain terms:

- It reduces the need for multiple feedlines and antennas.
- It cuts down on clutter and setup time (great for Field Day).
- It prevents one rig from overloading or frying the front end of another rig.

Think of it like a **traffic cop** at an RF intersection—keeping the signals from crashing into each other while still letting everyone through on their own lane (their band).

(Continued on page 2)

(Continued from page 1)

Of course, as every ham knows, **the antenna makes or breaks the station**. Before we commit, it's worth checking out a few antenna candidates. K8RO suggested the **Barker & Williamson Broadband Folded Dipole**, or we could look at the **DX Commander multiband vertical**, or maybe another solid multiband vertical. My thought is: let's throw a couple of them in the air, fire up **WSPR**, and let the propagation gods tell us which one really talks the talk. Sounds like a fun fall project—and it gives us an excuse to play with more wire and aluminum (as if we ever need one).

If you'd like to brush up on multiplexer tech before we dive in, here are a couple of resources:

- https://lowbandsystems.com/QST_PerfoBox_product_review.pdf
- <https://www.n4nrv.org/the-ins-n-outs-of-multiplexers/>
- https://lowbandsystems.com/Using_High_Performance_Multiplexer_Technology_v1c.pdf

No endorsements here—just some good background reading so we can all avoid the dreaded SWR gremlins. We'll circle back with more details at the October meeting.

73, Dennis/N8MKG

Report of the Secretary

Submitted by Dennis Ruth / AC8JH

Call to Order:

President Dennis/N8MKG called the September 3rd, 2025, LCARC general membership meeting to order at approximately 7:02 PM at the Tucker Senior Center. A Zoom session was also available for those not able to attend in person.

Roll Call:

The following members were in attendance:

Dennis/N8MKG, Gregg/N8GEO, Dale/K8RO, Marty/K8HVI, Lito/K8AJJ, Mike/N5WCS, Tom/WU8C, Don/N8KNS, Tyler/KE8WFY, Tim/AD8JL, Anara/KF8DCK, Steve/KF8BVD, John/N8FYL, Fritz/KE8BFW, Scott/W8CQD, Ken/KD8RJN, Russ/N8HAR, Doug/N8PYN, Don/WN8IZV, Gary/KD8JM, Rick/K8RWM, Ken/N8KC, Dennis/AC8JH, Keith/W8KD, Jim/WI8W

On Zoom: Tony/KD8SRQ, Al/W8TRW, Larry/N4LAK, Bob/KB8QYJ, Ron/KF8CFR, Dave/W8WWP, Phil/KE8KCY

Visitors: Sarah Rousseau, Emergency Management Assistant for Macomb County.

FCC license upgrades: none

June Meeting Minutes: Dennis/N8MKG asked for a motion to approve the June 2025 meeting minutes as posted in *The Tuned Circuit*.

Treasurers Report: Gregg/N8GEO.

(Continued on page 3)

(Continued from page 2)

Total amount in the account is	\$18,561.83
The youth Fund has	\$2279.72
Total available (unallocated) is	\$16,282.11

We received a donation from the widow of Bill Carter/WB8ZJI of some ham equipment worth \$2025.00 that she wanted added to the Youth Fund. A motion was made by Keith/W8KD and seconded by Mike/N5WCS, to approve the Treasurer's report. The motion passed.

Correspondence: Dennis/N8MKG said Hazel Park ARC has a general class session coming up on September 8, 2025, more information is available on the Hazel Park ARC website.

Net Control hosts: Gregg/N8GEO again asked to please help host the on air nets, please help if you can. You can go to our web site and sign up on the list for net control. If you can take 1 net a month that would help with the load and you can also swap nets with someone else. We have 4 to 5 nets a week and the few guys helping really need your help! Pick one night and chip in. Check the web site for help. Thanks for your help.

VE Testing: Gregg/N8GEO. VE testing will be on Sept 15, 2025, at the Tucker center. Gregg will not be there. If you want to be a VE check the ARRL web site for how to become certified. ARRL wants to go digital for VE testing and now LCARC is ok and ready.

Monthly Dinner out: The September dinner out is at El Charro Mexican restaurant on 14 Mile Rd. The date is September 23, 2025. He will put the next dinner out information on the reflector. Please reply by Sunday, Sept 21.

Tuned Circuit: John/N8FYL We have 93 members of which 4 are life members and 13 are getting the first-year free membership.

QSL Report: Dale/K8RO reported that he logged 114 QSO's. this month.

Net points: Dennis/N8MKG passed out the certificates to Gary/KD8JM 50 pts, Dave/WJ8R 200 pts, Tony/KD8SRQ 250 pts, Dave/N6WY 300 pts, Don/N8KNS 450 pts, Dave/W8WWP 500 pts, Lito/K8AJJ 600 pts, Mike/N5WCS 900 pts, Gregg/ N8GEO/2850 pts, Tom/ WU8C 5750, 5800, 5850 pts.

Upcoming Swaps: Doug/N8PYN, said the next swap is GM Swap at Packard Proving Grounds, then Findlay and Adrian. USECA swap is October 19, 2025, from 8am to 1pm.

ARRL Report: No report this month.

Technical Committee Report: Doug/N8PYN said he went to the repeater site and installed his 440 MHz FM repeater. Its output frequency is 442.450 with 100hz pl. Dennis /N8MKG said that the backup generator for the repeater is not feasible at this time so we will keep looking into it.

(Continued on page 4)

(Continued from page 3)

Swap Report: Russ/N8HAR stated that we are 3 months away from our swap December 7, 2025, at 8 am to 12pm at the Balkan American Community Center on 16 Mile Road between John R and Rochester Road. Russ will need volunteers to help with setting up, etc.

Radio Raffle: Gregg/N8GEO said we sold 30 tickets so far this summer. We got a great deal on the radio thanks to Russ/N8HAR. We spent \$865.00 on the radio for this year's raffle.

Siren Testing Update: Marty/K8HVI provided an update on the Macomb Count Siren Testing, 11 sirens were visited. One siren failed. It lasted only a short while. There are no high priority sirens to be tested next month, and the new sirens to be tested are listed on the website. You can sign up there to help. Marty said they will have lunch after the next siren test at Main Street Grill in New Haven. Everyone is invited to come out and help test the sirens and go out to lunch at about 1:30 pm. Sarah Rousseau will give a presentation on the Macomb county sirens today after our meeting.

Field Day Update: Dale/K8RO gave an update on ARRL field day. The GOTA station was a huge success. Lito set up the GOTA station. Anara/KF8DCK worked as Station Chair and got over 10% of all points herself. **ATA GIRL ANARA!**

Marty set up the satellite station and they talked to an astronaut on the ISS.

Dale said that they tested using station bandpass filters and we will be looking into it some more.

We had 26 visitors and 16 kids this year which was a great showing. The weather was much better than last year, and everyone had a good time. John/N8FYL had the scores listed in *The Tuned Circuit*.

New Business: Lito/K8AJJ brought up the need to address the WiFi issue we had at field day. Lito will research what we need to do.

Dale/K8RO wants to look into band pass filters or a multiplexer for both ARRL and Winter field day. A motion was made by Dale to spend up to \$2000.00 on equipment to solve this interference problem and seconded by Ken/N8KC. The motion passed. If we spend over \$1000.00 the club will publish the decision and vote on it at next month's meeting.

Rick/K8RWM asked if we know where we will hold Winter Field Day? Gregg/N8GEO will look into it.

Old Business: Nothing discussed.

Board Meeting: Dennis/N8MKG said the next board meeting is September 17, 2025, at 7:30 pm, everyone is welcome.

Close: closed the meeting at 7:54 pm

Board Meeting Minutes

Submitted by Dennis/AC8JH

Meeting Held on Zoom: President Dennis/N8MKG called the September 17^h 2025 LCARC board meeting to order at approximately 7:46 PM

Present were Dennis/N8MKG, Gregg/N8GEO, John/N8FYL, Russ/N8HAR, Tom/WU8C, Mike/N5WCS, Dale/K8RO, Marty/K8HVI, Dave/W8WWP, Dennis/AC8JH.

Treasurer's Report: Gregg/N8GEO.

Total amount in the account	\$18,470.71
-----------------------------	-------------

Membership Report: John/N8FYL, we have 94 paid members. Renewal notices have been emailed and dues are due in October.

Repeater update: Dale/K8RO said we have made some progress updating the repeater hardware but we have just started. We have started work on the replacement of the RC85 controller. Doug/N8PYN has installed his 440 MHz FM repeater, it's output frequency is 442.450 MHz with 100hz pl. and uses the backup antenna.

Field day Antenna and Multiplexer for field days: Dale/K8RO and Gregg/N8GEO are looking into the into band pass filters or a Multiplexer for both summer and winter field day. Dale/K8RO is looking into a multi-band antenna for use with a multiplexer. We could spend about \$1900.00 and will publish the information in *The Tuned Circuit* and the club will vote on it at next month's meeting.

VE Testing: Gregg/N8GEO. VE testing was Sept 15, 2025, at the Tucker center. Gregg was not there. There was a miscommunication regarding the location of the door key. No candidates showed up to take a test. Gregg thanked all the VE's who showed up.

Scheduling dates at Tucker Senior center: Gregg/N8GEO has submitted all the dates when we would like to use the senior center in 2026 for meetings, winter field day, QSO party, and VE sessions. He has not received a reply yet.

Microphone issues at club meetings: Dale/K8RO is working on microphone issues for club meetings. He bought a USB audio card for the laptop and it should be working ok now. Dale will diagram the equipment connections to make it easy to set up at meetings.

Swap Report: Russ/N8HAR updated us on sending out 3500 emails to hams and clubs within a 50-mile radius of the swap location. He is looking for help with setting up, working the kitchen, parking, tables and the swap. Please help if you can and contact Russ.

Siren Testing Update: Marty/K8HVI provided an update on the Macomb County Siren Testing. 14 sirens were visited. One siren failed. They had lunch after the test at Main Street Grill in New Haven. Everything went well. Sarah Rousseau enjoyed the meeting where she presented on Macomb County Emergency Management & Communications.

ARRL Legal rights of American Hams: Dave/W8WWP spoke about the [ARRL Member Bulletin of September 17](#) on soliciting help to change the legal rights of American hams. Dave posted the bulletin on LcRadioClub@groups.io. [Be sure to click "Show Quoted Text" to see the bulletin.]

Meeting adjourned at 8:25 PM.

OCTOBER 1ST MEETING!!!

From Activities Manager Rick/K8RWM

Mike Slupinski, [N8VDZ](#), will make a 30 minute (or so) presentation about the Macomb County ARPSC.



Membership Report

Life commitments have impacted Clint/WB8ORM's available time for ham radio and he has elected to resign as a member in good standing. That reduces our member count to 94 {90 regular members of whom 13 are "first-year free" members, and four Life members.}

All members whose membership is paid up ONLY to October 31, 2025 should have received the 09/13/2025 email from me with renewal instructions.

John / N8FYL – 09/24/2025



The next LCARC administered VE test session is scheduled for November 17, 2025 at the Tucker Senior Center.

Doors open at 6:00 PM and testing start at 6:30 PM
VEs Please be there by 5:45 PM.

Contact Gregg Crump n8geo.ham@gmail.com

If you are interested in becoming a VE give Gregg a call at 586-738-2487



Zoom Meeting Details – effective 03/09/24



Join Zoom Meeting (Membership & Board Meetings)

<https://us06web.zoom.us/j/83614331186?pwd=vweBsNgCIXtuP14fvVGWspjbiUR6Ua.1>

Meeting ID: 836 1433 1186 Passcode: 14708

Passcode which is also in the pwd= above.

[Join Zoom Meeting](#) is the link for the actual meetings.

With this link, you should be able to create a bookmark in your browser, and then you can use that each month, as this link will not change for the rest of the year.

Mux/Filter system for use during Winter and ARRL Field Day

Information from Gregg/N8GEO – Diagram by John/N8FYL

Hey everyone, at last month's meeting we discussed the purchase of a mux/filter system to be used at Winter Field Day and possibly at summer field day.

This system will allow us to use up to six rigs on one antenna. Sounds good, right!

Below is a brief discussion (please follow the link included). This is from an article that was printed in the QST magazine a few years ago.

Here is a very brief description of the equipment needed for set up.

This set up includes:

6 HF Band-pass filters, 2 HF multiplexers, 1 HF split diplexer

Below is a suggested way to set up this system. You can use coax between the units if wanted.

The filters are on the left and the mux is on the right. You would plug the rigs into the filters, the filters into the mux (shown), and the mux plugs into splitter (NOT SHOWN). Then the single antenna is attached at the output of the splitter. [See diagram on next page. Editor] As you can see this set up is for 10/15/20. The same like set up would be used for 40/80/160 filters.



We would need the following.

From VA6AM Manufacturer (DX Engineering)

6 HF Band-Pass Filters (150 Watts each) LP-BPF-[10,15,20,40,80,160]	6 x \$166 = \$996
2 HF Multiplexers (200 Watts Each) LP-TR-101520	\$283
LP-TR-LBANDS 40/80/160	\$283
1 HF Split Diplexer LD-DIP-SPLIT (20/15/10 meters / 160/80/40 meters)	\$262
TOTAL (not including taxes and shipping)	\$1824

QST Article March 2017 pages 55,56,57

<https://edition.pagesuite.com/html5/reader/production/default.aspx?pubname=&edid=7a816770-7b2c-4fca-a0f9-af0cbed97669&pnum=58>

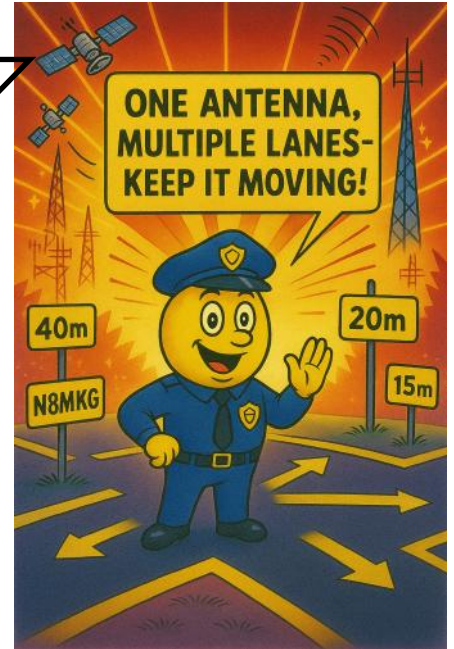
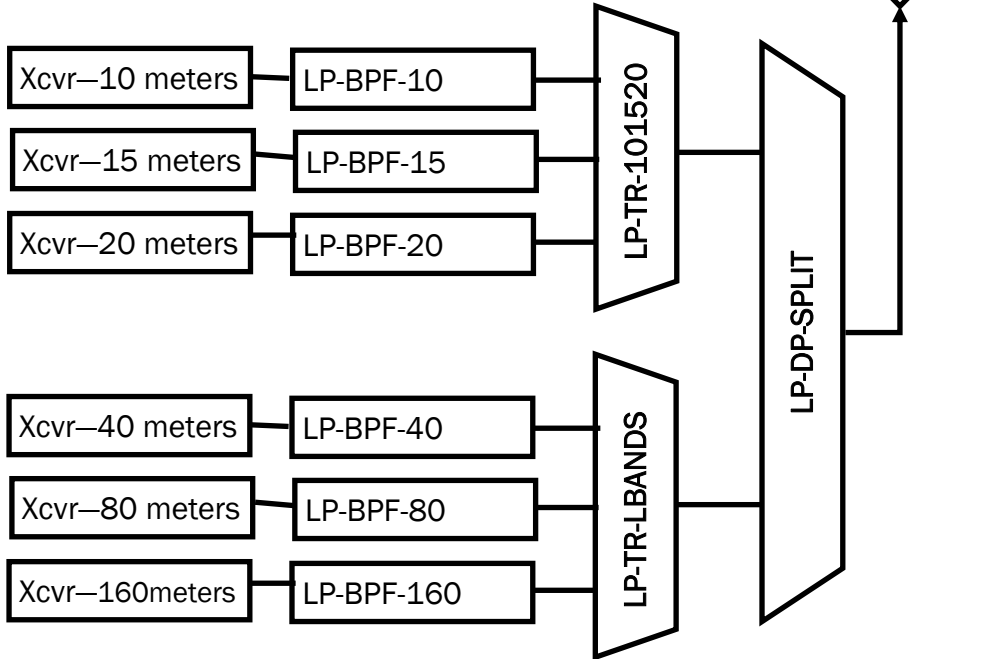
The club requires the following steps be taken when purchases are over \$1000.00.

1. Expense to be discussed at a club meeting (September 2025)
2. Published and sent to club members (Current)
3. Voted on at the next club meeting (October 2025).

The current request is that the club approves to spend up \$2000.00 for the above equipment.

Hope to see you at the club's meeting in October.

Here is a diagram of the maximum configuration of the proposed band-pass filters and multiplexers with one multi-band antenna. An alternate configuration can be made with a suitable antenna connected to each LP-TR.



Do you recall the “traffic cop” mentioned in *The Prez Sez*? Well, here he is!

2025/2026 LCARC club dues are due **NOW**

Bring your money/check and either
the pre-filled form that was sent out (email) in mid September
OR

the Membership Request form on page 15

to the club meeting and give them to our Treasurer Gregg, N8GEO,
OR remit your payment as instructed on either form.



LCARC Christmas Party



Information supplied by Gregg/N8GEO

The LCARC Christmas Celebration will be held on **Wednesday December 10, 2025** at 6 PM.

Location will be the **Aspen Restaurant**
at **20333 Hall Rd, Macomb, MI 48044** (42.629750 -82.919060).

There will be 3 entries available to pick from, Chicken, Steak and Fish. There will be more information available once I get the contract. All non alcoholic drinks are included.

Alcoholic drinks are available at your cost.

Your cost is \$25.00 per person for dinner and desert.



ARRL Member Bulletin



[ARRL Home Page](#)

[ARRL Member Bulletin Archive](#)

September 17, 2025

YOU CAN HELP US

CHANGE THE LEGAL RIGHTS OF AMERICAN HAMS

The ARRL is focused on reducing legal restraints on the ability of American Amateur Radio Operators to engage in the active practice and enjoyment of Amateur Radio.

One of the most insidious and increasing threats to the survival of Amateur Radio and our ability to serve our communities and Nation, as we are required to do by Federal regulation, is the proliferation of private land use restrictions that prohibit the installation of outdoor antennas and that sometimes actually deny Federally licensed Amateurs from operating any amateur radios, regardless of where their antennas are located – in their attics, hidden in trees, or mounted on their vehicles.

Federal law – since 1996 – has guaranteed to every American – except Amateur Radio Operators – the right to erect antennas outside or on their residences for the purpose of TV reception, satellite TV and internet access, wireless internet access, and even wireless internet redistribution. But Amateur Radio operators are denied the equal right to erect comparable antennas.

Since 2005, Federal law has also guaranteed to every American the right to proudly display the American Flag by installing flagpoles in their yards. But, despite that right to install vertical poles in their yards – American Radio Amateurs are denied the right to use those vertical flagpoles as vertical antennas.

We believe the denial – to licensed Amateur Radio Operators – of the rights guaranteed to all non-Amateur Radio licensed American homeowners – the right to install antennas on the land they own – is without justification and should not be permitted to continue.

To eliminate these private land use restrictions, the ARRL has worked over the past several years with our elected officials to draft Congressional legislation – H.R. 1094 in the U.S. House of Representatives and S. 459 in the U.S. Senate – that, when passed will extend to all Hams the right to operate from their homes and the right to install antennas on the land they own. We have bipartisan support for this legislation.

BUT, WE NEED YOUR HELP TO PASS THIS LEGISLATION!!!

How can you help? By sending a letter to your Representative and Senators asking that they co-sponsor and support H.R. 1094 and S. 459.

How can you send these letters? It is easy.

Go to – <https://send-a-letter.org/hoa/> – enter your call sign and click on "Send My Letters" and your letters will be delivered to our Washington legislative team for hand delivery to your Representative and Senators.

(Continued on page 10)

(Continued from page 9)

Does your individual letter matter? **YES.**

Your Representative and Senators need to know that the passage of this legislation is important to you.

Your letter could be the difference in whether we are able to pass H.R. 1094 and S. 459. Go to – <https://send-a-letter.org/hoa/> – and help us by sending your letters to your Representative and Senators.

For ease of access to <https://send-a-letter.org/hoa/> point your phones at:



Copyright © 2025 American Radio Relay League, Incorporated. Use and distribution of this publication, or any portion thereof, is permitted for non-commercial or educational purposes, with attribution. All other purposes require written permission.

ARRL The National Association for Amateur Radio®
225 Main Street, Newington CT, 06111-1400 USA
860-594-0200

www.arrl.org

As an ARRL Special Service Club, I, your editor, thought it was **IMPORTANT** that all our club members, and other readers of our newsletter, have the opportunity to read the above [ARRL Member Bulletin.](#)



L'Anse Creuse Amateur Radio Club

52nd Annual Swap & Shop

SUNDAY, SUNDAY, SUNDAY!

DECEMBER 7, 2025

See the flyer HERE

N8HAR should have flyers available at the October meeting, or contact him directly to get some flyers if you can't attend the meeting.

2025 LC Swap information and Schedule

Our LCARC hamfest/swap date (December 7) is fast approaching. To help “spread the word”, I am in the process of sending out over 4000 emails to hams in our area. Club members can help as well by mentioning the swap at club events, nets, other radio club nets/meetings, etc.

With all our collective “voices”, we can make this swap a success!

As in past years, I am asking for volunteers to help on Saturday, December 6 (time TBD), and of course, the day of the swap.

Swap Schedule:

Saturday, December 6, 2025 (time TBD)

Room setup (setup/arrange tables per layout) and kitchen setup

A few vendors will arrive to set up their areas.

Sunday, December 7, 2025

6 AM – Rick/K8RWM and Dave/W8WWP – help vendors park and direct them to main entrance

6 AM – Kitchen – Robin (Gregg/N8GEO), Elaine (Mike/N5WCS) ***Operate/manage the Kitchen*** activities.

6 AM – Dale/K8RO and Marty/K8HVI – help with the vendor intake at the main entrance

7 AM – John/N8FYL – food concessions cashier

7 AM – **Person TBD** – club table (stage) - hourly door prize announcements

7:30 AM – Ken/KD8RJN and Fritz/KE8BFW – sell admission/radio raffle tickets at the door

8 AM–noon – all others for various activities (club table, VE testing, etc.)

Thanks & 73,

Russ/N8HAR LCARC Swap Chairman



U.S.E.C.A.



Utica Shelby Emergency Communication Association

Hamfest Swap & Shop 2025

SUNDAY OCTOBER 19, 2025

8:00AM—1:00PM

Vendor setup starts at 6:30AM

VFW POST #1146 (BRUCE POST)

28404 E. JEFFERSON, St. Clair Shores, MI 48081

Utica Shelby Emergency Communications Association, Inc.
\$800 CASH First Prize
\$200 CASH Second Prize
Drawing at 3:00 pm, November 10, 2025
 18200 ARES, Southfield, MI, Contact: 480-4828

No. 001

WINNER NEED NOT BE PRESENT TO WIN

Raffle!

\$800 CASH First prize!

\$200 CASH Second prize!

Utica Shelby Emergency Communications Association, Inc.
\$800 CASH First Prize
\$200 CASH Second Prize
Drawing at 3:00 pm, November 10, 2025
 18200 ARES, Southfield, MI, Contact: 480-4828

No. 001

WINNER NEED NOT BE PRESENT TO WIN

**\$10/TICKET
3 FOR \$25!**

**\$10/TICKET
3 FOR \$25!**

Drawing to be held on November 10, 2025 at the USECA club meeting

Swap admission is \$5.00 (Children 12 and under are free)

Vendor tables are \$15.00 each and includes one admission ticket per vendor.

Table Reservations

Name _____ Call _____
 Email _____ Phone # _____
 Address _____
 City _____ State _____ Zip _____

of Tables _____ # of Admission Tickets _____
 Total Enclosed \$ _____
 Special Requests _____

Checks for table reservations & admission tickets should be made payable to:
USECA, PO Box 46331, Mt. Clemens, MI 48046

53rd FORT WAYNE HAMFEST & Computer Expo

Sponsored by Allen County Amateur Radio Technical Society



ARRL Representatives

Brent Walls N9BA
ARRL Central Division Director

Josh Long W9HT
ARRL Central Division Vice Director

Bob Burns AK9R
ARRL Indiana Section Manager

Ham Radio License Testing All Classes (\$14)
9 AM till 12 PM Saturday

WAS & DXCC Card Checking and CQ
Awards

Youth Lounge (under 12 accompanied by adult)

New & Used Ham Equipment Dealers
Main & Hourly Door Prizes

2 Rooms of Special Interest Forums All Day
Saturday

Talk-in Radio Frequency 146.880 (-) PL 141.3

Tables: Starting at \$35 Regular, \$55 Premium, \$40
Electricity

Drive Directly to Your Table for Setup

November 15 & 16 2025

SAT 9 AM to 4 PM
SUN 9 AM to 2 PM

Admission: \$10 Sat &
Sun (Weekend)
\$5 Sun only
Children under 12 free
(with adult)

Allen County
War Memorial Coliseum
4000 Parnell Ave
Fort Wayne, IN
73,000 sq. ft. all indoors
(Coliseum Parking \$8 per
vehicle)



Mobile Guide

Get the latest information at
www.fortwaynehamfest.com

www.facebook.com/FTWAYNEHAMFEST/



Hamfest General Questions:

Email: info@fwhamfest.com

Table Questions:

orders@fwhamfest.com

Mail: PO Box 10342, Fort Wayne,
IN 46851

Phone: (260) 579-2196

A Little Help Needed...

By John/N8FYL

It seems that in the September issue, I mis-identified a Field Day participant in a couple of the published photographs. I have been informed that this person I identified as “Ray/WB8NXR” (on pages 11 and 12) is in fact NOT Ray! However, I don’t know who that person is. Do you? If so, please [let me know \(n8fyl@arrl.net\)](mailto:n8fyl@arrl.net) so that I can set the record straight with an amended September issue saved in the archives.



Hmmmmm

How come we have anger management but not stupidity management?
You can be stupid, but I can’t be angry?
Your stupidity is probably why I’m angry in the first place!

2026 Hamvention Heads Up!

From Ted/K8EO

I know it's a long way off but I want everyone to know that the club will have hotel rooms for the Dayton Hamvention 2026 at the same place as in 2025, and the rates will be the same. More info to follow when the event gets closer.

Future Programs & Activities

Rick/K8RWM — Activities Manager

October 1, 2025	Regular membership meeting
October 4, 2025	Macomb County Siren Testing
November 1, 2025	Macomb County Siren Testing
November 5, 2025	Regular membership meeting
November 17, 2025	VE Testing Session at Tucker Senior Center
December 3, 2025	Regular membership meeting
December 6, 2025	Macomb County Siren Testing

L'Anse Creuse ARC Board Members – 2025

President

Dennis Jarzombek , N8MKG
 45985 Hollowoode Ln
 Macomb, MI 48044-4170
 586-838-8500
jarzombek@outlook.com

Treasurer

Gregg Crump, N8GEO
 29729 South River Rd
 Harrison Twp, MI 48045-3030
 586 738-2487
n8geo@arrl.net

Past President

Marty Folz, K8HVI
 40360 Ryan Rd
 Sterling Heights, MI 48310-1756
 586-268-0544
k8hvi@arrl.net

VP and President-Elect

Dale McGorman, K8RO
 2855 Norton Lawn
 Rochester Hills, MI 48307-4431
 248-852-9130
k8ro@arrl.net

ARRL Liaison

Hal Price, W8HJP
 1995 Shamrock Ln
 Marysville, MI 48040-2047
 586-419-9193
w8hjp011@gmail.com

Technical Officer

Doug Chauvin, N8PYN
 29112 Elmwood St.
 St Clair Shores, MI 48082-1616
 586 775-1891
n8pyn@yahoo.com

Secretary

Dennis Ruth, AC8JH
 53359 Mark Dr
 Shelby Twp, MI 48316-2374
 248-805-2409
ac8jh@arrl.net

Activities Manager

Rick Meech, K8RWM
 51660 Laurel Oak Ln
 Chesterfield, MI 48047-1422
 586-329-8572
rwmeech@gmail.com

Analog FM



LC Echo 2 Meter Repeater
 Yaesu DR-1X 147.080 MHz
 100 HZ PL

N8LC

Fusion Digital Only



LC Echo 70 cm Repeater
 Yaesu DR-1X 442.925 MHz
 100 HZ PL

Board Meeting Time and Location

Board Meetings are held on a Wednesday after the regular membership meeting at a date and time determined by the President. Board meetings will be held via Zoom video conferencing. Click [here](#) for the Zoom details. All club members are welcome to participate. Should a board meeting have a planned cancellation, this cancellation will be announced in the newsletter. Other updates may be posted on LcRadioClub@groups.io

Club Founder - Art Ellis W8PBO SK

Club Committee Chairmen

ARRL HF Awards Manager			Little Bay Awards	Dale McGorman	K8RO
ARRL HF Awards Assistant					
ARRL VHF/UHF Awards Manager			Membership Chairman	John Huber	N8FYL
Call Sign ID Tags	Gregg Crump	N8GEO	Net Points Manager	Tom Mathison	WU8C
Christmas Party	Mark Castiglione	N8REZ	Net Points Upgrade Awards	Clem Duval	W8VO
Club Apparel & Patches	Scott Hernalsteen	W8CQD	<i>The Tuned Circuit</i> email Distribution	John Huber	N8FYL
Club Call Trustee - N8LC	Marty Folz	K8HVI	Outgoing QSL Manager	Dale McGorman	K8RO
Code Proficiency Awards			QSL Cards	Dale McGorman	K8RO
Dayton Trip	Gregg Crump	N8GEO	Swap Chairman	Russ Price	N8HAR
Door Prizes—Buyer			<i>Tuned Circuit</i> Editor	John Huber	N8FYL
Door Prizes—Tickets	Mike Koenig	N5WCS	Volunteer Exams	Gregg Crump	N8GEO
Echo Repeater Trustee	Marty Folz	K8HVI	Webpage (www.n8lc.org)	Marty Folz	K8HVI
Field Day	Gregg Crump	N8GEO	Webpage Assistant		
Health & Welfare	Cheryl Jarzombek	N8MKF	Youth Forum (50/50) [Alternate]	Ralph Irish John Slobodnik	W8ROI N8NXW
Licensing Classes	TBD				

The Tuned Circuit

This publication of the L'Anse Creuse Amateur Radio Club is issued for the months of September through June of each year. We welcome any comments, concerns, corrections, congratulations, or complaints. Please submit such communications to the [Editor](#):

John H. Huber N8FYL
 Email: n8fyl@arrl.net or editor@n8lc.org
 Phone: (248) 740-2693

Submissions will be accepted in any of the standard PC formats. Microsoft Office, Libre Office, plain text, rich text, PDFs, and any type of image format. Unfortunately audio files and movies cannot be accepted, as they cannot be reproduced on paper, but links can be reproduced to these types of media if you'd like to provide a link.

VE Testing

The next LCARC 2025 test session dates are November 17, and at our 2025 swap on December 7.

Contact Gregg Crump
n8geo.ham@gmail.com

There are other testing opportunities available in our area according to the ARRL web site.

Go to <http://www.arrl.org/find-an-amateur-radio-license-exam-session>. Enter your Zip Code and the "within" distance, and click SEARCH.

Study Resources:

<https://hamstudy.org/> <- NEW 5/25

<https://study.affirmatech.com/>

<https://www.hamradiolicenseexam.com>

Online Practice Exams:

<https://www.eham.net/exams>

<https://www.qrz.com/hamtest/>

<http://www.hameducation.org/>

Morse Code Resources:

Learn CW Online <https://lcwo.net/>

<https://github.com/w7sst/MorseRunner>

<https://morsle.fun/> <— NEW 12/24

<http://www.g4fon.net>

<http://www.ac6v.com/morseaids.htm>



Upcoming Swaps

10/04/2025 - [2025 Kalamazoo Hamfest and Vintage Electronic Expo](#) **Saturday!**

Location: Kalamazoo, MI

Type: ARRL Hamfest

Sponsor: Kalamazoo Amateur Radio Club, Southwest Michigan Amateur Radio Team, Vintage Electronics Expo

Website: <http://www.kalamazoohamfest.org/>

[Learn More](#)

10/11/2025 - [Muskegon Color Tour Hamfest](#)

Location: Muskegon, MI

Type: ARRL Hamfest

Sponsor: Muskegon County Emergency Communication Services, Inc.

Website: <http://mcecs.net/Hamfest.htm>

[Learn More](#)

10/19/2025 - [U.S.E.C.A. Hamfest](#)

Location: St. Clair Shores, MI

Type: ARRL Hamfest

Sponsor: U.S.E.C.A. (Utica Shelby Emergency Communication Association)

Website: <http://usecaarc.org>

[Learn More](#)

11/15/2025 - 11/16/2025

[Fort Wayne Hamfest & Computer Expo](#)

Location: Fort Wayne, IN

Type: ARRL Hamfest

Sponsor: Allen County Amateur Radio Technical Society

Website: <https://www.fortwaynehamfest.com/>

[Learn More](#)

01/31/2026 **Saturday!** [Vintage Electronics Expo](#)

Location: Oakland Expo Center, Waterford, MI

Type: Antique Radio Sell & Swap

Sponsor: Michigan Antique Radio Club

Website: <https://www.thevee.org/>

02/21/2026 **Saturday!**

- [Livonia Amateur Radio Club Annual Swap & Shop](#)

Location: [Ward Church, Northville, MI](#) [Editor: **NEW Location!**]

Type: ARRL Hamfest

Sponsor: Livonia Amateur Radio Club

Website: <https://livoniaarc.com>

[Learn More](#)

03/15/2026 - [Toledo Mobile Radio Association Hamfest and Computer Fair](#)

Location: Perrysburg, OH

Type: ARRL Hamfest

Sponsor: Toledo Mobile Radio Association

Website: <http://www.w8hhf.org>

[Learn More](#)

L'Anse Creuse Amateur Radio Club Nets

Click the link above to open the Google Docs Net Control Schedule / Sign up Sheet

Local Time	NET	Mode	Frequency in MHz	First week	Second week	Third week	Fourth Week	Fifth Week
Monday evening:							Link to the Net Preamble	
20:00	15M	CW	21.165		Net is inactive. Seeking Net Control operators.			
20:30	15M	USB	21.395		Lito K8AJJ	Gregg N8GEO		
21:00	6M	USB	50.160	Gregg N8GEO	Russ N8HAR	Dale K8RO	Lito K8AJJ	
Tuesday evening:							Link to the Net Preamble	
21:00	2M	FM	147.08+	Sterling Heights CERT		2nd Tuesday of the month A LCARC sanctioned net run by the Sterling Heights CERT.		
Thursday evening:							Link to the Net Preamble	
19:30	10M	USB	28.435				Gregg N8GEO	
20:30	2M	FM	147.08+		Russ N8HAR	Gregg N8GEO	Tom WU8C	Fritz KE8BFW

Membership Request

Date: ___/___/_____

Request For:

___ \$20.00 LCARC Individual Membership
Are you a New Member? (Y / N)

___ \$30.00 LCARC Family Membership

___ \$2.00 LCARC Student Membership (Under 18 years of age)

___ Please update my membership information because it has changed.

I am an ARRL Member: (Y / N / Life)

Call sign: _____ Old Call Sign: _____ Street: _____

Name: _____ City: _____ State: _____

Nickname: _____ Zip: _____ - _____

Spouse: _____ 6 Character Grid Square (optional): _____

Phone: (_____) _____ - _____ Email Address: _____

(Please indicate your name above even if it hasn't changed, so we know who's giving us money and can mark that you've paid in our records.)

L'Anse Creuse Amateur Radio Club
Gregg Crump, N8GEO
29729 South River Rd
Harrison Twp MI 48045-3030

Only membership applications to go this address.. Make sure you use the full 9 digit zip code when mailing in your application.

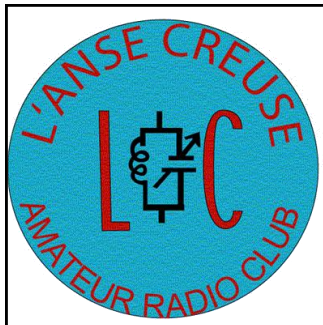
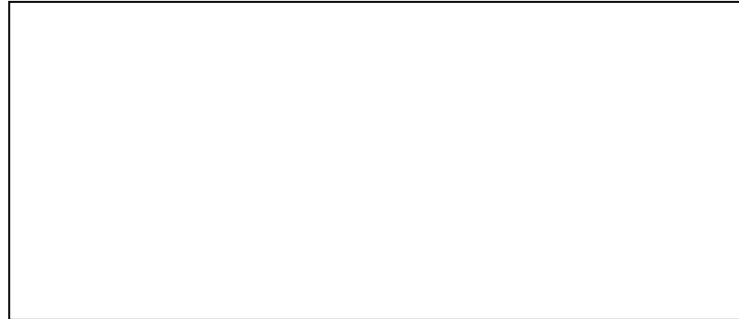
Treasurers Box
Date Paid: _____
Amount: _____
Initials: _____

Note: LCARC dues are from **Nov 1st to Oct 31st**
Class License (Circle One)

Technician General Advanced Extra

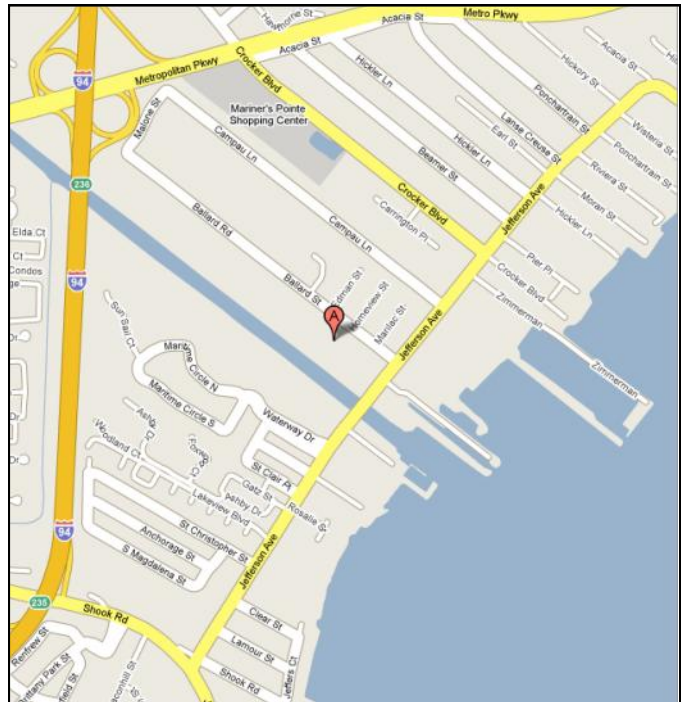
The Tuned Circuit
Monthly Bulletin of the
L'Anse Creuse Amateur Radio Club
29729 South River Rd
Harrison Twp, MI 48045-3030

First Class
Postage
+ Extra
Ounce



<http://www.n8lc.org>

E-mail: info@n8lc.org



The L'Anse Creuse Amateur Radio Club meets at 7:00 pm the first Wednesday of each month, except during July and August. Meetings are held at Tucker Senior Center located at [26980 Ballard St, Harrison Township, MI 48045](#) unless indicated otherwise in the most current issue of *The Tuned Circuit*. Call-in on the Echo Repeater (N8LC) on 147.08 MHz (+ 600 KHz, 100 Hz PL tone) for any meeting information, or to ask a member for the location of the meeting.