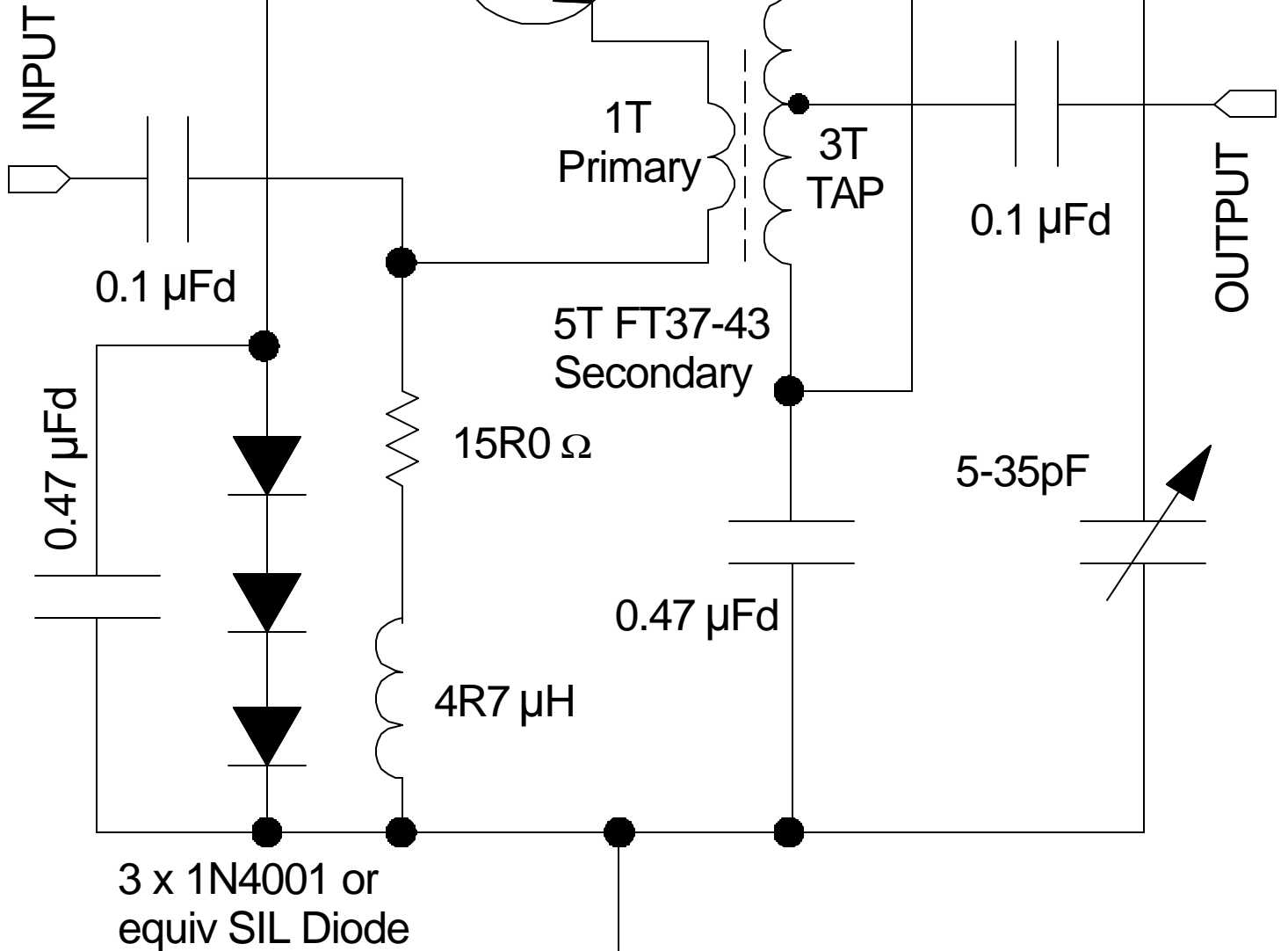


15 VDC 0.075A



NOTES:

- 1) TO5 Heatsink NECESSARY!!!
- 2) Gain: ~ 10dB
- 3) Third Order Intercept > 50 dBm
- 4) TAP is as shown: 3T from Vcc

TITLE:

A WideBand - High Level
2N5109 RF Amplifier

PAGE NR:
1 of 1

CONNECTIVE
COUNT:
n/a

VERSION:
2.0

FILENAME:
W-B_Hi-Lvl_RF_Amp

SECTION:
HR/RF Circuits

DATE:
2003 01 31

E. T. TANTON

N4XY