

# IC-7300 6/16/20 KH7O

[bracket] = hard button  
(parentheses)=soft button

1- INDEX this sheet

2-[MENU] button

3-[MENU](SET)(FUNCTION& CONNECTORS)

4-[MENU](SET)(CONNECTORS) same as in 3

5-[MENU](SET)(FUNCTION) same as in 3

6-(MODE)[FUNC]

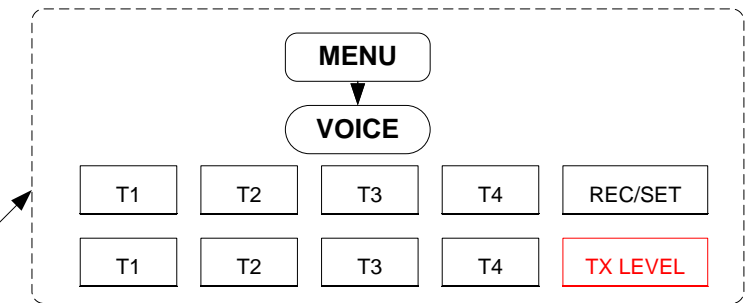
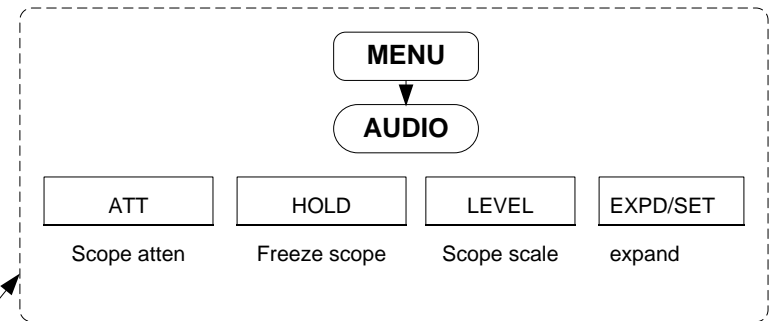
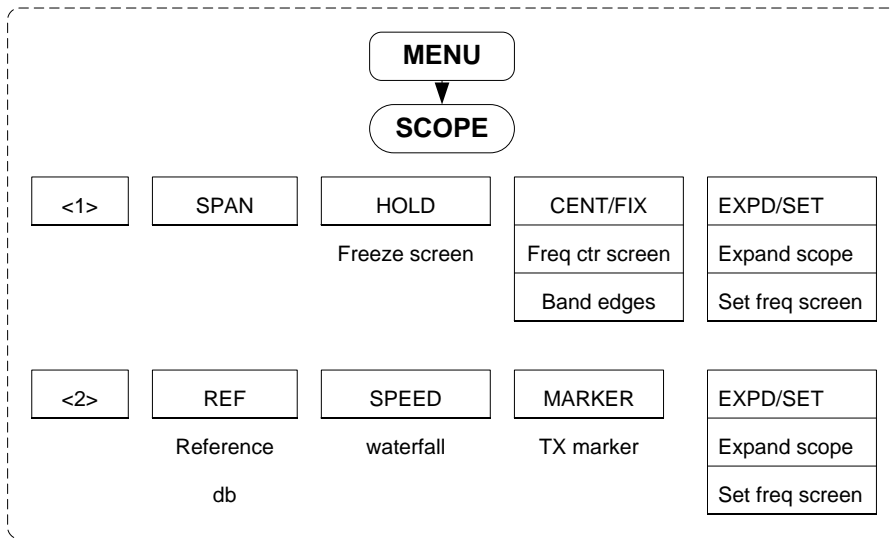
7-(USB)

8-[V/M]

9-ricks notes

10-MPAD

11-[MENU](MEMORY)



#### ◇ Setting Select Memory channel

1. Open the SCAN screen.  
① See steps 1 ~ 2 in "Memory scan operation" (p.10-4) for details.
2. Push ▲ or ▼ to select the desired Memory channel to be set as the Select Memory channel.
3. Touch [SELECT] to set the Select scan number.  
① Each time you touch [SELECT], "★1," "★2," "★3," and "no icon" are alternately displayed.
4. To close the SCAN screen, push [EXIT].

#### ◇ Select Memory scan operation

1. Start the Memory scan.  
① See steps 1 ~ 3 in "Memory scan operation" (p.10-4) for details.
2. While scanning, touch [SEL No.] to select the Select scan number.  
① Each time you touch [SEL No.], "★1," "★2," "★3," and "★1,2,3" are alternately displayed.  
★1: Channels specified as ★1 are scanned.  
★2: Channels specified as ★2 are scanned.  
★3: Channels specified as ★3 are scanned.  
★1,2,3:  
Channels specified as ★1, ★2, or ★3 are scanned.
3. While scanning, touch [SELECT] to switch to the Select Memory scan.

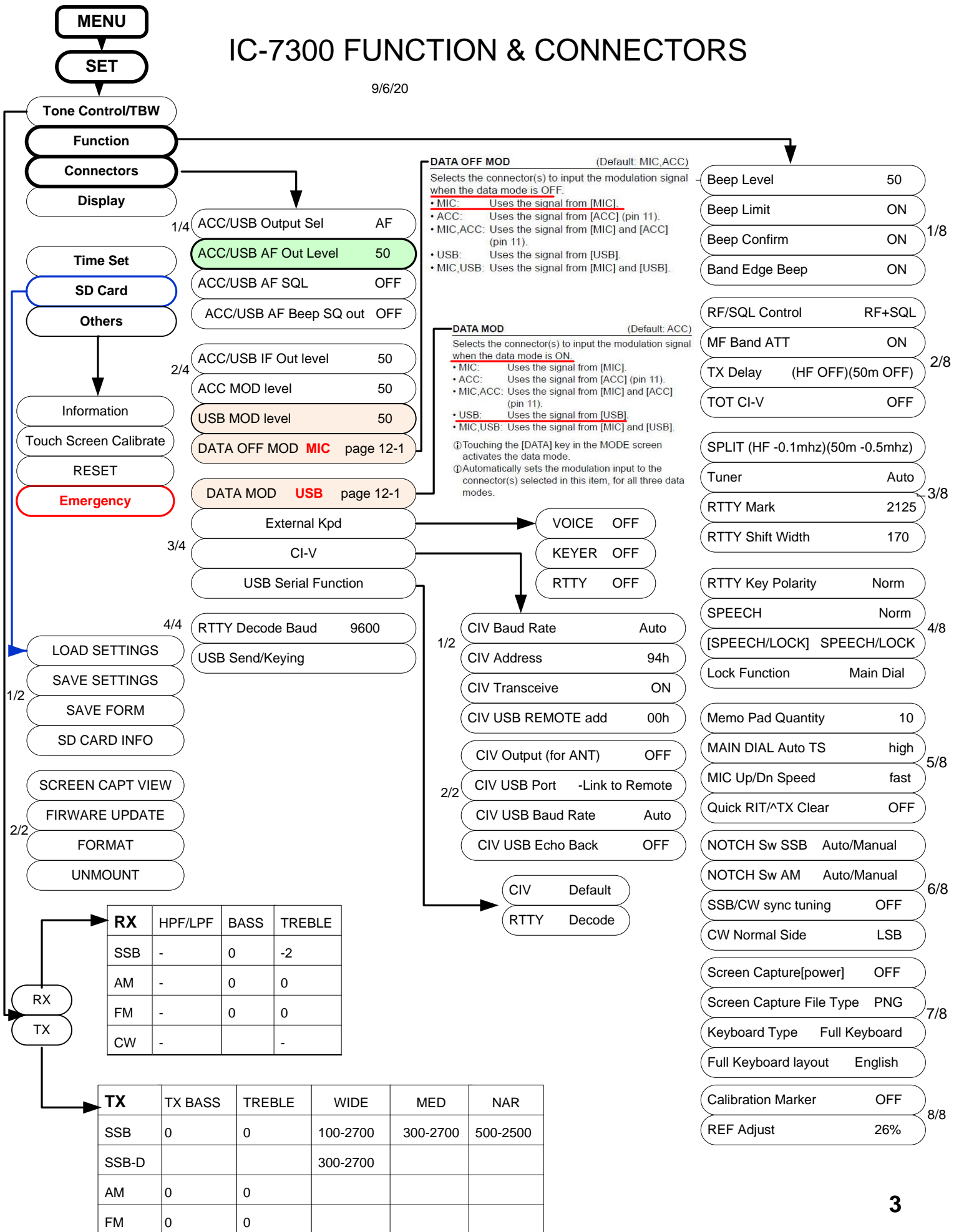


See separate  
page MENU SET

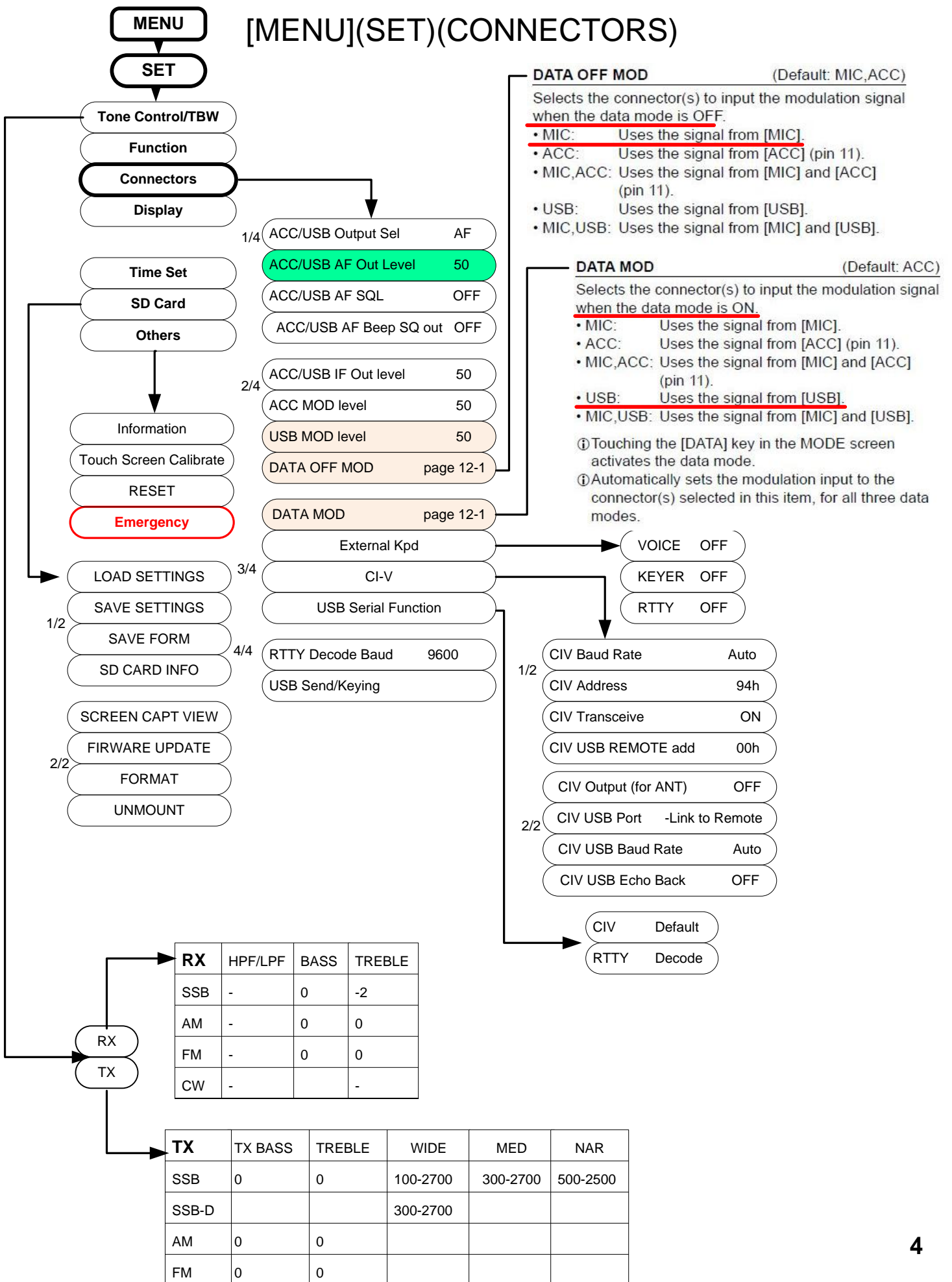
[MENU BUTTON]

# IC-7300 FUNCTION & CONNECTORS

9/6/20



# [MENU](SET)(CONNECTORS)



# [MENU](SET)(FUNCTION)

MENU

SET

Tone Control/TBW

Function

Connectors

Display

Time Set

SD Card

Others

Information

Touch Screen Calibrate

RESET

Emergency

LOAD SETTINGS

SAVE SETTINGS

SAVE FORM

SD CARD INFO

SCREEN CAPT VIEW

FIRMWARE UPDATE

FORMAT

UNMOUNT

RX	HPF/LPF	BASS	TREBLE
SSB	-	0	-2
AM	-	0	0
FM	-	0	0
CW	-		-

TX	TX BASS	TREBLE	WIDE	MED	NAR
SSB	0	0	100-2700	300-2700	500-2500
SSB-D			300-2700		
AM	0	0			
FM	0	0			

Beep Level 50

Beep Limit ON

Beep Confirm ON

Band Edge Beep ON

RF/SQL Control RF+SQL

MF Band ATT ON

TX Delay (HF OFF)(50m OFF)

TOT CI-V OFF

SPLIT (HF -0.1mhz)(50m -0.5mhz)

Tuner Auto

RTTY Mark 2125

RTTY Shift Width 170

RTTY Key Polarity Norm

SPEECH Norm

[SPEECH/LOCK] SPEECH/LOCK

Lock Function Main Dial

Memo Pad Quantity 10

MAIN DIAL Auto TS high

MIC Up/Dn Speed fast

Quick RIT/^TX Clear OFF

NOTCH Sw SSB Auto/Manual

NOTCH Sw AM Auto/Manual

SSB/CW sync tuning OFF

CW Normal Side LSB

Screen Capture[power] OFF

Screen Capture File Type PNG

Keyboard Type Full Keyboard

Full Keyboard layout English

Calibration Marker OFF

REF Adjust 26%

1/8

2/8

3/8

4/8

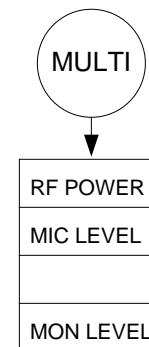
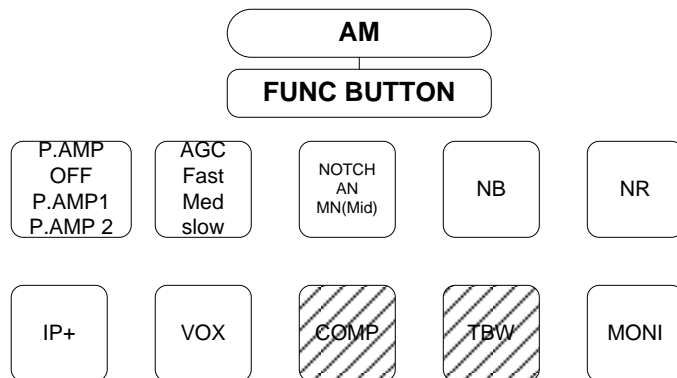
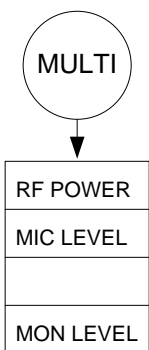
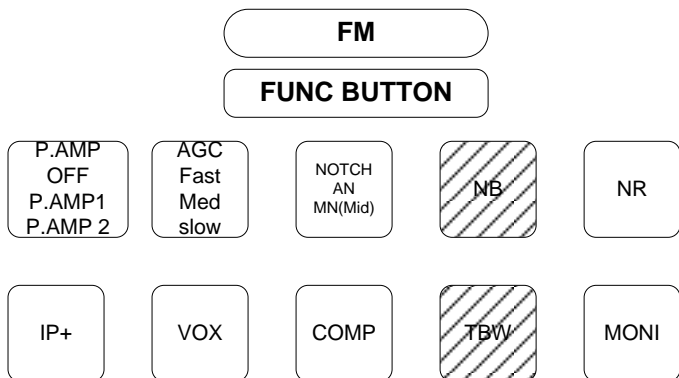
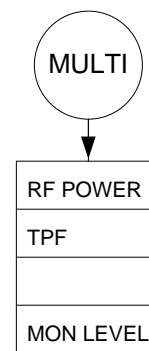
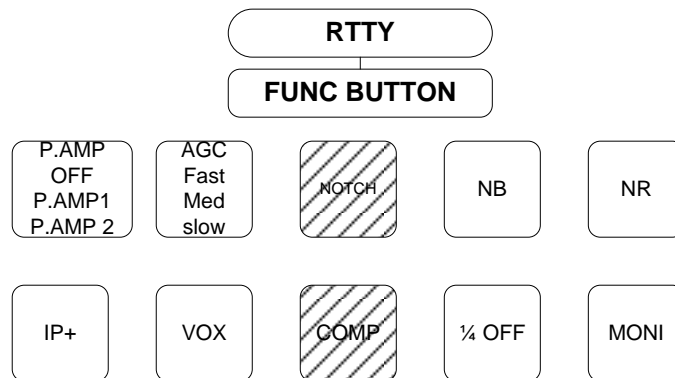
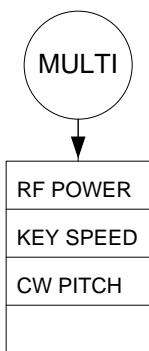
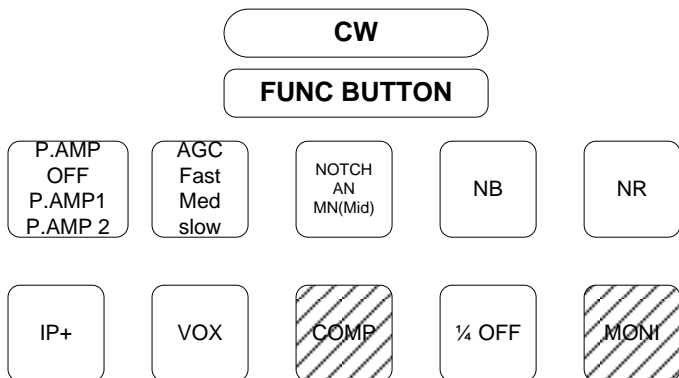
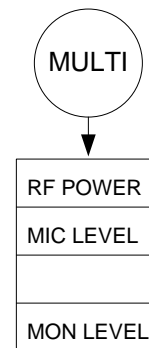
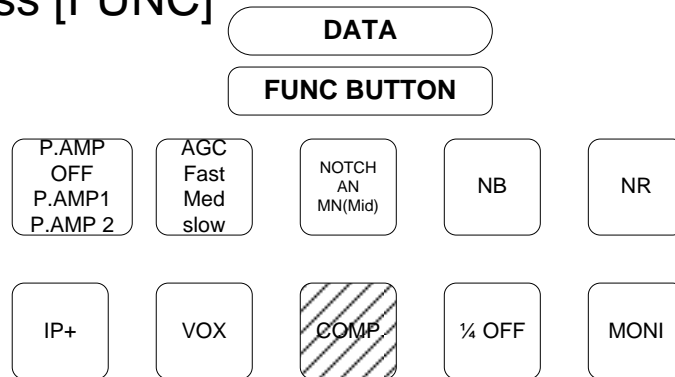
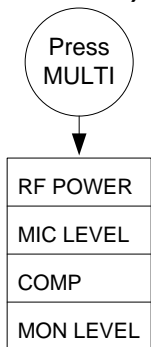
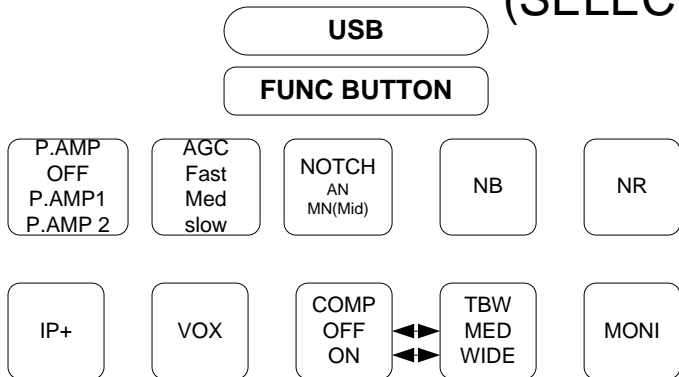
5/8

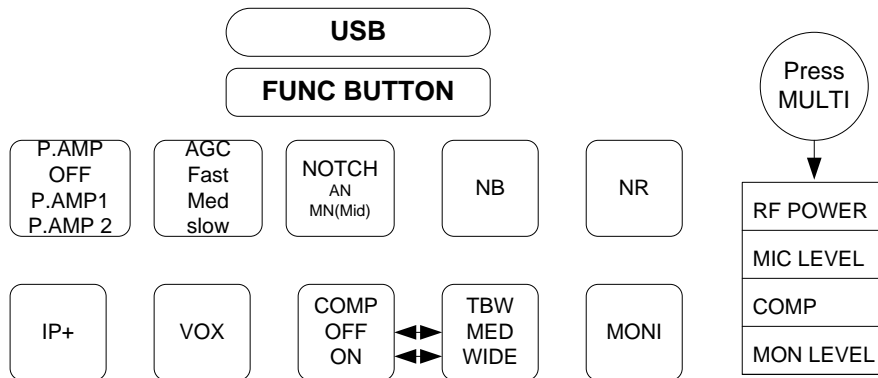
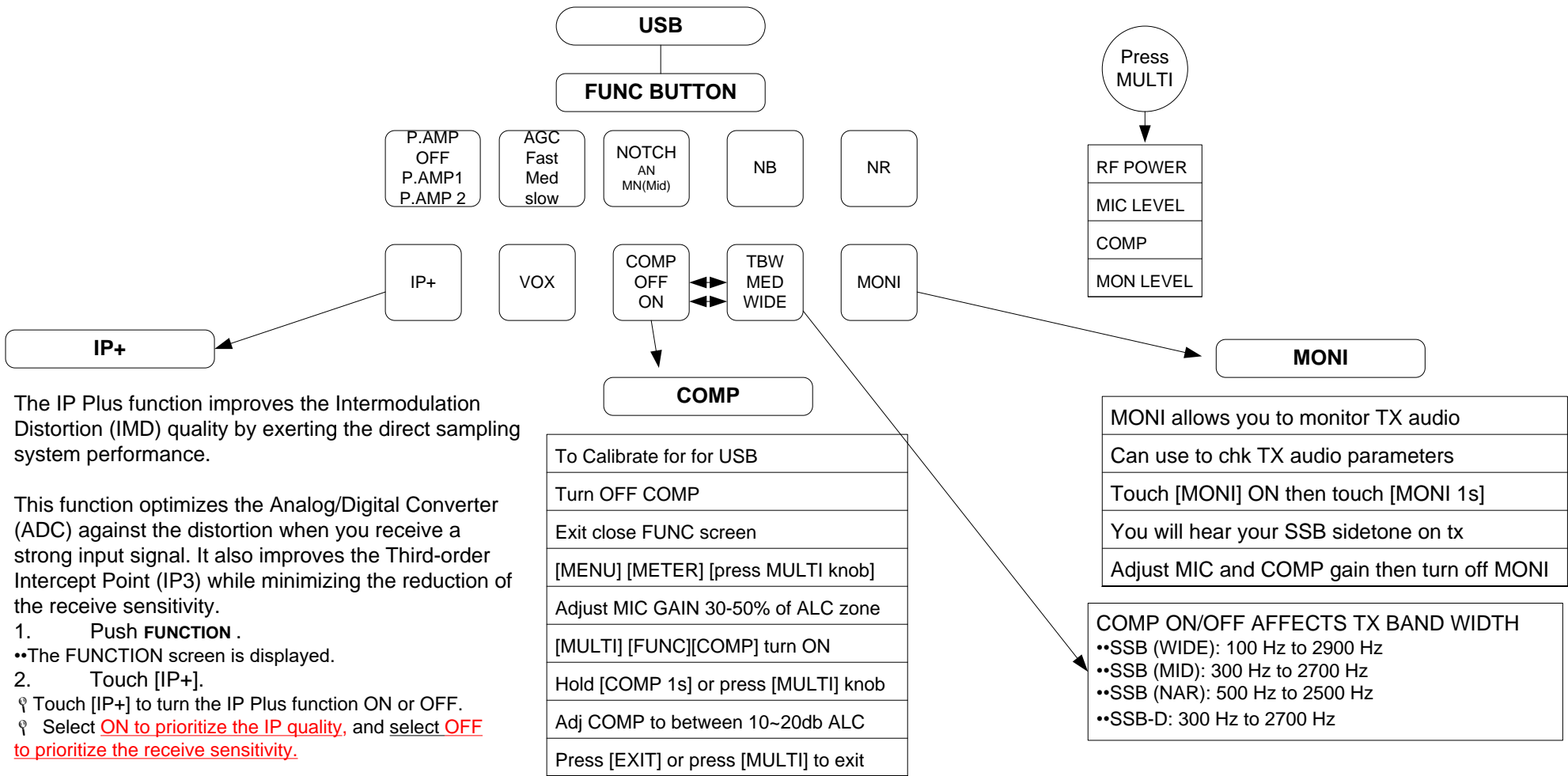
6/8

7/8

8/8

(SELECT MODE) then press [FUNC]





NOTES ICOM IC7300 5/16/20

(XXXX)=Screen touch

[XXXX]=Press hard key

[MENU](SCOPE) (EXPD/SET) or [MENU](AUDIO) (EXPD/SET) when in EXPD mode cannot select (MEMO channel) must touch (EXPD/SET) to reduce or [EXIT]

Main screen will only toggle 2 different modes when any submenu is ON therefore [EXIT] (MODE) (select MODE). If swtiching between DATA and VOICE must toggle (DATA) mode off then will be able to touch (MODE) to get (USB) or (LSB) voice mode.

[V/M] toggles VFO/MEMORY not the same as [MENU] (MPAD) memories. [MPAD] stores memories temporary scratch pad

[MENU][SET][Others][Reset] if you have to wash the radio to original default

USB-D for FT8 mode	
40M	7074
30m	10.136
20m	14.074
17m	18.100
15m	21.074
15m	21.091

STORE VFO TO MEMORY CH
Use [ ^ v ] to select channel
Touch chnl number
Hold [MW] until 2 beeps

SELECTING STORED MEMORY CH
Press [V/M] VFO to MEMO
Use [ ^ v ] arrows to select MEMO CH

FILTER 1 FOR FT8
Hold FILT 1 till screen opens

Mode	IF filter	Selectable range (steps)
SSB	FIL 1 (3.0 kHz)	50Hz to 500Hz (50 Hz)/ 600Hz to 3.6kHz (100 Hz)
	FIL 2 (2.4 kHz)	
	FIL 3 (1.8 kHz)	
SSB-D	FIL 1 (3.0 kHz)	50Hz to 500Hz (50 Hz)/ 600Hz to 3.6kHz (100 Hz)
	FIL 2 (1.2 kHz)	
	FIL 3 (500 Hz)	





>MPAD round button for quick memo frequency/mode/filter in a shift register up to 10 slots. It is not part of the Channel Memories.

>MPAD press quick toggles the Memo slots "no indicators no icons show this on main screen"

>MPAD press hold till 2 beeps stores in the next slot. Up to 10 slots shift register style FIFO and does NOT show on main display

[MENU](MPAD) brings up MEMO PAD list

>to DELETE press DEL until option comes up, same with DEL ALL

[MENU](MEMORY)

> to select memory use ^ v arrows or rotate MULTI or VFO knob or touch freq area of another memory channel

“highlighted memory is what is active on main screen on radio”

“Touch left side under ch number and \*1, \*2, \*3 tagged “