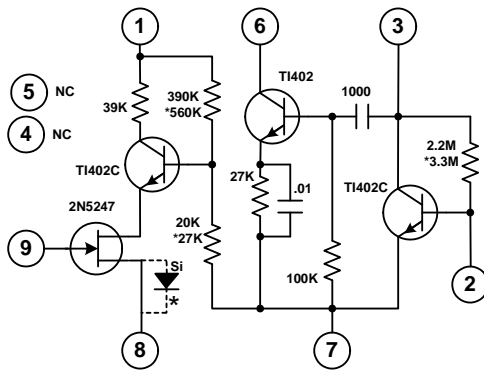
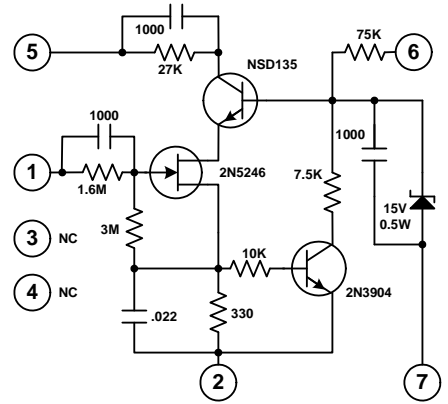


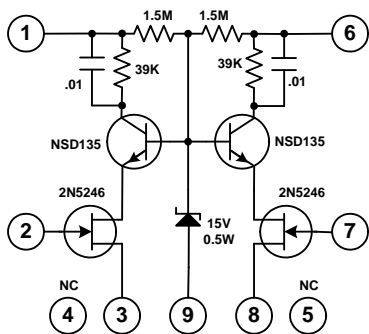
ST301 / V1



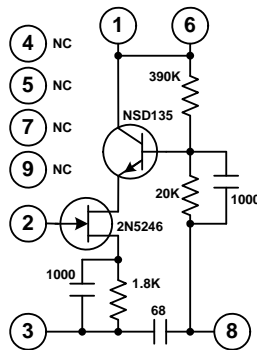
**ST302 / V2
ST302B / V2***



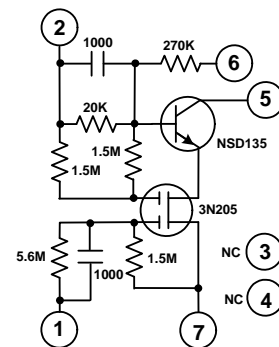
ST303 / V3



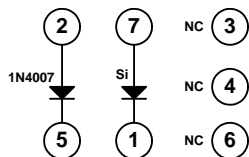
ST304 / V4



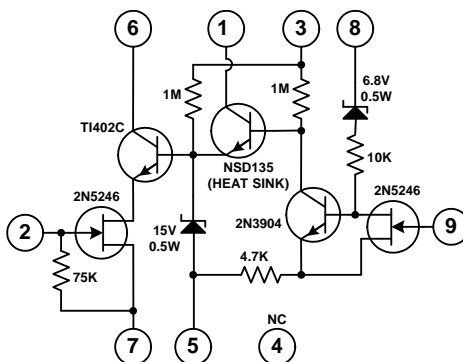
ST305 / V5



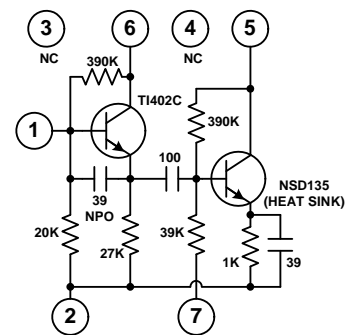
ST306 / V6



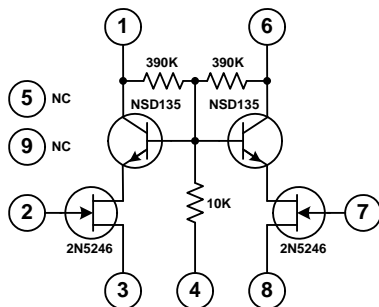
ST310 / V10



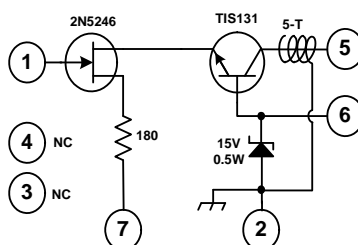
ST311 / V11



ST312 / V12

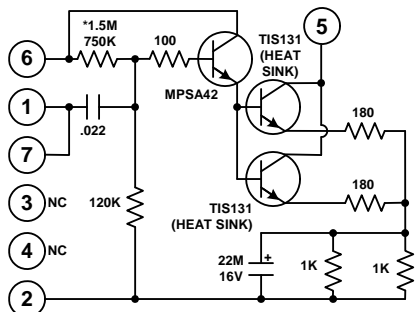


ST314 / V14

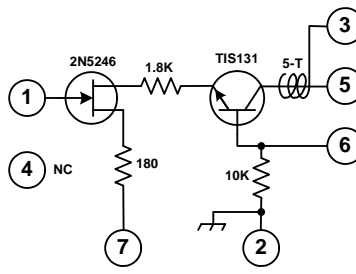


ST315 / V301

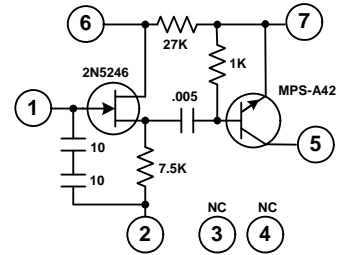
**SKYTEC
TUBESTERS
FOR 32S3 SERIES
TRANSMITTERS --
"AS FOUND"
KH6GRT**



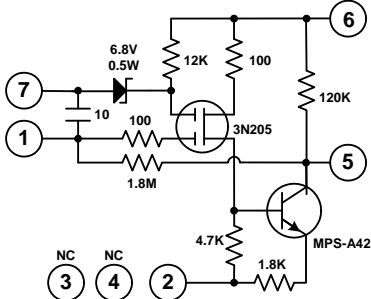
ST101A / V8S1 / V10S3
ST101B / V10 S-3B/C*



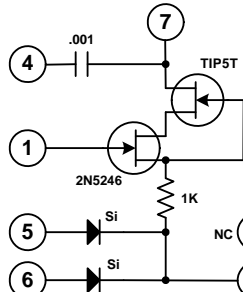
ST102 / V301



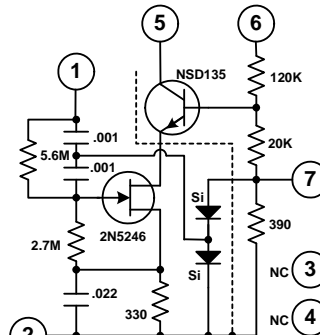
ST103 / V9S1 / V1S3



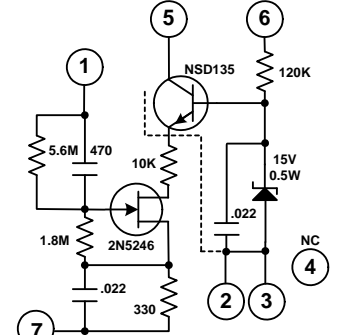
ST104 / V11S3



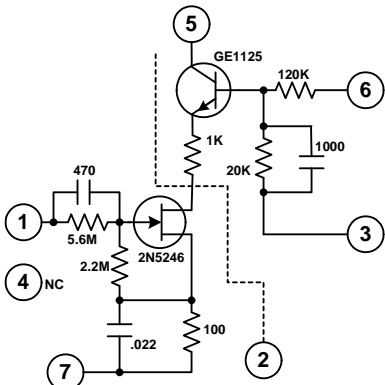
ST105 / V7S1 / V9S3



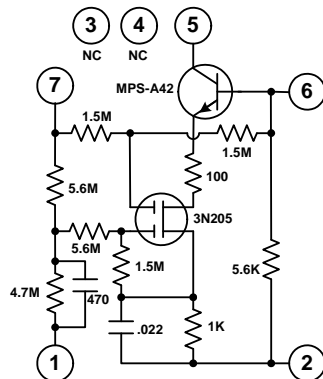
ST106-A3 / V6S3



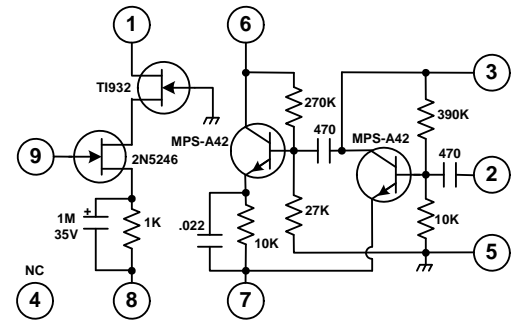
ST106B / V6 S-3B/C



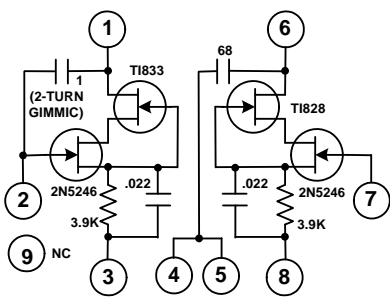
ST107 / S5V1 / V7S3



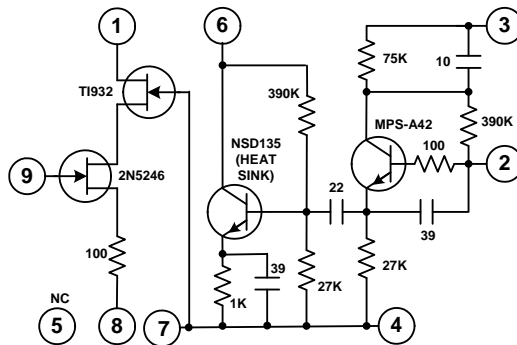
ST108 / V1S1 / V2S3



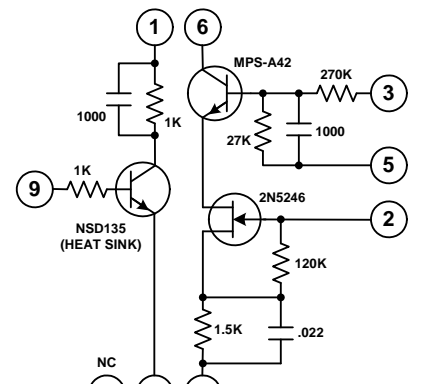
ST201 / V6S1 / V8S3



ST202 / V5S3



ST203 / V2S1 / V3S3



ST204 / V3S1 / V4S3

SKYTEC TUBESTERS FOR 75S SERIES
 RECEIVERS -- "AS FOUND"

KH6GRT