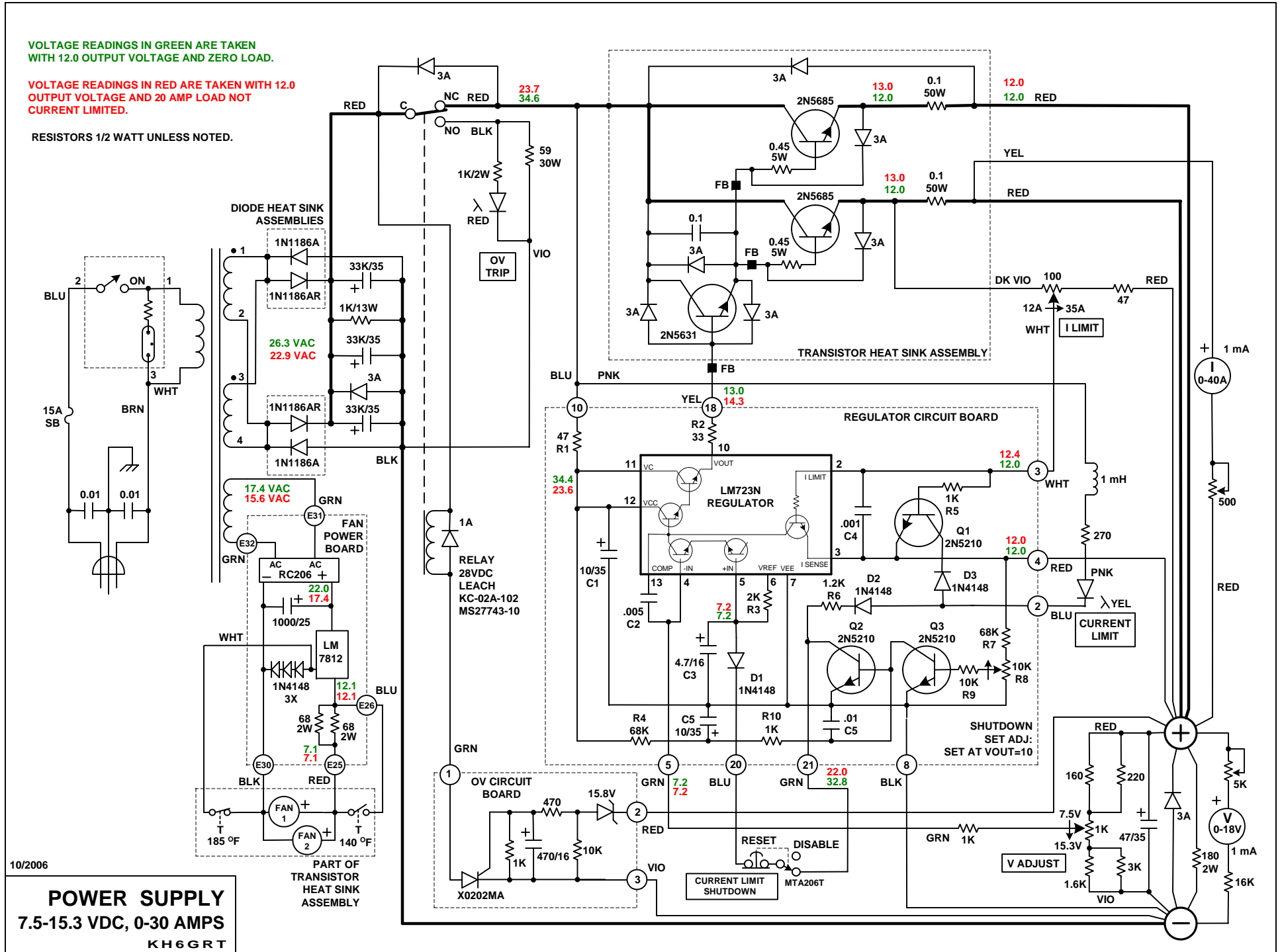


VOLTAGE READINGS IN GREEN ARE TAKEN WITH 12.0 OUTPUT VOLTAGE AND ZERO LOAD.

VOLTAGE READINGS IN RED ARE TAKEN WITH 12.0 OUTPUT VOLTAGE AND 20 AMP LOAD NOT CURRENT LIMITED.

RESISTORS 1/2 WATT UNLESS NOTED.



10/2006

**POWER SUPPLY**  
**7.5-15.3 VDC, 0-30 AMPS**  
**KH6GRT**