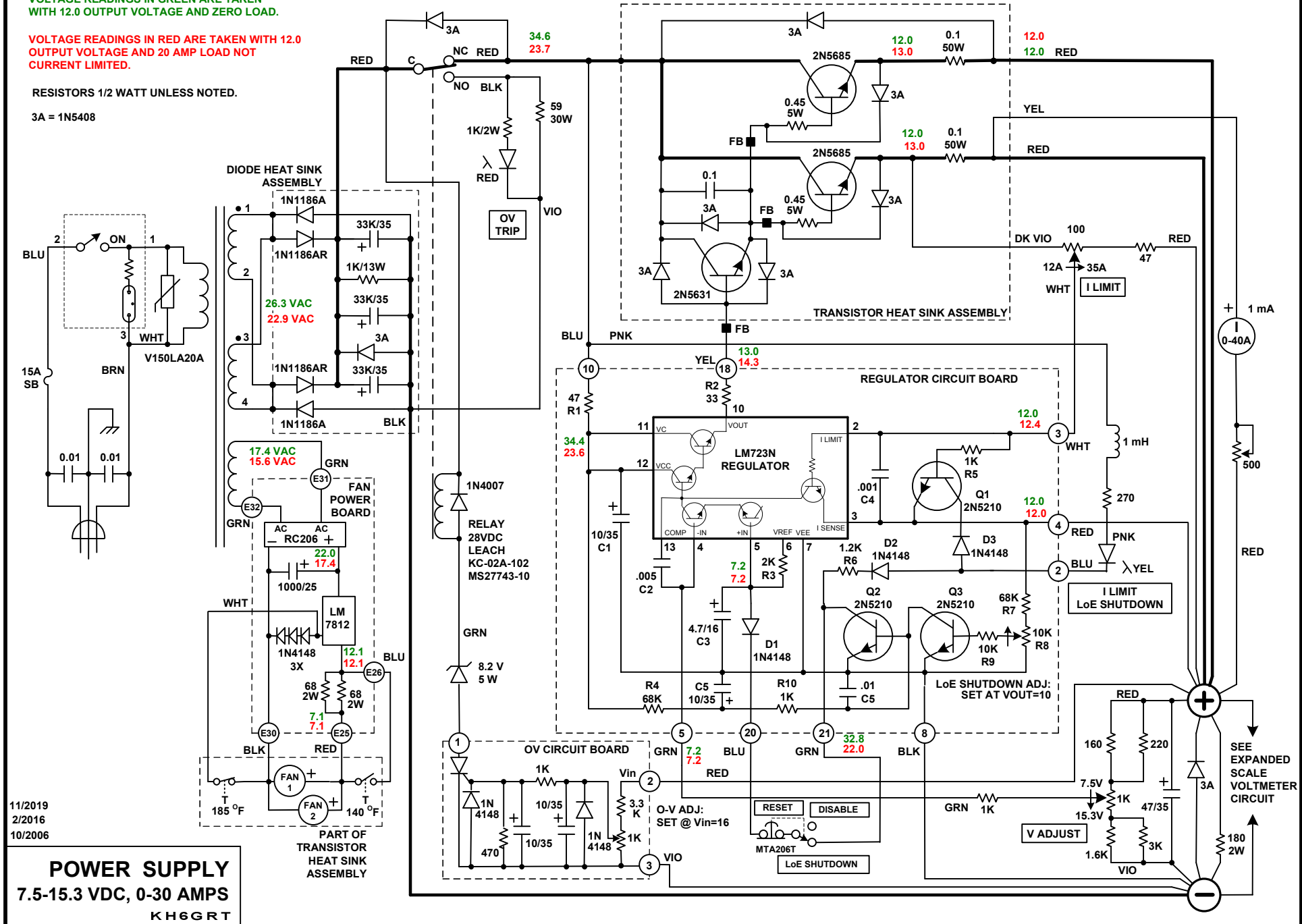


VOLTAGE READINGS IN GREEN ARE TAKEN WITH 12.0 OUTPUT VOLTAGE AND ZERO LOAD.

VOLTAGE READINGS IN RED ARE TAKEN WITH 12.0 OUTPUT VOLTAGE AND 20 AMP LOAD NOT CURRENT LIMITED.

RESISTORS 1/2 WATT UNLESS NOTED.

3A = 1N5408



11/2019
2/2016
10/2006

POWER SUPPLY
7.5-15.3 VDC, 0-30 AMPS
KH6GRT

PART OF
TRANSISTOR
HEAT SINK
ASSEMBLY

SEE EXPANDED
SCALE
VOLTMETER
CIRCUIT